

STANDARD RECOVERY, MEDIUM CURRENT CENTER TAP AND DOUBLER RECTIFIER ASSEMBLIES

QUICK REFERENCE DATA

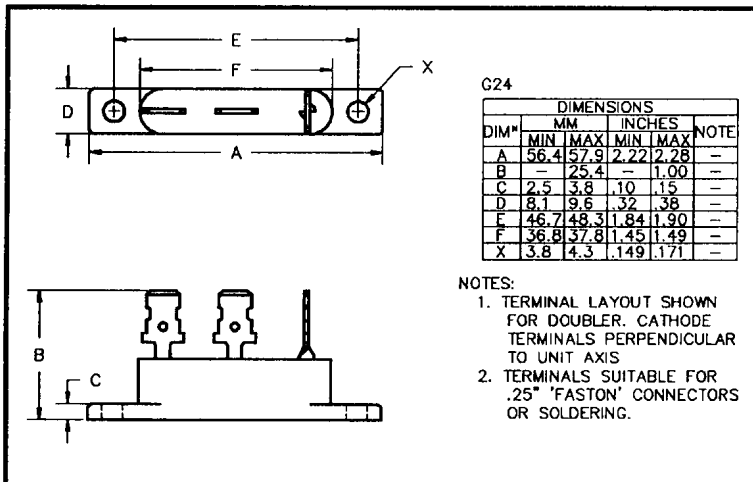
- Low forward voltage drop
- Low reverse leakage current
- Aluminum case
- Low thermal impedance
- Universal 3-way terminals

- $V_R = 50V - 600V$
- $I_F = 15A$
- $I_R = 1.0 \mu A$
- $V_F = 1.0V$

ABSOLUTE MAXIMUM RATINGS

| Device Type | Working Reverse Voltage V_{RWM} | Average Rectified Current | | | | | | 1 Cycle Surge Current $t_p = 8.3mS$ | | Repetitive Surge Current |
|---------------|--------------------------------------|---------------------------|-------|-------|-------------------------|------|-------|--|-------|--------------------------|
| | | (@ case temperature) | | | (@ ambient temperature) | | | 25°C | 100°C | 25°C |
| | | 55°C | 100°C | 125°C | 25°C | 55°C | 100°C | | | |
| Volts | Amps | Amps | Amps | Amps | Amps | Amps | Amps | Amps | Amps | |
| SCDA05 | 50 | ↑ | ↑ | ↑ | ↑ | ↑ | ↑ | ↑ | ↑ | ↑ |
| SCDA1 | 100 | ↑ | ↑ | ↑ | ↑ | ↑ | ↑ | ↑ | ↑ | ↑ |
| SCDA2 | 200 | 7.5 | 5.0 | 2.5 | 2.5 | 2.0 | 1.25 | 150 | 100 | 25 |
| SCDA4 | 400 | ↓ | ↓ | ↓ | ↓ | ↓ | ↓ | ↓ | ↓ | ↓ |
| SCDA6 | 600 | ↓ | ↓ | ↓ | ↓ | ↓ | ↓ | ↓ | ↓ | ↓ |
| SCNA05 SCPA05 | 50 | ↑ | ↑ | ↑ | ↑ | ↑ | ↑ | ↑ | ↑ | ↑ |
| SCNA1 SCPA1 | 100 | ↑ | ↑ | ↑ | ↑ | ↑ | ↑ | ↑ | ↑ | ↑ |
| SCNA2 SCPA2 | 200 | 15.0 | 10.0 | 5.0 | 5.0 | 4.0 | 2.5 | 150 | 100 | 25 |
| SCNA4 SCPA4 | 400 | ↓ | ↓ | ↓ | ↓ | ↓ | ↓ | ↓ | ↓ | ↓ |
| SCNA6 SCPA6 | 600 | ↓ | ↓ | ↓ | ↓ | ↓ | ↓ | ↓ | ↓ | ↓ |

MECHANICAL



Maximum thermal impedance
 $R_{\theta JC} = 4^{\circ}C/W$

www.DataSheet4U.com
January 9, 1998

ELECTRICAL CHARACTERISTICS (ratings apply per leg)

| Device Type | Reverse Current @ V_{RWM} | | Maximum Forward Voltage $V_F @ 3.0A @ 25^\circ C$ | Maximum Reverse Recovery Time ¹ |
|---|-----------------------------|----------|---|--|
| | @ 25 °C | @ 100 °C | | |
| | μA | μA | Volts | μS |
| SCDA05 SCDA1 SCDA2 SCDA4 SCDA6 | 1.0 | 20 | 1.0 | 2.0 |
| SCNA05 SCPA05 SCNA1 SCPA1 SCNA2 SCPA2 SCNA4 SCPA4 SCNA6 SCPA6 | 1.0 | 20 | 1.0 | |

¹ Measured on discrete devices prior to assembly

Operating temperature range -55 °C to +150 °C
Storage temperature range -55 °C to +150 °C

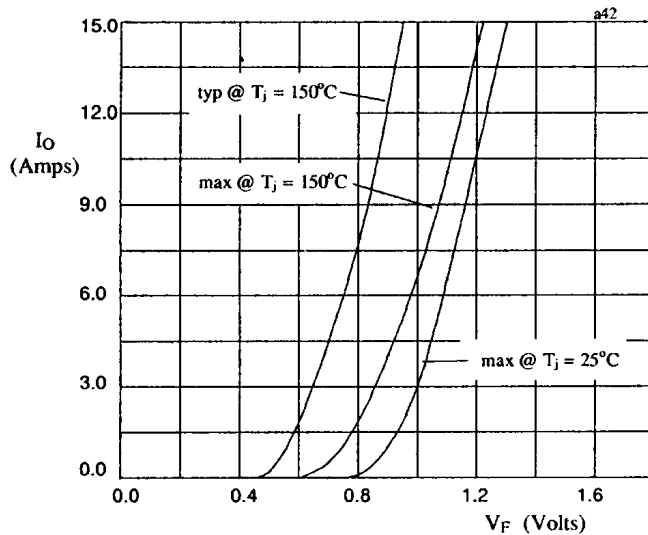


Fig 1. Forward voltage drop against current (per leg)

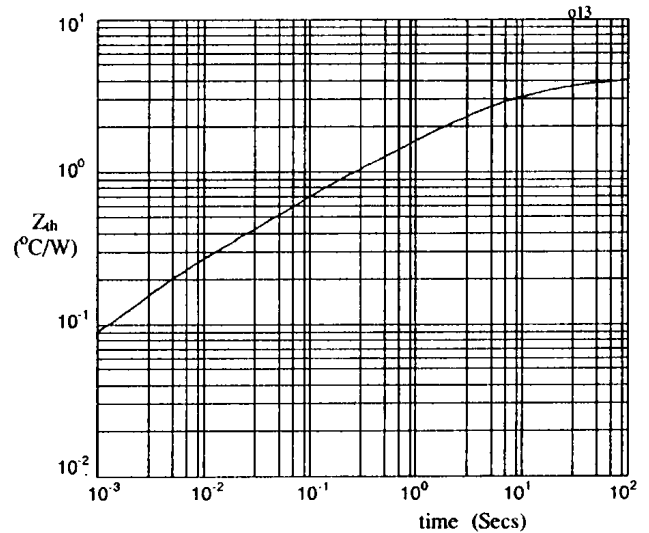


Fig 2. Transient thermal impedance characteristic per leg