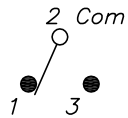


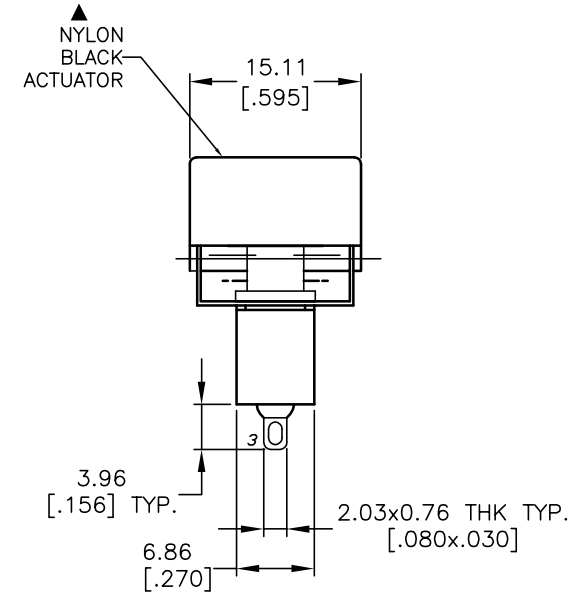
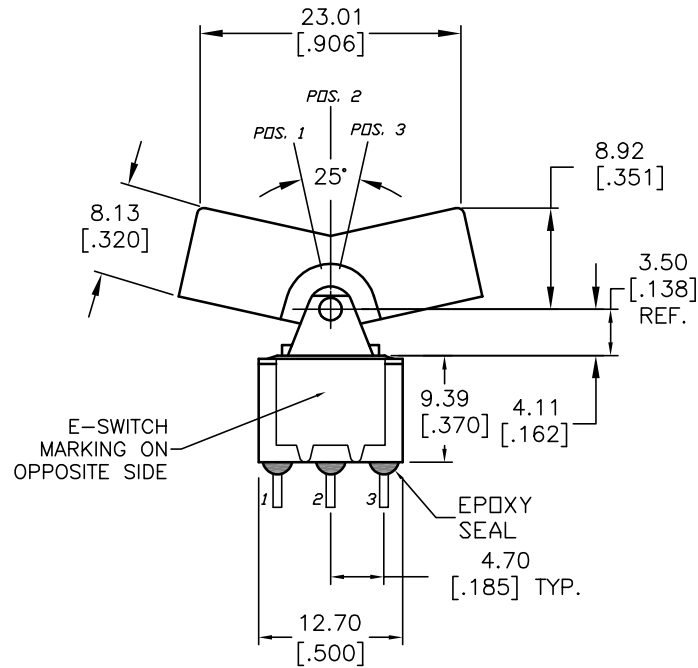
RECOMMENDED PCB LAYOUT
NOT TO SCALE



CIRCUIT: SPST

SWITCH FUNCTION		
PDS. 1	PDS. 2	PDS. 3
DN	OFF	<DN>
2-3	OPEN	2-1

<DN> = MOMENTARY



NOTES:

1. ALL DIMENSIONS IN MM [INCH]
2. GENERAL TOLERANCE: X.X=±0.4
X.XX=±0.25
3. TERM. NOS. FOR REF. ONLY
4. RATING: 5A @120VAC or 28VDC
2A @250VAC
5. MATERIAL: FIXED TERMINAL & MOVING CONTACT
Copper Alloy w/Silver plate
6. CONTACT RESISTANCE: 10mILLI Ohms max initial
@2-4VDC, 100mA for AG & AU
7. ELECTRICAL LIFE: 50,000 make-and-break
cycles at full load.
8. INSULATION RESISTANCE: 1,000M ohm min.
9. DIELECTRIC STRENGTH: 1000V RMS @sea level
10. OPERATING TEMP.: -30°C to 85°C

E-SWITCH®

TITLE

300SP5J3BLKM1QE

SCALE

1.5:1

DATE

4/15/04

DR

AR

DWG

T315008

REV

A

THE INFORMATION CONTAINED IN THIS DOCUMENT
IS PROPRIETARY TO E-SWITCH AND IS
NOT TO BE COPIED OR TRANSFERRED

A	13917	RELEASED FOR PRODUCTION	4/15/04	AR
REV.	ECN No.	DESCRIPTION	DATE	CHKD