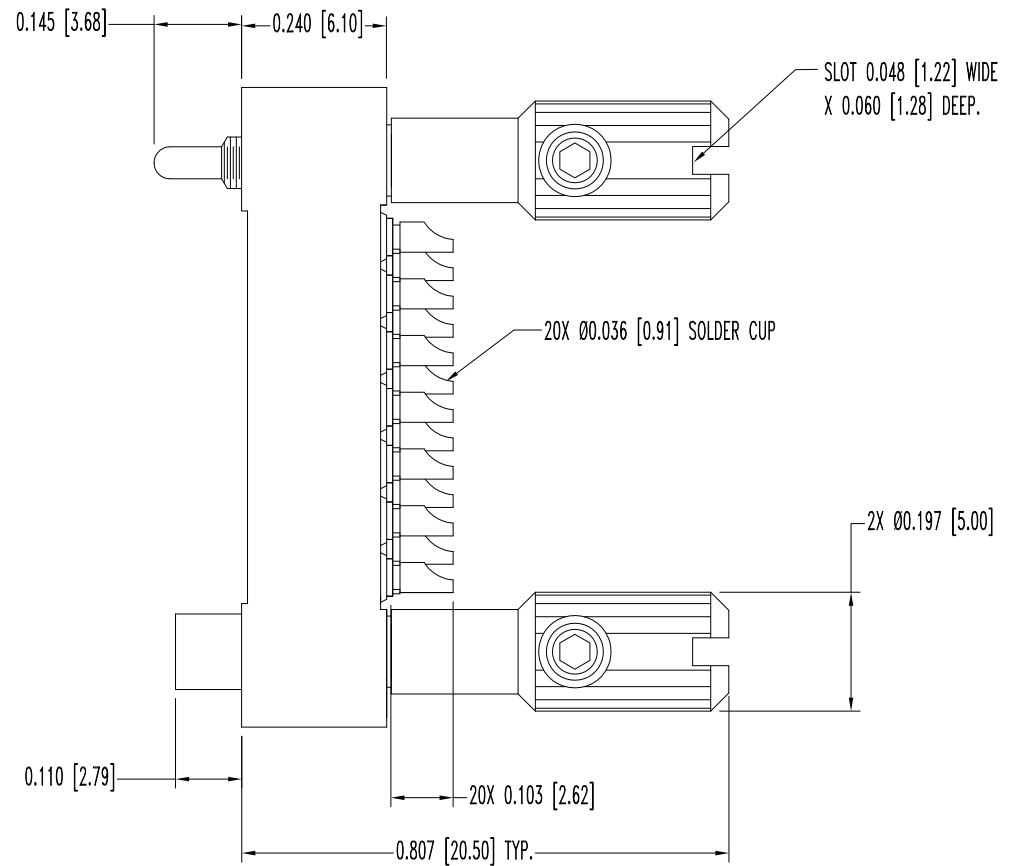
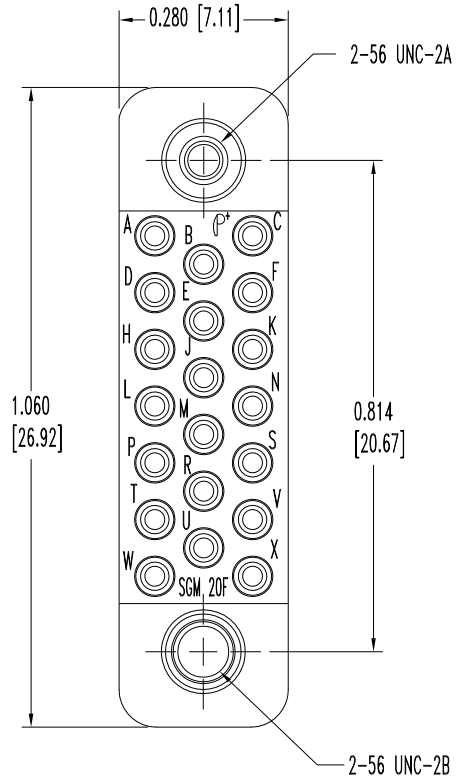


SK1671

THIS DRAWING CONTAINS INFORMATION PROPRIETARY TO POSITRONIC AND ITS SUBSIDIARIES. POSITRONIC BELIEVES THE DATA ON THIS DRAWING TO BE RELIABLE, SINCE THE TECHNICAL INFORMATION IS GIVEN FREE OF CHARGE, THE USER EMPLOYS SUCH INFORMATION AT HIS OWN DISCRETION AND RISK. POSITRONIC ASSUMES NO RESPONSIBILITY FOR RESULTS OBTAINED OR DAMAGES INCURRED FROM USE OF SUCH INFORMATION IN WHOLE OR IN PART.

DATE	REV	REVISION RECORD	APP	DR	CK
8-21-08	A	ECO 29893	TK	YK	TK



1. MATERIALS AND FINISHES:

- INSULATOR: GLASS FILLED DAP PER ASTM-D-5948 TYPE SDG-F, COLOR GRAY.
- CONTACTS: COPPER ALLOY, 0.000015 [0.38µ] GOLD OVER NICKEL FINISH.
- JACKSCREWS: STAINLESS STEEL, PASSIVATED.
- KNOBS: ALUMINUM, YELLOW ANODIZE.
- SET SCREWS AND WASHERS: STAINLESS STEEL, PASSIVATED.

2. ELECTRICAL CHARACTERISTICS:

- CONTACT CURRENT RATING: 5 AMPS MAXIMUM.
- INITIAL CONTACT RESISTANCE: 0.012 OHMS MAXIMUM.
- INSULATION RESISTANCE: 5 G OHMS MINIMUM.
- WORKING VOLTAGE: 250 V.AC [rms]

3. WORKING TEMPERATURE: -55°C TO +135°C.

4. DIMENSIONS ARE IN INCHES [MILLIMETERS].

	POSITRONIC INDUSTRIES INC. www.connectpositronic.com		FSCM 28198
	DECIMAL TOL. ±0.015 [0.38]	SGM SERIES	SCALE N.T.S.
ANGULAR TOL. ±5°	DATE 8-21-08	DRAWING NUMBER SK1671	APPROVED BY T KEPLEY
TITLE SGM20FSC0000		REV. A	