



P/N: TSB20L DATA SHEET

Feature



- Designed to meet IEEE 802.3u requirement, including 350uH OCL with 8mA bias.
- Add bead core for meet IEEE 802.3u requirement.
- Operating temperature range: 0°C to +70°C.
- Storage temperature range: -25°C to +125°C.

Electrical Specifications @ 25°C

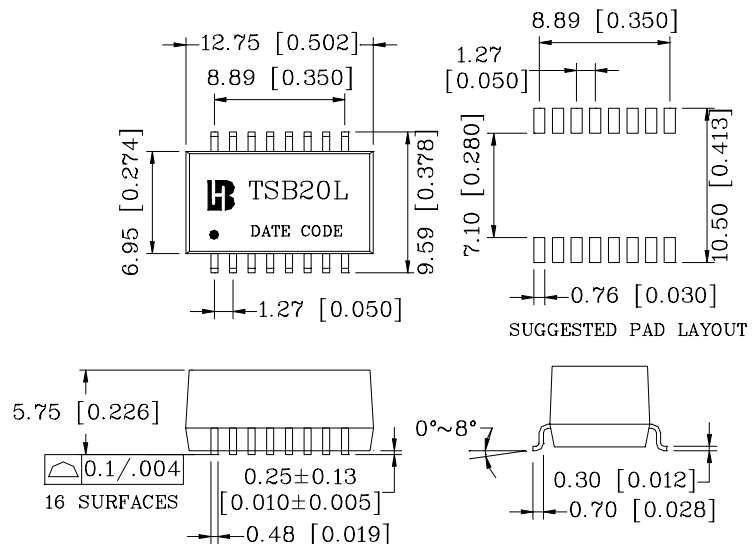
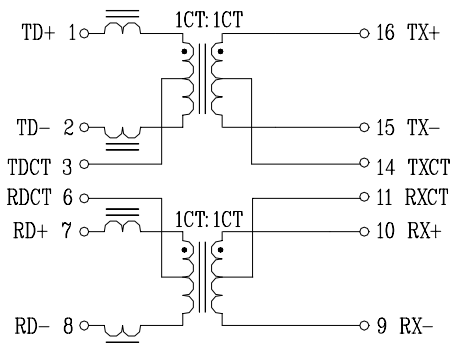
Part Number	Turns Ratio (±5%)		OCL (uH Min) @ 100KHz/0.1V with 8mA DC Bias	C _{www} (pF Max)	L.L (uH Max)	DCR (Ω Max)		HI-POT (Vrms)
	1-2:16-15	7-8:10-9				1-2/7-8	16-15/10-9	
TSB20L	1CT:1CT	1CT:1CT	350	28	0.8	0.9	1.1	1500

Continue

Part Number	Insertion Loss (dB Max)	Return Loss (dB Min)			Cross talk (dB Min)		DCMR (dB Min)		
	0.3-100 MHz	30MHz	60MHz	80MHz	0.3-60MHz	60-100MHz	30MHz	60MHz	100MHz
TSB20L	-1.5	-13	-11	-10	-45	-35	-40	-35	-30

Schematic

Mechanical



Units: mm[Inches] Tolerance: xx.x0±0.25[0.010]
0.xx±0.05[0.002]