

VXH SERIES

105°C 5000hours, Ultra Miniaturized, Snap-in Terminal Type

◆FEATURES

- Load Life : 105°C 5000 hours.
- Smaller size than VXG series.
- RoHS compliance.



◆SPECIFICATIONS

Items	Characteristics								
Category Temperature Range	-25~+105°C								
Rated Voltage Range	200~450V.DC								
Capacitance Tolerance	±20%(20°C,120Hz)								
Leakage Current(MAX)	$I=3\sqrt{CV}$ (After 5 minutes application of rated voltage) $I=(\mu A)$ Leakage Current $C=(\mu F)$ Rated Capacitance $V=(V)$ Rated Voltage								
(tanδ) Dissipation Factor(MAX)	<table border="1"> <tr> <td>Rated Voltage</td> <td>200~450</td> <td>(20°C,120Hz)</td> </tr> <tr> <td>tanδ</td> <td>0.20</td> <td></td> </tr> </table>	Rated Voltage	200~450	(20°C,120Hz)	tanδ	0.20			
Rated Voltage	200~450	(20°C,120Hz)							
tanδ	0.20								
Endurance	<p>After applying rated voltage with rated ripple current for 5000 hours at 105°C, the capacitors shall meet the following requirements.</p> <table border="1"> <tr> <td>Capacitance Change</td> <td>Within ±20% of the initial value.</td> </tr> <tr> <td>Dissipation Factor</td> <td>Not more than 200% of the specified value.</td> </tr> <tr> <td>Leakage Current</td> <td>Not more than the specified value.</td> </tr> </table>	Capacitance Change	Within ±20% of the initial value.	Dissipation Factor	Not more than 200% of the specified value.	Leakage Current	Not more than the specified value.		
Capacitance Change	Within ±20% of the initial value.								
Dissipation Factor	Not more than 200% of the specified value.								
Leakage Current	Not more than the specified value.								
Low Temperature Stability Impedance Ration(MAX)	<table border="1"> <tr> <td>Rated Voltage</td> <td>200~250</td> <td>315~450</td> <td>(120Hz)</td> </tr> <tr> <td>Z(-25°C)/Z(20°C)</td> <td>3</td> <td>8</td> <td></td> </tr> </table>	Rated Voltage	200~250	315~450	(120Hz)	Z(-25°C)/Z(20°C)	3	8	
Rated Voltage	200~250	315~450	(120Hz)						
Z(-25°C)/Z(20°C)	3	8							

◆MULTIPLIER FOR RIPPLE CURRENT

Frequency Coefficient

Coefficient	(Hz) Frequency	60(50)	120	500	1k	10k≤
		200~250VV	0.80	1.00	1.20	1.30
	315~450VV	0.80	1.00	1.20	1.25	1.40

◆OPTION

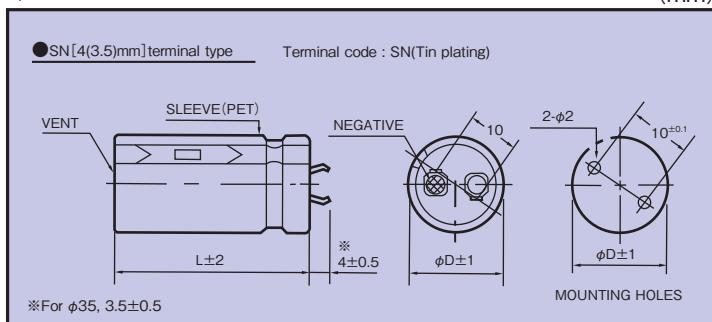
	Code
PET Sleeve without plate	EFC

◆PART NUMBER

 VXH **M** **SN** **DXL**
 Rated Voltage Series Rated Capacitance Capacitance Tolerance Option Terminal Code Case Size

◆DIMENSIONS

(mm)



◆STANDARD SIZE

Cap(μF)	WV φD	200				220			
		φ22	φ25	φ30	φ35	φ22	φ25	φ30	φ35
270						22×25 1.04			
330		22×25 1.31				22×30 1.26			
390		22×30 1.32				22×30 1.47	25×25 1.21		
470		22×30 1.54	25×25 1.54			22×35 1.64	25×30 1.47		
560		22×35 1.75	25×30 1.75			22×40 1.86	25×30 1.71	30×25 1.41	
680		22×40 1.96	25×35 1.79	30×25 1.46		22×45 2.05	25×35 1.94	30×30 1.71	
820		22×50 2.15	25×40 2.03	30×30 1.77	35×25 1.59		25×40 2.16	30×30 1.99	35×25 1.89
1000			25×45 2.26	30×35 2.06	35×30 1.93		25×45 2.37	30×35 2.26	35×30 2.15
1200			25×50 2.34	30×40 2.34	35×30 2.22			30×40 2.51	35×35 2.48
1500				30×45 2.60	35×35 2.56			30×50 2.75	35×40 2.50
1800				30×50 2.85	35×40 2.85				35×45 3.04
2200					35×50 3.14				

Cap(μF)	WV φD	250				315			
		φ22	φ25	φ30	φ35	φ22	φ25	φ30	φ35
150						22×25 0.82			
180						22×30 0.95			
220						22×35 1.11	25×25 0.98		
270		22×25 1.18				22×40 1.28	25×30 1.17		
330		22×30 1.37	25×25 1.14			22×45 1.45	25×35 1.35	30×25 1.19	
390		22×35 1.56	25×30 1.38			22×50 1.62	25×40 1.53	30×30 1.40	35×25 1.30
470		22×40 1.74	25×30 1.61				25×45 1.73	30×35 1.61	35×30 1.52
560		22×45 1.92	25×35 1.83	30×25 1.63			25×50 1.99	30×40 2.00	35×30 1.69
680		22×50 2.04	25×40 2.04	30×30 1.90	35×25 1.80			30×45 2.06	35×35 1.88
820			25×45 2.24	30×35 2.15	35×30 1.81			30×50 2.30	35×40 2.14
1000				30×40 2.39	35×35 2.38				35×50 2.53
1200				30×45 2.62	35×40 2.39				
1500					35×45 2.92				
1800					35×50 3.04				

Cap(μF)	WV φD	350				400			
		φ22	φ25	φ30	φ35	φ22	φ25	φ30	φ35
120		22×25 0.74				22×25 0.79			
150		22×30 0.89				22×30 0.92	25×25 0.95		
180		22×35 1.03	25×25 0.91			22×35 1.05	25×30 1.10		
220		22×40 1.17	25×30 1.07			22×40 1.28	25×30 1.12	30×25 1.17	
270		22×45 1.33	25×35 1.25	30×25 1.11		22×45 1.40	25×35 1.40	30×30 1.36	
330			25×40 1.43	30×30 1.31	35×25 1.23		25×40 1.55	30×30 1.55	35×25 1.35
390			25×45 1.61	30×35 1.51	35×30 1.44		25×50 1.72	30×35 1.72	35×30 1.53
470			25×50 1.85	30×40 1.88	35×35 1.67			30×40 1.89	35×35 1.78
560				30×45 1.92	35×40 1.88			30×45 1.98	35×40 1.98
680				30×50 2.15	35×40 2.01				35×45 2.19
820					35×45 2.26				35×50 2.42

Cap(μF)	WV φD	420				450			
		φ22	φ22	φ30	φ35	φ22	φ25	φ30	φ35
100		22×25 0.74				22×25 0.73			
120		22×30 0.86				22×30 0.84	25×25 0.87		
150		22×35 0.98	25×25 0.90			22×35 0.97	25×30 0.89		
180		22×40 1.09	25×30 1.05			22×40 1.08	25×30 1.03	30×25 1.08	
220		22×45 1.21	25×35 1.19	30×25 1.12		22×45 1.17	25×35 1.17	30×30 1.10	35×25 1.04
270		22×50 1.34	25×40 1.34	30×30 1.30	35×25 1.27		25×45 1.43	30×30 1.28	35×30 1.25
330			25×45 1.47	30×35 1.47	35×30 1.45		25×50 1.45	30×40 1.45	35×30 1.43
390				30×40 1.64	35×35 1.68			30×45 1.75	35×35 1.66
470				30×45 1.81	35×35 1.71			30×50 1.85	35×40 1.85
560				30×50 2.07	35×40 2.07				35×45 2.04
680					35×50 2.43				

↑ Ripple Current (A r.m.s./120Hz, 105°C)
 Case Size φD×L(mm)