

Hi-Rel NPN bipolar transistor 60 V - 50 mA

Features

Parameter	Value
BV_{CEO}	60 V
I_C (max)	50 mA
h_{FE} at 10 V - 150 mA	> 250
Operating temperature range	- 65 °C to + 200 °C

- Linear gain characteristics
- Hermetic packages
- ESCC qualified
- European preferred part list - EPPL

Description

The 2N2484HR is a silicon planar epitaxial NPN transistor specifically designed for aerospace Hi-Rel applications and housed in hermetic packages. It complies with the ESCC 5000 qualification standard. It is ESCC qualified according to the 5201-001 specification. In case of conflict between this datasheet and ESCC detailed specification, the latter prevails.

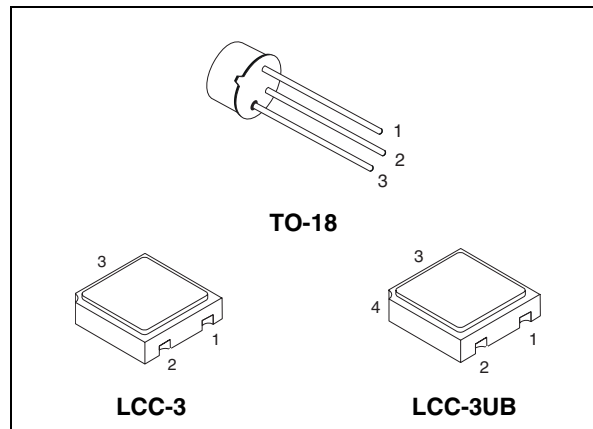
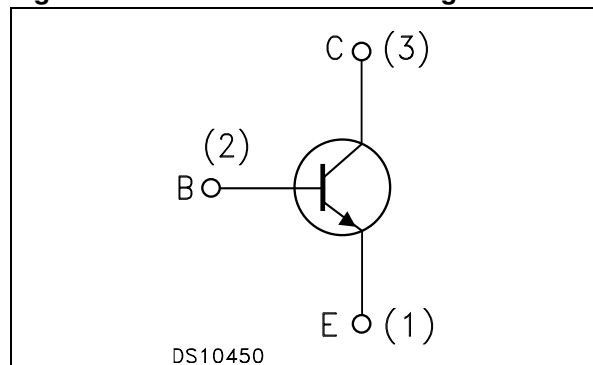


Figure 1. Internal schematic diagram



Pin 4 in LCC-3UB connected to the lid (for ground contact)

Table 1. Device summary

Order codes	ESCC Part number	Quality Level	Packages	Lead Finish	Mass (g)	EPPL
2N2484UB1	-	Engineering Model	LCC-3UB	Gold	0.06	-
2N2484UB06	5201/001/06	ESCC Flight	LCC-3UB	Gold	0.06	-
2N2484UB07	5201/001/07	ESCC Flight	LCC-3UB	Solder Dip	0.06	-
SOC2484	-	Engineering Model	LCC-3	Gold	0.06	-
SOC2484HRB	5201/001/01 or 02	ESCC Flight	LCC-3	Gold / Solder Dip ⁽¹⁾	0.06	-
2N2484HR	5201/001/04 or 05	ESCC Flight	TO-18	Gold / Solder Dip ⁽¹⁾	0.40	Y

1. Depending ESCC part number mentioned on the purchase order.

1 Electrical ratings

Table 2. Absolute maximum ratings

Symbol	Parameter	Value	Unit
V_{CBO}	Collector-base voltage ($I_E = 0$)	60	V
V_{CEO}	Collector-emitter voltage ($I_B = 0$)	60	V
V_{EBO}	Emitter-base voltage ($I_C = 0$)	6	V
I_C	Collector current	50	mA
P_{TOT}	Total dissipation at $T_{amb} \leq 25\text{ °C}$ 2N2484HR	0.36	W
	2N2484UB1 / SOC2484HRB	0.36	W
	2N2484UB1 / SOC2484HRB ⁽¹⁾	0.73	W
	Total dissipation at $T_c \leq 25\text{ °C}$ for 2N2484HR	1.2	W
T_{STG}	Storage temperature	- 65 to 200	°C
T_J	Max. operating junction temperature	200	°C

1. When mounted on a 15 x 15 x 0.6 mm ceramic substrate.

Table 3. Thermal data for through-hole package

Symbol	Parameter	TO-18	Unit
R_{thJC}	Thermal resistance junction-case max	146	°C/W
R_{thJA}	Thermal resistance junction-ambient max	486	°C/W

Table 4. Thermal data for SMD package

Symbol	Parameter	LCC-3 / LCC-3UB	Unit
R_{thJA}	Thermal resistance junction-ambient max	486	°C/W
	Thermal resistance junction-ambient ⁽¹⁾ max	239	

1. When mounted on a 15 x 15 x 0.6 mm ceramic substrate.

2 Electrical characteristics

$T_{\text{case}} = 25\text{ }^{\circ}\text{C}$ unless otherwise specified.

Table 5. Electrical characteristics

Symbol	Parameter	Test conditions ⁽¹⁾	Min.	Typ.	Max.	Unit
$V_{(\text{BR})\text{CBO}}$	Collector-base breakdown voltage	$I_{\text{C}} = 10\text{ }\mu\text{A}$	60	-		V
$V_{(\text{BR})\text{CEO}}^{(2)}$	Collector-emitter breakdown voltage	$I_{\text{C}} = 10\text{ mA}$	60	-		V
$V_{(\text{BR})\text{EBO}}$	Emitter-base breakdown voltage	$I_{\text{E}} = 10\text{ }\mu\text{A}$	6	-		V
I_{CBO}	Collector-base cut-off current	$V_{\text{CB}} = 45\text{ V}$		-	10	nA
I_{CBO}	Emitter-base cut-off current	$V_{\text{EB}} = 5\text{ V}$		-	10	nA
$V_{\text{CE}(\text{SAT})}^{(2)}$	Collector-emitter saturation voltage	$I_{\text{C}} = 1\text{ mA}$ $I_{\text{B}} = 0.1\text{ mA}$		-	0.35	V
$h_{\text{FE}}^{(2)}$	DC forward current transfer ratio	$I_{\text{C}} = 1\text{ }\mu\text{A}$ $V_{\text{CE}} = 5\text{ V}$ $I_{\text{C}} = 10\text{ }\mu\text{A}$ $V_{\text{CE}} = 5\text{ V}$ $I_{\text{C}} = 100\text{ }\mu\text{A}$ $V_{\text{CE}} = 5\text{ V}$ $I_{\text{C}} = 1\text{ mA}$ $V_{\text{CE}} = 5\text{ V}$ $I_{\text{C}} = 10\text{ mA}$ $V_{\text{CE}} = 5\text{ V}$	30 100 175 250	-	500 550 650 800	
h_{fe}	High frequency current Gain 1	$V_{\text{CE}} = 5\text{ V}$ $I_{\text{C}} = 50\text{ }\mu\text{A}$ $f = 5\text{ MHz}$	3	-		
	High frequency current Gain 2	$V_{\text{CE}} = 5\text{ V}$ $I_{\text{C}} = 500\text{ }\mu\text{A}$ $f = 30\text{ MHz}$	2	-		
C_{obo}	Output capacitance	$V_{\text{CB}} = 5\text{ V}$ $I_{\text{E}} = 0$ $f = 1\text{ MHz}$		-	6	pF
C_{ibo}	Input capacitance	$V_{\text{EB}} = 0.5\text{ V}$ $I_{\text{C}} = 0$ $f = 1\text{ MHz}$		-	6	pF
h_{FE}	Small signal current gain	$I_{\text{C}} = 1\text{ mA}$ $V_{\text{CE}} = 5\text{ V}$ $f = 1\text{ kHz}$	150	-	900	
h_{ie}	Small signal input impedance	$I_{\text{C}} = 1\text{ mA}$ $V_{\text{CE}} = 5\text{ V}$ $f = 1\text{ kHz}$	3.5	-	24	k Ω
h_{oc}	Small signal output impedance	$I_{\text{C}} = 1\text{ mA}$ $V_{\text{CE}} = 5\text{ V}$ $f = 1\text{ kHz}$		-	40	μmho
h_{re}	Small signal reverse voltage transfer ratio	$I_{\text{C}} = 1\text{ mA}$ $V_{\text{CE}} = 5\text{ V}$ $f = 1\text{ kHz}$		-	800	10^{-6}
N_{FW}	Wide-Band noise	$V_{\text{CE}} = 5\text{ V}$ $I_{\text{C}} = 10\text{ }\mu\text{A}$ $R_{\text{S}} = 10\text{ k}\Omega$		-	3	dB

Table 5. Electrical characteristics

Symbol	Parameter	Test conditions ⁽¹⁾	Min.	Typ.	Max.	Unit
NF _{N1}	Spot noise figure	V _{CE} = 5 V I _C = 10 μA R _S = 10 kΩ f = 100 Hz Power BW = 200 Hz		-	3	dB
NF _{N2}		V _{CE} = 5 V I _C = 10 μA R _S = 10 kΩ f = 1 kHz Power BW = 20 Hz		-	10	
NF _{N3}		V _{CE} = 5 V I _C = 10 μA R _S = 10 kΩ f = 10 kHz Power BW = 2 Hz		-	2	

1. Measurement performed on a sample basis, LTPD 7 or less.
2. Pulse measurement: Pulse width ≤ 300 μs, duty cycle ≤ 1.0 %

Table 6. Electrical characteristics at high and low temperatures

Symbol	Parameter	Test conditions	Min.	Typ.	Max.	Unit
I _{CBO}	Collector-base cut-off current	V _{CB} = 45 V T _{amb} = 150 °C		-	10	μA
h _{FE2}	DC forward current transfer ratio	I _C = 10 μA V _{CE} = 5 V T _{amb} = - 55 °C	20	-		

3 Test circuit

Figure 2. Circuit for electrical measurements

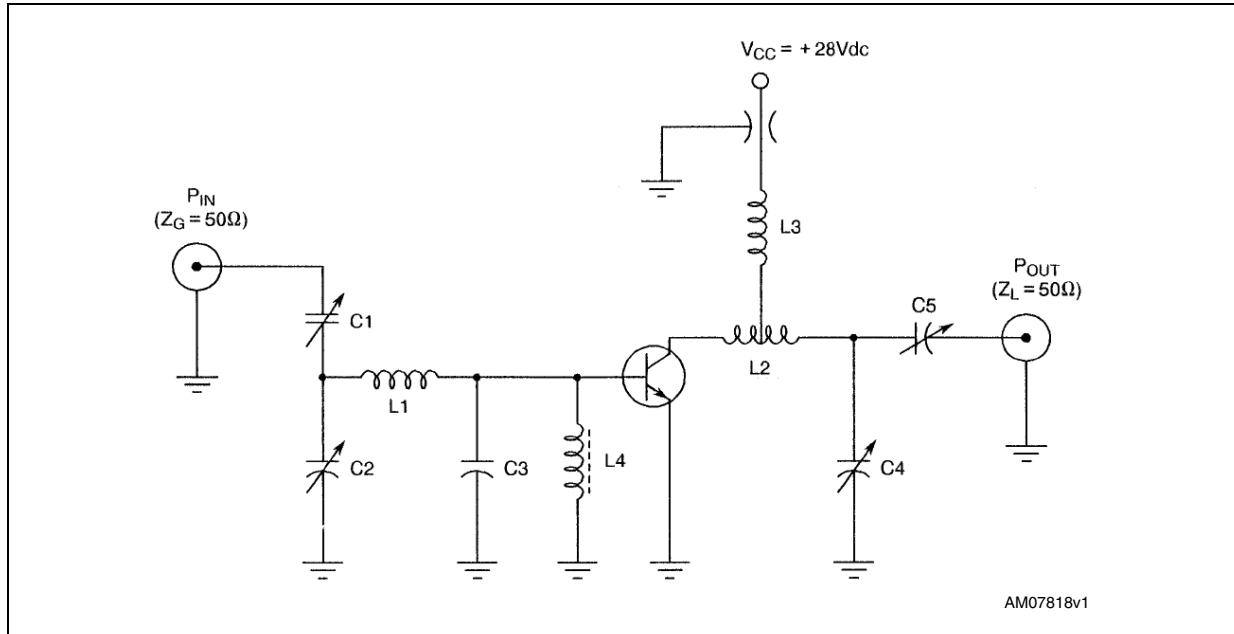


Table 7. List of components

Component	Description
C1, C2, C5	3.0 - 35 pF
C3 ⁽¹⁾	24 pF
C4	0.4 - 7.0 pF
L1	Straight piece n° 16 bare tin wire, 5/8 inch long
L2	3 turns n° 16 wire, 1/4 inch ID, 5/16 inch long
L3	1 turn n° 18 wire, 1/4 inch ID, 1/4 inch long
L4	Ferrite rf choke, Z = 450 Ω

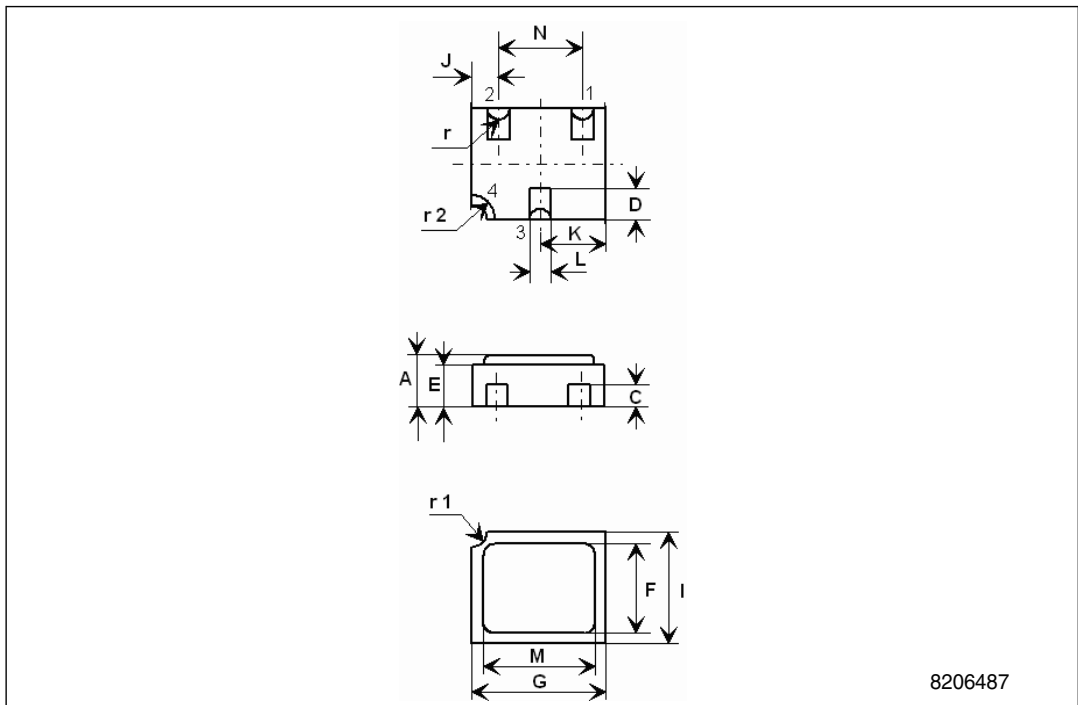
1. For optimum performance, C3 should be mounted as close as possible to the base lead.

4 Package mechanical data

In order to meet environmental requirements, ST offers these devices in different grades of ECOPACK[®] packages, depending on their level of environmental compliance. ECOPACK[®] specifications, grade definitions and product status are available at: www.st.com. ECOPACK[®] is an ST trademark.

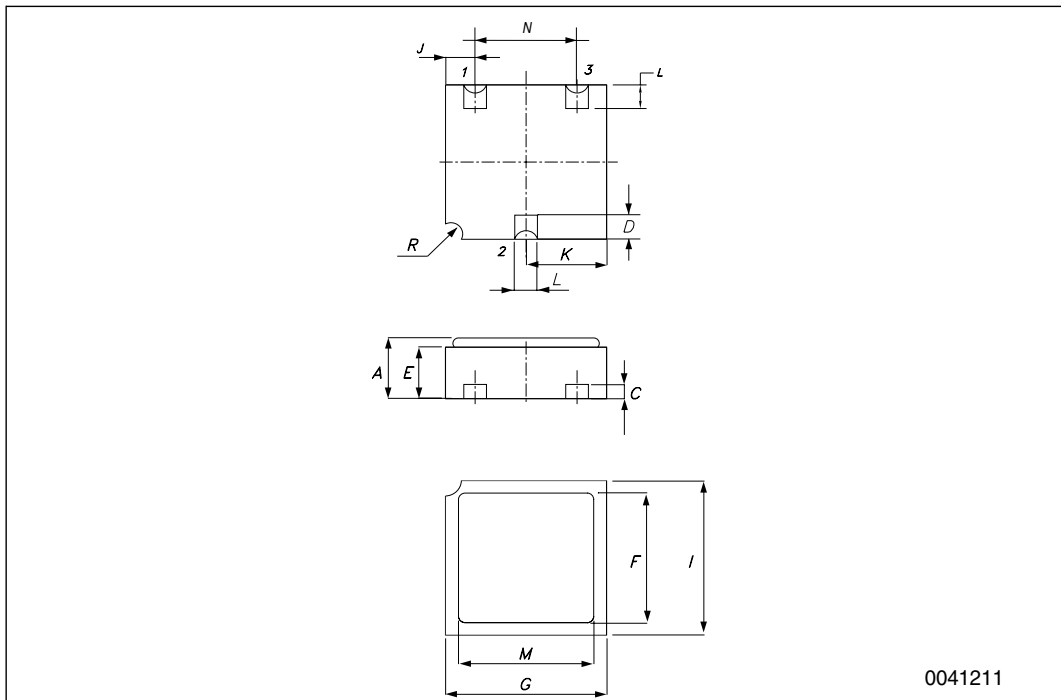
LCC-3UB mechanical data

Dim.	mm.		
	Min.	Typ.	Max.
A	1.16		1.42
C	0.46	0.51	0.56
D	0.56	0.76	0.96
E	0.92	1.02	1.12
F	1.95	2.03	2.11
G	2.92	3.05	3.18
I	2.41	2.54	2.67
J	0.42	0.57	0.72
K	1.37	1.52	1.67
L	0.41	0.51	0.61
M	2.46	2.54	2.62
N	1.81	1.91	2.01
r		0.20	
r1		0.30	
r2		0.56	



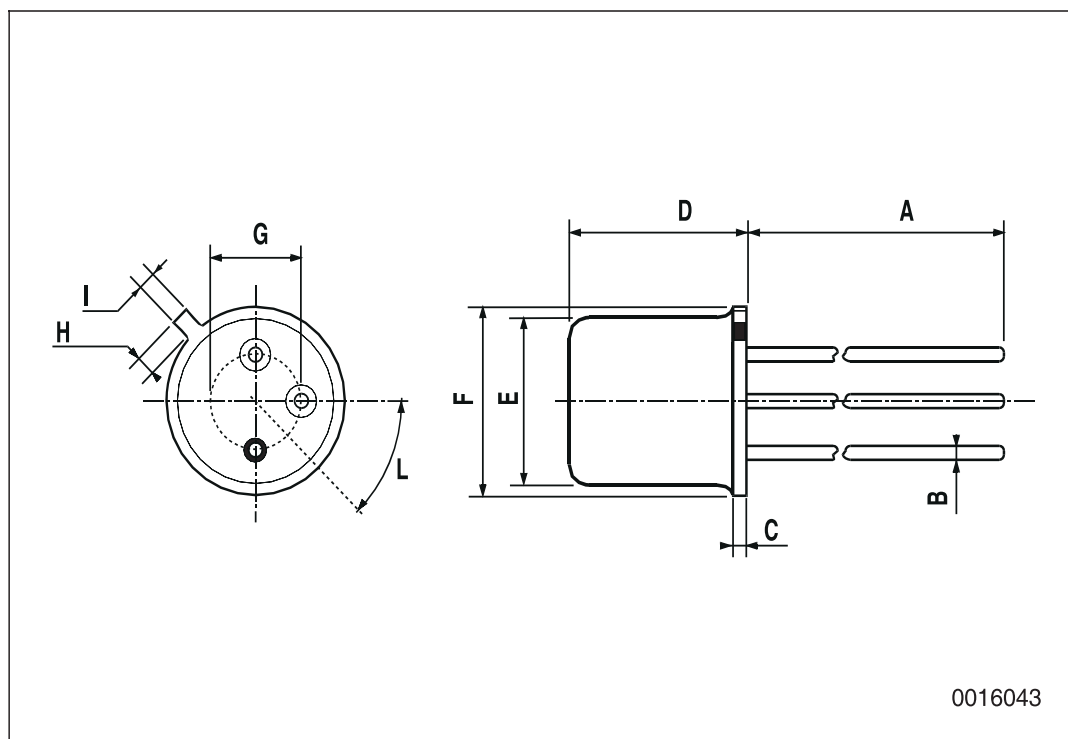
LCC-3 mechanical data

Dim.	mm.		
	Min.	Typ.	Max.
A	1.16		1.42
C	0.45	0.50	0.56
D	0.60	0.76	0.91
E	0.91	1.01	1.12
F	1.95	2.03	2.11
G	2.92	3.05	3.17
I	2.41	2.54	2.66
J	0.42	0.57	0.72
K	1.37	1.52	1.67
L	0.40	0.50	0.60
M	2.46	2.54	2.62
N	1.80	1.90	2.00
R		0.30	



TO-18 Mechanical data

DIM.	mm			inch		
	MIN.	TYP.	MAX.	MIN.	TYP.	MAX.
A		12.7			0.500	
B			0.49			0.019
D			5.3			0.208
E			4.9			0.193
F			5.8			0.228
G	2.54			0.100		
H			1.2			0.047
I			1.16			0.045
L	45°			45°		



5 Order codes

Table 8. Order codes

Order codes	ESCC Part number	Packages	Lead Finish	Marking	EPPL	Packing
2N2484UB1	-	LCC-3UB	Gold	2N2484UB1	-	Waffle pack
2N2484UB06	5201/001/06	LCC-3UB	Gold	520100106	-	Waffle pack
2N2484UB07	5201/001/07	LCC-3UB	Solder Dip	520100107	-	Waffle pack
SOC2484	-	LCC-3	Gold	SOC2484	-	Waffle pack
SOC2484HRB	5201/001/01 or 02	LCC-3	Gold or Solder Dip ⁽¹⁾	520100101 or 02	-	Waffle pack
2N2484HR	5201/001/04 or 05	TO-18	Gold or Solder Dip ⁽¹⁾	520100104 or 05	Y	Strip pack

1. Depending ESCC part number mentioned on the purchase order.

Contact ST sales office for information about the specific conditions for:

- Products in die form
- Tape & reel packing

6 Revision history

Table 9. Document revision history

Date	Revision	Changes
09-Jul-2010	1	Initial release

Please Read Carefully:

Information in this document is provided solely in connection with ST products. STMicroelectronics NV and its subsidiaries ("ST") reserve the right to make changes, corrections, modifications or improvements, to this document, and the products and services described herein at any time, without notice.

All ST products are sold pursuant to ST's terms and conditions of sale.

Purchasers are solely responsible for the choice, selection and use of the ST products and services described herein, and ST assumes no liability whatsoever relating to the choice, selection or use of the ST products and services described herein.

No license, express or implied, by estoppel or otherwise, to any intellectual property rights is granted under this document. If any part of this document refers to any third party products or services it shall not be deemed a license grant by ST for the use of such third party products or services, or any intellectual property contained therein or considered as a warranty covering the use in any manner whatsoever of such third party products or services or any intellectual property contained therein.

UNLESS OTHERWISE SET FORTH IN ST'S TERMS AND CONDITIONS OF SALE ST DISCLAIMS ANY EXPRESS OR IMPLIED WARRANTY WITH RESPECT TO THE USE AND/OR SALE OF ST PRODUCTS INCLUDING WITHOUT LIMITATION IMPLIED WARRANTIES OF MERCHANTABILITY, FITNESS FOR A PARTICULAR PURPOSE (AND THEIR EQUIVALENTS UNDER THE LAWS OF ANY JURISDICTION), OR INFRINGEMENT OF ANY PATENT, COPYRIGHT OR OTHER INTELLECTUAL PROPERTY RIGHT.

UNLESS EXPRESSLY APPROVED IN WRITING BY AN AUTHORIZED ST REPRESENTATIVE, ST PRODUCTS ARE NOT RECOMMENDED, AUTHORIZED OR WARRANTED FOR USE IN MILITARY, AIR CRAFT, SPACE, LIFE SAVING, OR LIFE SUSTAINING APPLICATIONS, NOR IN PRODUCTS OR SYSTEMS WHERE FAILURE OR MALFUNCTION MAY RESULT IN PERSONAL INJURY, DEATH, OR SEVERE PROPERTY OR ENVIRONMENTAL DAMAGE. ST PRODUCTS WHICH ARE NOT SPECIFIED AS "AUTOMOTIVE GRADE" MAY ONLY BE USED IN AUTOMOTIVE APPLICATIONS AT USER'S OWN RISK.

Resale of ST products with provisions different from the statements and/or technical features set forth in this document shall immediately void any warranty granted by ST for the ST product or service described herein and shall not create or extend in any manner whatsoever, any liability of ST.

ST and the ST logo are trademarks or registered trademarks of ST in various countries.

Information in this document supersedes and replaces all information previously supplied.

The ST logo is a registered trademark of STMicroelectronics. All other names are the property of their respective owners.

© 2010 STMicroelectronics - All rights reserved

STMicroelectronics group of companies

Australia - Belgium - Brazil - Canada - China - Czech Republic - Finland - France - Germany - Hong Kong - India - Israel - Italy - Japan - Malaysia - Malta - Morocco - Philippines - Singapore - Spain - Sweden - Switzerland - United Kingdom - United States of America

www.st.com