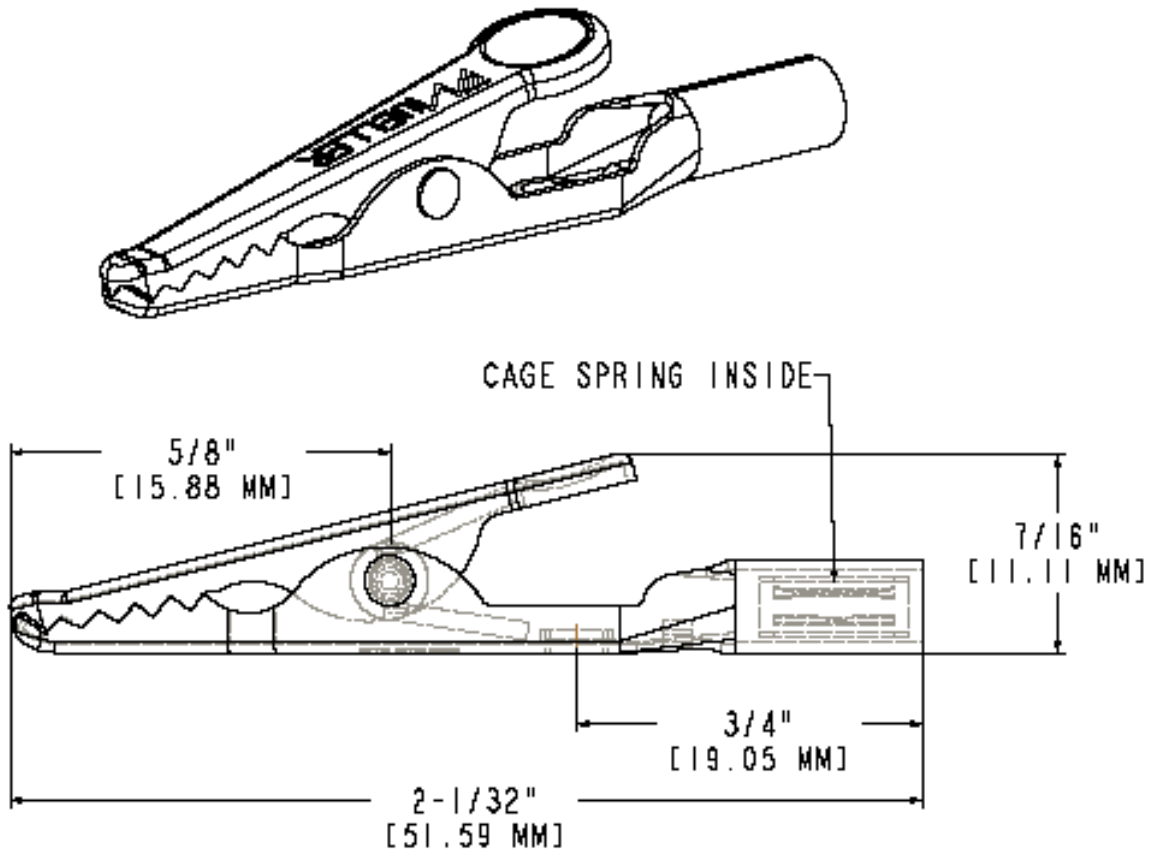




Part Number: BU-61
Description: Alligator Clip with Cage Spring Barrel

3907



- Alligator Clip with Cage Spring Barrel
- Cage spring connection accepts standard prob needle (0.080 dia.)
- Jaw opens 0.31" (7.9 mm) max
- Material: Nickel plated steel clip; Nickel plated brass insert; Gold plated beryllium copper cage spring
- Length: 2.03" (51.59 mm)
- Rating: 10 Amps
- RoHS Compliant