



Elektronische Bauelemente

GBPC 50 Series

VOLTAGE 50V ~ 1000V

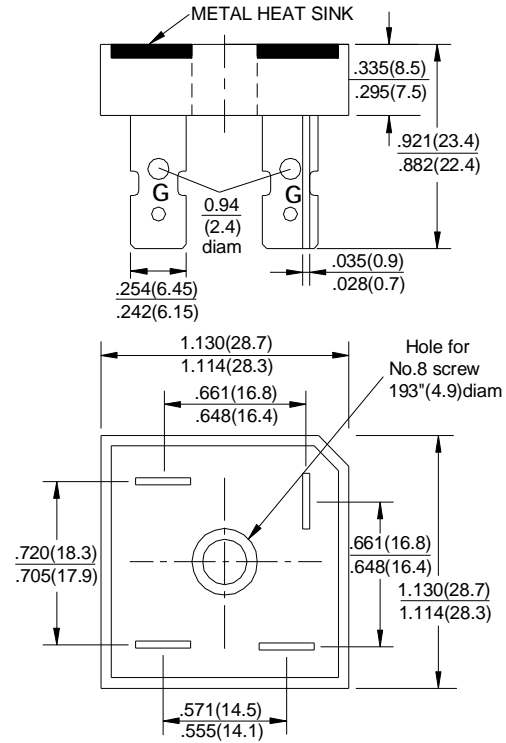
50 AMP Glass Passivated Bridge Rectifiers

RoHS Compliant Product
A suffix of "-C" specifies halogen-free.

FEATURES

- Surge overload 200 ~ 400 Amperes peak
- Low forward voltage drop
- Mounting Position : Any
- Electrically isolated base – 2000 volts
- Solderable 0.25" FASTON terminals
- Materials used carries U/L recognition

GBPC



Dimensions in inches and(millimeters)

MAXIMUM RATINGS AND ELECTRICAL CHARACTERISTICS

Rating 25 °C ambient temperature unless otherwise specified.
Resistive or inductive load 60Hz
For capacitive load current by 20%.

TYPE NUMBER	GBPC							UNITS
	50005	5001	5002	5004	5006	5008	5010	
Maximum Recurrent Peak Peak Reverse Voltage	50	100	200	400	600	800	1000	V
Maximum RMS Bridge Input Voltage	35	70	140	280	420	560	700	V
Maximum Average Forward Rectified Output Current @Tc=55 °C	50							A
Peak Forward Surge Current 8.3ms single half sine-wave	450							A
Maximum Forward Voltage Drop per element At 25A	1.1							V
Maximum Reverse Current at Rate DC Blocking Voltage per element @TA=25°C	10							µA
Operating Temperature Range Tc	-55 to +150							°C
Storage Temperature Range TA	-55 to +150							°C

● RATING AND CHARACTERISTIC CURVES

FIG.1-MAXMUN FORWARD SURGE CURRENT

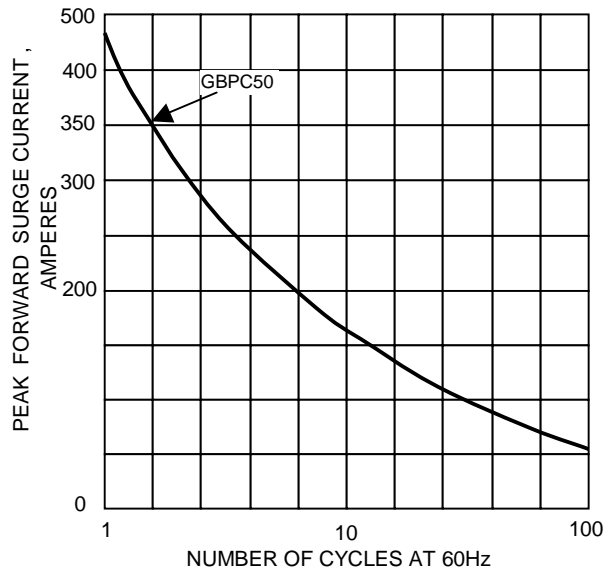


FIG.2- DERATING CURVE OUTPUT RECTIFIED CURRENT

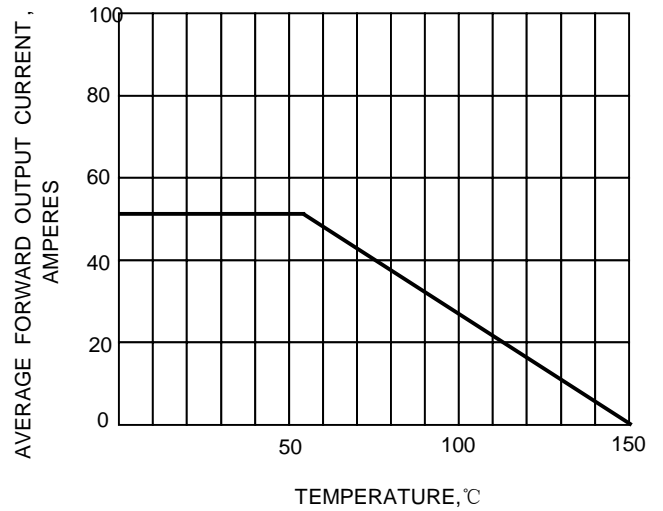


FIG.3-TYPICAL FORWARD CHARACTERISTICS

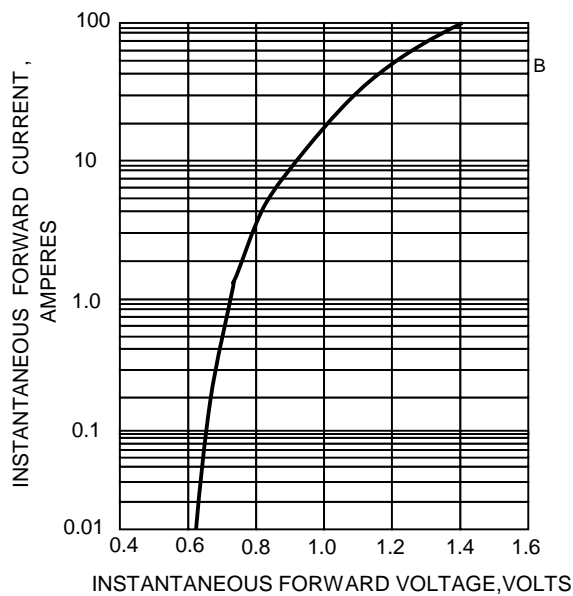


FIG.4-TYPICAL REVERSE CHARACTERISTICS

