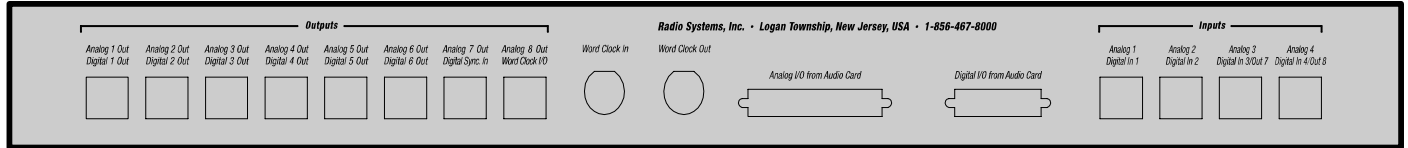


For Assys:  
HUB12  
Rev: 07/05

# StudioHub+ Model HUB12

Engineered to Break-Out Audio Science Multi-Channel Audio Cards  
via StudioHub+ / RJ-45 Connectivity



Product Key	
Name	HUB12
Mount	rack (1 r.u.)
Channels	8 Out / 4 In
CAT-5 Pairs	2 (1,2,3,6)
Power Link	no
Connectors	12 RJ-45 / 2 BNC (for sync.) 1 MD-50 (for analog) / 1 MD-26 (for digital)
Versions	Rack-mount only (as pictured)

**General**  
The Hub12 is specifically engineered to break-out up to 8 stereo output channels and 4 stereo input channels from series 4000, 5000 and 6000 Audio Science professional multi-channel audio cards. Inputs and outputs appear on RJ-45 connectors and conform to the StudioHub+ audio pin-out standard. Front panel high-density MD-50 & MD-26 connectors mate with similar connectors on the various ASI cards supported.

**BNC Synchronous connectors**  
Front panel BNC connectors provide Word-Clock sync inputs and outputs as supported by the individual ASI card models. Insert pins in internal jumpers JU9 & JU10 (center and forward pins - towards the BNC connectors) in to activate these connectors.

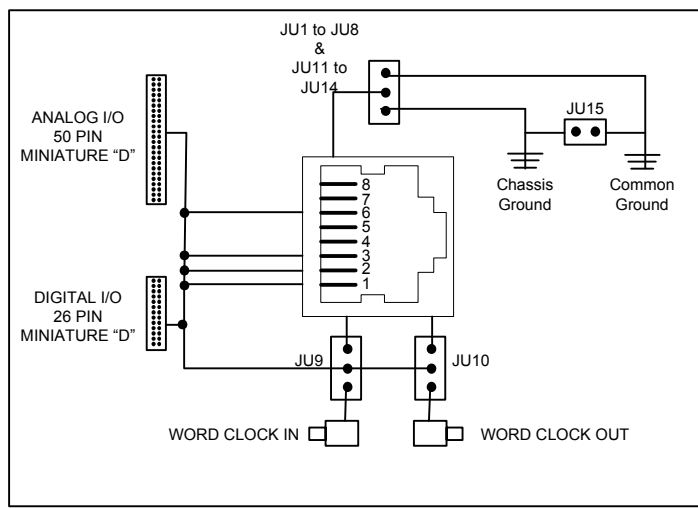
**Grounding Information**  
Front panel RJ-45 shields are all normally isolated from each other, but may be connected together via an internal common ground bus. Insert pins in internal jumpers JU1 thru JU8 and JU11 to JU14 in the center and forward pins (towards the RJ-45 connectors) to connect to the chassis ground. Insert the jumper pins in the center and rear pins (away from the RJ-45 connectors) to connect to the common isolated ground buss. The isolated ground buss may be connected to the chassis ground by inserting internal jumper JU15.

INPUT 1 LEFT - 1	26	INPUT 1 LEFT +	1	14	INPUT 1 AES +	1	14
INPUT 1 RIGHT - 2	27	INPUT 1 RIGHT +	2	15	INPUT 2 AES +	2	15
INPUT 2 LEFT - 3	28	INPUT 2 LEFT +	3	16	INPUT 3 AES +	3	16
INPUT 2 RIGHT - 4	29	INPUT 2 RIGHT +	4	17	INPUT 4 AES +	4	17
INPUT 3 LEFT - 5	30	INPUT 3 LEFT +	5	18	OUTPUT 1 AES -	5	18
INPUT 3 RIGHT - 6	31	INPUT 3 RIGHT +	6	19	OUTPUT 2 AES -	6	19
INPUT 4 LEFT - 7	32	INPUT 4 LEFT +	7	20	OUTPUT 3 AES -	7	20
INPUT 4 RIGHT - 8	33	INPUT 4 RIGHT +	8	21	OUTPUT 4 AES -	8	21
OUTPUT 4 RIGHT - 9	34	OUTPUT RIGHT +	9	22	OUTPUT 5 AES -	9	22
OUTPUT 4 LEFT - 10	35	OUTPUT LEFT +	10	23	OUTPUT 6 AES -	10	23
OUTPUT 3 RIGHT - 11	36	OUTPUT RIGHT +	11	24	Sync - / OUTPUT 7 AES -	11	24
OUTPUT 3 LEFT - 12	37	OUTPUT LEFT +	12	25	WORD CLOCK IN / OUTPUT 8 AES -	12	25
OUTPUT 2 RIGHT - 13	38	OUTPUT RIGHT +	13	26	GROUND	13	26
OUTPUT 2 LEFT - 14	39	OUTPUT LEFT +					
OUTPUT 1 RIGHT - 15	40	OUTPUT RIGHT +					
OUTPUT 1 LEFT - 16	41	OUTPUT LEFT +					
OUTPUT 5 RIGHT - 17	42	OUTPUT RIGHT +					
OUTPUT 5 LEFT - 18	43	OUTPUT LEFT +					
OUTPUT 6 RIGHT - 19	44	OUTPUT RIGHT +					
OUTPUT 6 LEFT - 20	45	OUTPUT LEFT +					
OUTPUT 7 RIGHT - 21	46	OUTPUT RIGHT +					
OUTPUT 7 LEFT - 22	47	OUTPUT LEFT +					
OUTPUT 8 RIGHT - 23	48	OUTPUT RIGHT +					
OUTPUT 8 LEFT - 24	49	OUTPUT LEFT +					
GROUND - 25	50	GROUND					

**Analog I/O Connector (MD-50)**

**Digital I/O Connector (MD-26)**

NOTE - These pin-outs typically correlate 1 to 1 for Audio Science series 4000, 5000 and 6000 audio cards so that straight-thru patch cables may be utilized.



## StudioHub+ Pin Outs

Channel	Color Pair	RJ-45 Pin	110 Pin
L+ / AES +	Wht/Org	1	3
L- / AES -	Org/Wht	2	4
R+	Wht/Grn	3	5
R-	Grn/Wht	6	6
nc	Wht/Blu	5	1
GND	Blu/Wht	4	2
15V-	Wht/Brn	7	7
15V+	Brn/Wht	8	8
Shield	Wht/Slit	Shield	9
Shield	Slit/Wht	Shield	10

## Internal Jumper Locations

All jumpers are internally located. Remove the top cover of the unit to access each jumper behind its corresponding connector.