

# PANEL MOUNT INDICATORS

NYLON HOUSING

\* *Series Part Numbers: PM3 and PM5*

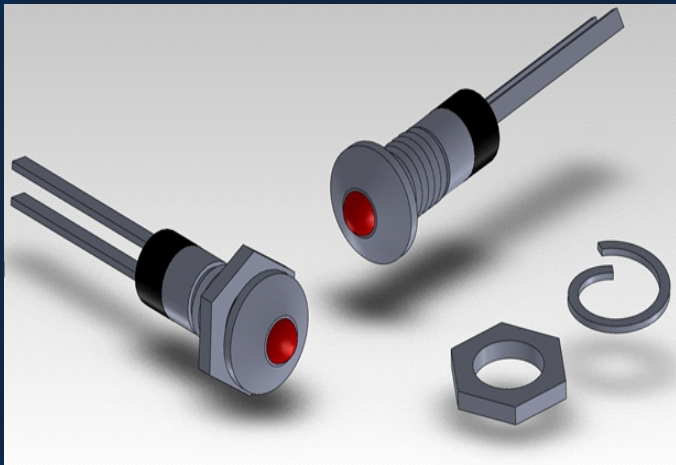
The Nylon Panel Mount Indicators feature fast press-fit, simple installation for general signal indication that does not require water, dust, or moisture proof from the operating area.

## FEATURES AND BENEFITS

- Features both leaded and wired contacts with optional connectors.
- Offered with 3mm and 5mm LEDs. A wide selection of colors, lens appearance, intensity and viewing angles are available.
- LEDs are direct drive upon specified Vf (forward voltage).

## APPLICATIONS

- Commercial Applications
- Industrial Applications
- Communication Applications
- Security Applications
- General Signage Applications



# PANEL MOUNT INDICATORS

## METAL HOUSING

\* Series Part Numbers: MPC3 and MPC5  
MPR3 and MPR5

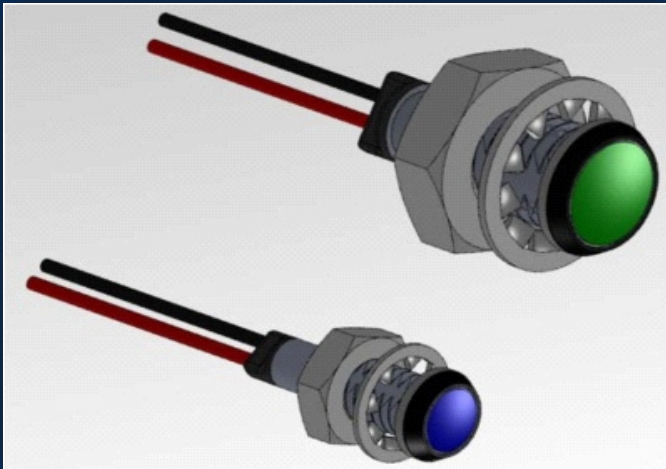
The Metal Panel Mount Indicators, threaded metallic housing provides positive locking for constant vibration, ideal for a robust environment. The durable metallic housing can sustain extreme heat, cold, and harsh environments, and does not require any additional water and/or moisture protection.

## FEATURES AND BENEFITS

- Features both leaded and wired contacts with optional connectors.
- Offered with 3mm and 5mm LEDs. A wide selection of colors, lens appearance, intensity and viewing angles are available.
- LEDs are direct drive upon specified Vf (forward voltage).

## APPLICATIONS

- Commercial Applications
- Industrial Applications
- High Vibration Applications
- Extreme Heat, Cold, and Harsh Environmental Applications



## IP67 RATED PANEL MOUNT INDICATORS

\* Series Part Numbers: PM3-P and PM5-P

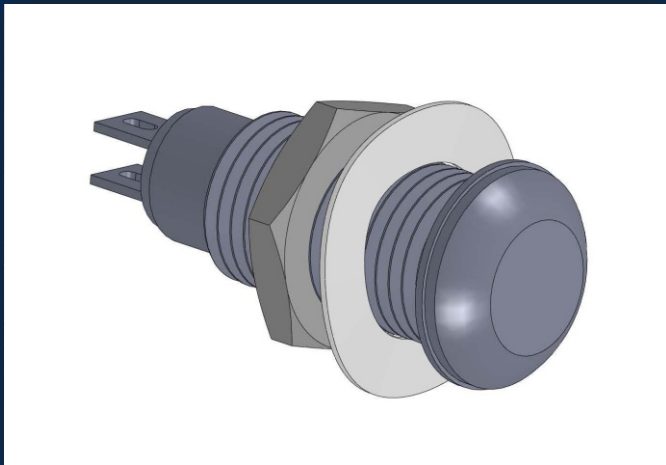
The IP67 Rated Panel Mount Indicators feature forward voltage of 8 – 48 VAC/VDC, and a watertight seal from the front panel, ideal for waterproof and moisture protection. The housing and lens are made of ESD protected material, the threaded housing provides positive locking for constant vibration, ideal for a robust environment. A diffused lens provides uniform illumination and wide angle viewing capability.

### FEATURES AND BENEFITS

- Wide Input Range of 8 – 48V (both AC and DC operation is permitted) offers flexible applications for users in diverse market segments.
- Features both leaded and wired contacts with optional connectors.
- Offered with 3mm and 5mm LEDs. A wide selection of colors, lens appearance, intensity and viewing angles are available.
- LEDs are direct drive upon specified Vf (forward voltage).

### APPLICATIONS

- Industrial Applications
- Military Applications
- High Vibration Applications
- Transportation (aircraft, auto, marine)
- Commercial Applications
- Security Applications



## IP67 RATED PANEL MOUNT INDICATORS

### METAL HOUSING

*\* Series Part Numbers: PM5-A, PM5-B, and PM5-S*

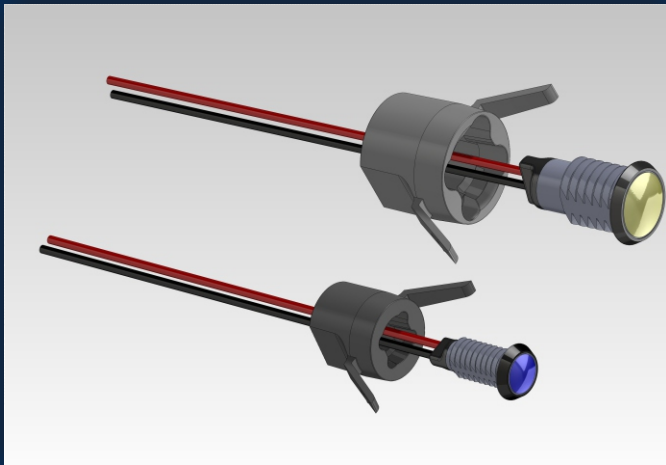
The IP67 rated, ESD protected LED Panel Mount Indicator Series features a ruggedized application, high intensity LED, reverse diode protected with wide range of color options and an optional 110 VAC input voltage. Lens options include clear raised, color raised, color diffused, and smoked. The housing is made of high quality brass / bright nickel finish, or aluminum / black anodized finish.

### FEATURES AND BENEFITS

- Wide input voltage choice, flexible applications for users in diverse market segment.
- Benefits include high optical performance, outstanding reliability, vandal resistance, and sealing specifications in excess of IP67, IP68, and NEMA requirements.
- Suitable for high vibration applications and Defense equipment.
- Sunlight readable, conductive panel seal, and Bi-Polar.

### APPLICATIONS

- Defense and Military Equipment
- High Vibration Applications
- Transportation (aircraft, auto, marine, trains)
- Medical Applications
- Outdoor Signage Applications
- Commercial Applications
- Industrial Applications



## QUICK-MOUNT PANEL MOUNT INDICATORS

\* Series Part Numbers: PM3-K

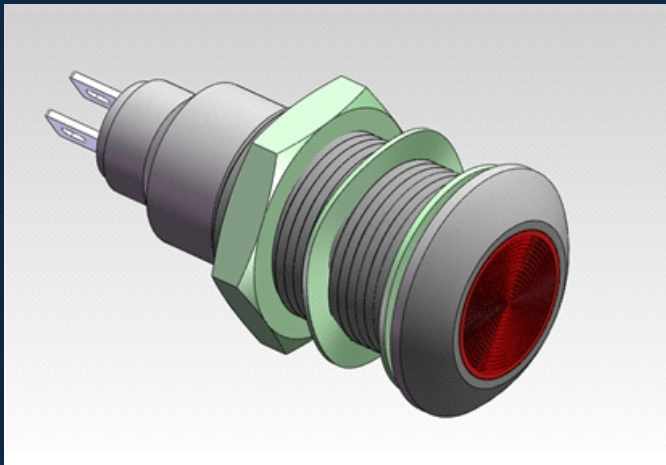
The Quick-Mount Nylon Panel Mount Indicator Series features a unique, quick locking mechanism, "Quick Nut" to provide instant panel hook up that does not require water or moisture protection. The housing and lens are made of ESD protected material. A diffused lens provides uniform illumination and wide angle viewing capability.

### FEATURES AND BENEFITS

- Features both leaded and wired contacts with optional connectors.
- Offered with 3mm and 5mm LEDs. A wide selection of colors, lens appearance, intensity and viewing angles are available.
- LEDs are direct drive upon specified Vf (forward voltage).

### APPLICATIONS

- Security Applications
- Commercial Applications
- Industrial Applications
- General Signage Applications



# EMC AND UL RATED PANEL MOUNT INDICATORS

METAL HOUSING

*\* Series Part Numbers: PM5-A*

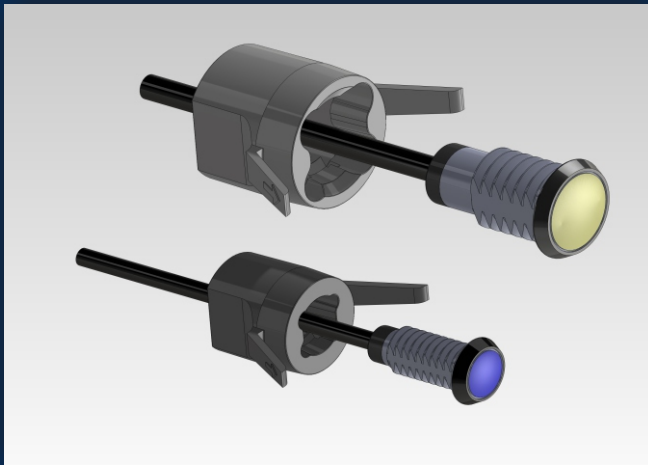
The IP67 rated, ESD protected, professional LED Panel Mount Indicator Series features a ruggedized application, high intensity LED, reverse diode protected with wide range of color and input voltage. Lens options include clear raised, color raised, color diffused, and smoked with excellent wide angle viewing. The housing is made of high quality brass / bright nickel finish, or aluminum / black anodized finish.

## FEATURES AND BENEFITS

- Benefits include high optical performance, outstanding reliability, vandal resistance and sealing specifications in excess of IP67, IP68, and NEMA requirements.
- Suitable for high vibration applications Defense equipment.
- Sunlight readable, conductive panel seal, and Bi-Polar.

## APPLICATIONS

- Defense and Military Equipment
- High Vibration Applications
- Transportation (aircraft, auto, marine, trains)
- Medical Applications
- Outdoor Signage Applications
- Commercial Applications
- Industrial Applications



## QUICK-MOUNT FLEXIBLE LIGHT PIPE INDICATORS

*\* Series Part Numbers: PM3-K and PM5-K*

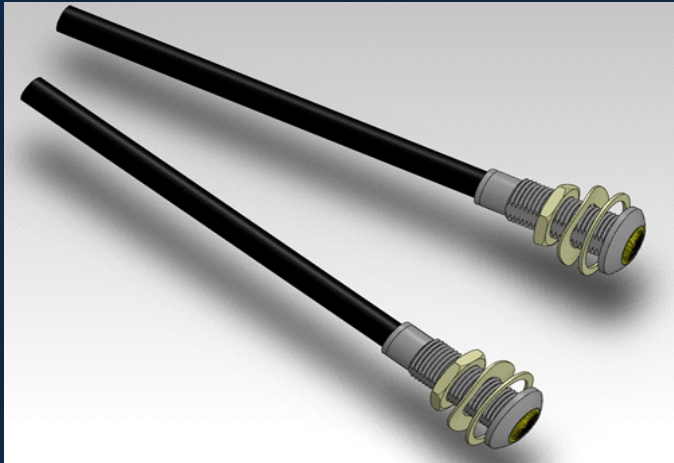
The Quick-Mount Flexible Light Pipe Indicator Series features a unique, quick locking mechanism, "Quick Nut" to provide instant panel hook up that does not require water or moisture protection. The housing and lens are made of ESD protected material. A diffused lens provides uniform illumination and wide angle viewing capability.

### FEATURES AND BENEFITS

- The Flexible Light Pipe system is composed of three parts provided together, the flexible light pipe, the lens and the adapter. The adapters are designed to work with surface mount LEDs, Orca LEDs as well as vertical and horizontal thru-hole mounted LEDs.
- The lenses are molded from an optical grade engineered plastic, which allows for maximum light transmission.

### APPLICATIONS

- Communication Applications
- Commercial Applications
- Industrial Applications
- Security Applications
- General Signage Applications



# FLEXIBLE LIGHT PIPE INDICATORS

IP67 RATED

\* *Series Part Numbers: PM3-A and PM5-A*

The IP67 Rated Flexible Light Pipe Indicators feature a watertight seal from the front of the panel, ideal for water, dust, and moisture protection. The housing and lens are made of ESD protected material, the threaded housing provides positive locking for constant vibration, ideal for a robust environment. A diffused lens provides uniform illumination and wide angle viewing capability.

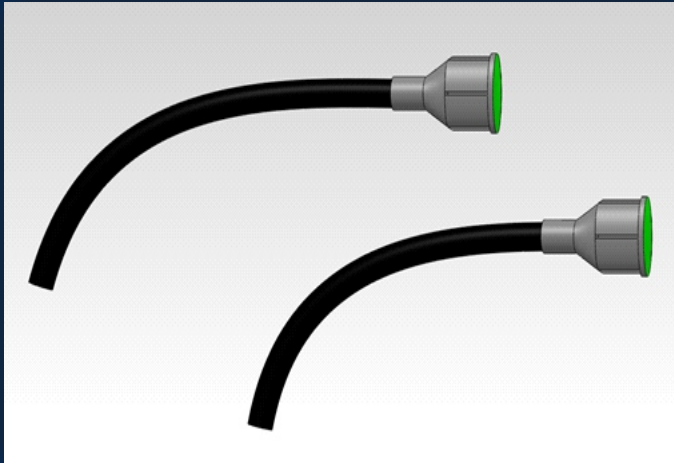
## FEATURES AND BENEFITS

- The Flexible Light Pipe system is composed of three parts provided together, the flexible light pipe, the lens and the adapter. The adapters are designed to work with surface mount LEDs, Orca LEDs as well as vertical and horizontal thru-hole mounted LEDs.
- Lenses are molded from an optical grade engineered plastic, which allows for maximum light transmission.

## APPLICATIONS

- Commercial Applications
- Industrial Applications
- Defense and Military Equipment
- Communication Applications
- Transportation (aircraft, auto, marine, trains)
- Medical Applications





## FLEXIBLE LIGHT PIPE INDICATORS

\* Series Part Numbers: PM4-C, PM4-D, and PM4-F  
PM5-C  
PM7-C

The Flexible Light Pipe Indicator Series features fast press-fit, the most efficient method of transmitting light from the LED to the front panel. Lens options include clear, diffused, and flat, providing various options for excellent wide angle viewing capability and uniform illumination.

### FEATURES AND BENEFITS

- The Flexible Light Pipe system is composed of three parts provided together, the flexible light pipe, the lens and the adapter. The adapters are designed to work with surface mount LEDs, Orca LEDs as well as vertical and horizontal thru-hole mounted LEDs.
- The lenses are ESD protected, and molded from an optical grade engineered plastic, which allows for maximum light transmission.

### APPLICATIONS

- Communication Applications
- Commercial Applications
- Industrial Applications
- Security Applications



# FLEXIBLE LIGHT PIPE INDICATORS

IP67 RATED

\* *Series Part Numbers: PM3-P and PM5-P*

The IP67 Rated Flexible Light Pipe Indicators feature a watertight seal from the front of the panel, ideal for water, dust, and moisture protection. The housing and lens are made of ESD protected material, the threaded housing provides positive locking for constant vibration, ideal for a robust environment. A diffused lens provides uniform illumination and wide angle viewing capability.

## FEATURES AND BENEFITS

- The Flexible Light Pipe system is composed of three parts provided together, the flexible light pipe, the lens and the adapter. The adapters are designed to work with surface mount LEDs, Orca LEDs as well as vertical and horizontal thru-hole mounted LEDs.
- Lenses are molded from an optical grade engineered plastic, which allows for maximum light transmission.

## APPLICATIONS

- Commercial Applications
- Industrial Applications
- Defense and Military Equipment
- Security Applications
- Transportation
- Outdoor Signage Applications