

AsahiKASEI
ASAHI KASEI MICRODEVICES

AK1590

1GHz Delta-Sigma Fractional-N Frequency Synthesizer

1. Overview

AK1590 is a Delta-Sigma Fractional-N PLL (Phase Locked Loop) frequency synthesizer with a frequency switching function, covering a wide range of frequencies from 60 to 1000MHz. This product consists of an 18-bit Delta-Sigma modulator, a low-noise phase frequency comparator, a highly accurate charge pump, a reference divider, dual-module prescaler (P/P+1) and frequency offset adjustable circuits.

2. Features

- Operating frequency: 60 to 1000MHz
- Programmable charge pump current: In a normal operating scheme, the charge pump current can be set in 8 steps, in the range from 20 to 168 μ A.
In a Fast Lockup scheme, the charge pump current can be set in 8 steps, in the range from 0.8 to 2.3mA.
- Supply Voltage: 2.7 to 5.5 V (PVDD pin)
- Separate power supply for the charge pump: PVDD to 5.5V (CPVDD pin)
- On-chip power-saving features
- Frequency offset adjustable function: No glitch operation for AFC(Automatic Frequency Control) and DFM(Digital Frequency Modulation);
When the offset adjustable register is accessed, INT and NUM are recalculated internally.
- General-purpose output: Two general-purpose output ports to control peripheral parts
- Low phase noise: -201dBc/Hz
- Low consumption current: 2.5mA typ
- Package: 24pin QFN (0.5mm pitch, 4mm \times 4mm \times 0.7mm)
- Operating temperature: -40 to +85 $^{\circ}$ C

Table of Contents

1.	<i>Overview</i>	1
2.	<i>Features</i>	1
3.	<i>Block Diagram</i>	3
4.	<i>Pin Functional Description</i>	4
5.	<i>Absolute Maximum Ratings</i>	6
6.	<i>Recommended Operating Range</i>	6
7.	<i>Electrical Characteristics</i>	7
8.	<i>Block Functional Descriptions</i>	11
9.	<i>Register Map</i>	20
10.	<i>Register Functional Description</i>	21
11.	<i>IC Interface Schematic</i>	27
12.	<i>Recommended Connection Schematic for Off-Chip Components</i>	29
13.	<i>Power-up Sequence</i>	31
14.	<i>Typical Evaluation Board Schematic</i>	32
15.	<i>Block Diagram by Power Supply</i>	33
16.	<i>Outer Dimensions</i>	34
17.	<i>Marking</i>	35

In this specification, the following notations are used for specific signal and register names:

[Name] : Pin name

<Name> : Register group name (Address name)

{Name} : Register bit name

4. Pin Functional Description

Table 1 Pin Function

No.	Name	I/O	Pin Functions	Power down	Remarks
1	CPVDD	P	Power supply for charge pump		
2	TEST3	DI	Test pin 3. This pin must be connected to ground.		Internal pull-down, Schmidt trigger input
3	TEST1	DI	Test pin 1. This pin must be connected to ground.		Internal pull-down, Schmidt trigger input
4	LE	DI	Load enable		Schmidt trigger input
5	DATA	DI	Serial data input		Schmidt trigger input
6	CLK	DI	Serial clock		Schmidt trigger input
7	LD	DO	Lock detect	Low	
8	PDN2	DI	Power down pin for PLL		Schmidt trigger input
9	PDN1	DI	Power down signal for LDO		Schmidt trigger input
10	REFIN	AI	Reference input		
11	TEST2	DI	Test pin 2. This pin must be connected to ground.		Internal pull-down, Schmidt trigger input
12	GPO1	DO	General-purpose output pin 1	Low	
13	GPO2	DO	General-purpose output pin 2	Low	
14	DVSS	G	Digital ground pin		
15	VREF	AIO	Connect to LDO reference voltage capacitor	Low	
16	RFINN	AI	Prescaler input		
17	RFINP	AI	Prescaler input		
18	PVDD	P	Power supply for peripherals		
19	BIAS	AIO	Resistance pin for setting charge pump output current		
20	PVSS	G	Ground pin for peripherals		
21	CP	AO	Charge pump output	Hi-Z	
22	CPZ	AIO	Connect to the loop filter capacitor		Note 1, Note 2
23	SWIN	AI	Connect to resistance pin for Fast Lockup		Note 1, Note 2
24	CPVSS	G	Ground pin for charge pump		

Note 1) For detailed functional descriptions, see the section “Charge Pump and Loop Filter” in “8. Block Functional Description” below.

Note 2) The input voltage from [CPZ] pin is used in the internal circuit. [CPZ] pin must not be open even when the Fast Lockup feature is unused. For the output destination from [CPZ] pin, see “Fig.5 Loop Filter Schematic”.

[SWIN] pin could be open when the Fast Lockup feature is not used.

The state of loop filter switch is ON when “[PDN1]=Low, [PDN2]=Low” or “[PDN1]=High, [PDN2]=Low”.

Note 3) Power down means the state where [PDN1]=[PDN2]=Low after power on.

AI: Analog input pin	AO: Analog output pin	AIO: Analog I/O pin	DI: Digital input pin
DO: Digital output pin	P: Power supply pin	G: Ground pin	

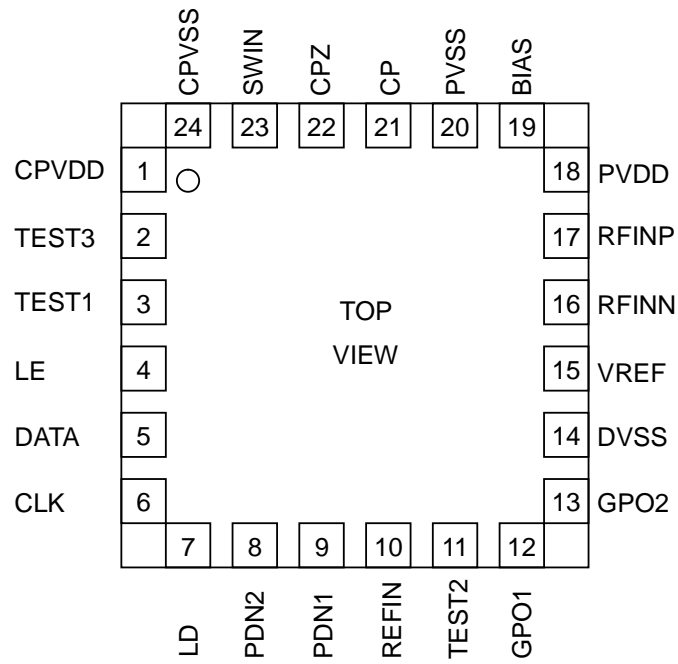


Fig. 2 Package Pin Layout

5. Absolute Maximum Ratings

Table 2 Absolute Maximum Ratings

Parameter	Symbol	Min.	Max.	Unit	Remarks
Supply Voltage	VDD1	-0.3	6.5	V	Note 1, Note 2
	VDD2	-0.3	6.5	V	Note 1, Note 3
Ground Level	VSS1	0	0	V	Voltage ground level, Note 4
	VSS2	0	0	V	Voltage ground level, Note 5
	VSS3	0	0	V	Voltage ground level, Note 6
Analog Input Voltage	VAIN1	VSS1-0.3	VDD1+0.3	V	Note 1, Note 7, Note 10
	VAIN2	VSS2-0.3	VDD2+0.3	V	Note 1, Note 8, Note 10
Digital Input Voltage	VDIN	VSS3-0.3	VDD1+0.3	V	Note 1, Note 9, Note 10
Input Current	IIN	-10	10	mA	
Storage Temperature	Tstg	-55	125	°C	

Note 1) 0V reference for all voltages.

Note 2) Applied to [PVDD] pin.

Note 3) Applied to [CPVDD] pin

Note 4) Applied to [PVSS] pin.

Note 5) Applied to [CPVSS] pin.

Note 6) Applied to [DVSS] pin.

Note 7) Applied to [REFIN], [RFINN] and [RFINP] pins.

Note 8) Applied to [CPZ] and [SWIN] pins.

Note 9) Applied to [CLK], [DATA], [LE], [PDN1] and [PDN2] pins.

Note 10) Maximum must not be over 6.5V.

Exceeding these maximum ratings may result in damage to AK1590. Normal operation is not guaranteed at these extremes.

6. Recommended Operating Range

Table 3 Recommended Operating Range

Parameter	Symbol	Min.	Typ.	Max.	Unit	Remarks
Operating Temperature	Ta	-40		85	°C	
Supply Voltage	VDD1	2.7	3.3	5.5	V	Applied to [PVDD] pin
	VDD2	VDD1	5.0	5.5	V	Applied to [CPVDD] pin

VDD1 and VDD2 can be driven individually within the recommended operating range.

The specifications are applicable within the recommended operating range (supply voltage / operating temperature).

7. Electrical Characteristics

1. Digital DC Characteristics

Table 4 Digital DC Characteristics

Parameter	Symbol	Conditions	Min.	Typ.	Max.	Unit	Remarks
High level input voltage	Vih		0.8×VDD1			V	Note 1
Low level input voltage	Vil				0.2×VDD1	V	Note 1
High level input current	Iih	Vih = VDD1 = 5.5V	-1		1	μA	Note 1
Low level input current	Iil	Vil = 0V, VDD1 = 5.5V	-1		1	μA	Note 1
High level output voltage	Voh	Ioh = -500μA	VDD1-0.4			V	Note 2
Low level output voltage	Vol	Iol = 500μA			0.4	V	Note 2

Note 1) Applied to [CLK], [DATA], [LE], [PDN1] and [PDN2] pins.

Note 2) Applied to [LD], [GPO1] and [GPO2] pins.

2. Serial Interface Timing

<Write-In Timing>

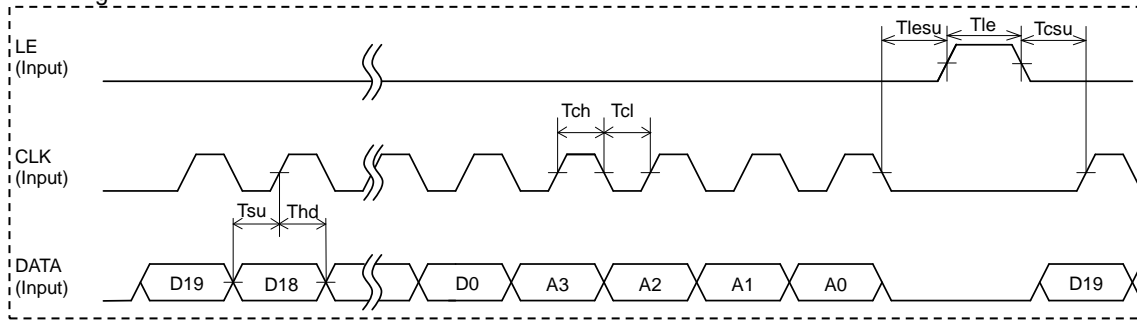


Fig. 3 Serial Interface Timing Chart

Table 5 Serial Interface Timing

Parameter	Symbol	Min.	Typ.	Max.	Unit	Remarks
Clock L level hold time	Tcl	40			ns	
Clock H level hold time	Tch	40			ns	
Clock setup time	Tcsu	20			ns	
Data setup time	Tsu	20			ns	
Data hold time	Thd	20			ns	
LE Setup Time	Tlesu	20			ns	
LE Pulse Width	Tle	40			ns	

Note 1) While [LE] pin is setting at “Low”, 24 iteration clocks have to be set with [CLK] pin. If 25 or more clocks are set, the last 24 clocks synchronized data are valid.

Note 2) OFFSET register must be written at the lower speed than calculated frequency by “ $1/3.5 \times RF \text{ Frequency} / (INT+7)$ ”. If the writing speed is faster than this, the setting is invalid.

3. Analog Circuit Characteristics

The resistance of 27kΩ is connected to [BIAS] pin, VDD1 = 2.7V to 5.5V, VDD2 = VDD1 to 5.5V, $-40^{\circ}\text{C} \leq T_a \leq 85^{\circ}\text{C}$

Parameter	Min.	Typ.	Max.	Unit	Remarks
RF Characteristics					
Input Sensitivity	-10		+5	dBm	
Input Frequency	60		500	MHz	Prescaler 4/5
	60		1000	MHz	Prescaler 8/9,16/17
REFIN Characteristics					
Input Sensitivity	0.4		2	Vpp	
Input Frequency	5		40	MHz	
Prescaler					
Maximum Allowable Prescaler Output Frequency			125	MHz	
Phase Detector					
Phase Detector Frequency			5	MHz	
Charge Pump					
Charge Pump 1 Maximum Current		168.9		μA	
Charge Pump 1 Minimum Current		21.1		μA	
Charge Pump 2 Maximum Current		2.32		mA	
Charge Pump 2 Minimum Current		0.84		mA	
Icp TRI-STATE Leak Current		1		nA	$0.6 \leq V_{cpo} \leq VDD2-0.7$
Mismatch between Source and Sink Currents (Note 1)			10	%	$V_{cpo} = VDD2/2, T_a = 25^{\circ}\text{C}$
Icp vs. Vcpo (Note 2)			15	%	$0.5 \leq V_{cpo} \leq VDD2-0.5, T_a = 25^{\circ}\text{C}$
Regulator					
VREF Rise Time			50	μs	
Current Consumption					
IDD1			10	μA	Power Down mode [PDN1]="Low", [PDN2]="Low"
IDD2		2.4	3.6	mA	[PDN1]="High", [PDN2]="High" IDD for [PVDD]
IDD3		0.17		mA	[PDN1]="High", [PDN2]="High" IDD for [CPVDD] (Note 3)
IDD4		0.5		mA	Power Save mode [PDN1]="High", [PDN2]="Low"

Note 1) Mismatch between Source and Sink Currents: $\frac{(|I_{sink}| - |I_{source}|)}{(|I_{sink}| + |I_{source}|)/2} \times 100$ [%]

Note 2) See "Fig. 4 Charge Pump Characteristics - Voltage vs. Current": Icp vs. Vcpo:

$$\frac{\{1/2 \times (|I_1| - |I_2|)\}}{\{1/2 \times (|I_1| + |I_2|)\}} \times 100$$
 [%]

Note 3) I_{DD3} is the current that consumes constantly at [CPVDD]. This does not include the operation current in Fast Lockup mode.

Note 4) When both [PDN1] and [PDN2] are "High", the total current consumption is equivalent to " $I_{DD2}+I_{DD3}$ ".

Note 5) In the shipment test, the exposed pad on the center of the back of package is connected to ground.

Resistance Connected to BIAS Pin for Setting Charge Pump Output Current

Parameter	Min.	Typ.	Max.	Unit	Remarks
BIAS resistance	22	27	33	kΩ	

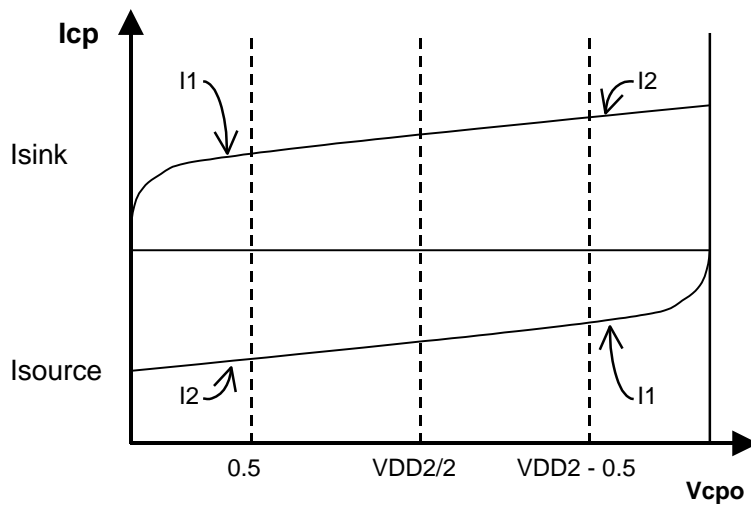


Fig. 4 Charge Pump Characteristics - Voltage vs. Current

8. Block Functional Descriptions

1. Frequency Setup

AK1590 is a Fractional-N type synthesizer that takes 2^{18} as the denominator, which calculates the integer and numerator to be set using the following formulas:

$$\begin{aligned} \text{Frequency setting} &= F_{\text{PFD}} \times (\text{Integer} + \text{Numerator} / 2^{18}) \\ \text{Integer} &= \text{ROUND} (\text{Target Frequency} / F_{\text{PFD}}) \\ \text{Numerator} &= \text{ROUND} \{(\text{Target Frequency} - \text{Integer} \times F_{\text{PFD}}) / (F_{\text{PFD}} / 2^{18})\} \end{aligned}$$

Note) ROUND: Rounded off to the nearest integer

F_{PFD} : Phase Frequency Detector comparative Frequency (= [REFIN] input frequency / R divider ratio)

- **Calculation examples**

Example 1) The numerator is positive; when the target frequency is 950.0375MHz and F_{PFD} is 1MHz.

$$\text{Integer} = 950.0375\text{MHz} / 1\text{MHz} = 950.0375$$

It is rounded off to 950 (decimal) = 3B6 (hexadecimal) = 0011 1011 0110 (binary)

$$\text{Numerator} = (950.0375\text{MHz} - 950 \times 1\text{MHz}) / (1\text{MHz} / 2^{18}) = 9830.4$$

It is rounded off to 9830 (decimal) = 2666 (hexadecimal) = 10 0110 0110 0110 (binary)

$$\text{Frequency setting} = 1\text{MHz} \times (950 + 9830 / 2^{18}) = 950.0374985\text{MHz}$$

(In this case the frequency error is 1.5Hz.)

Example 2) The numerator is negative; when the target frequency is 950.550MHz and F_{PFD} is 1MHz.

$$\text{Integer} = 950.550\text{MHz} / 1\text{MHz} = 950.550$$

It is rounded off to 951 (decimal) = 3B7 (hexadecimal) = 0011 1011 0111 (binary)

$$\text{Numerator} = (950.550\text{MHz} - 951 \times 1\text{MHz}) / (1\text{MHz} / 2^{18}) = -117964.8$$

It is rounded off to -117965 (decimal), which is reduced from 2^{18} to be converted into binary for 2's complementary expression.

$$2^{18} - 117965 \text{ (decimal)} = 144179 \text{ (decimal)} = 23333 \text{ (hexadecimal)} = 10 0011 0011 0011 0011 \text{ (binary)}$$

$$\text{Frequency setting} = 1\text{MHz} \times (951 + (-117965/2^{18})) = 950.5499992\text{MHz}$$

(In this case the frequency error is 0.8Hz.)

- **Calculation of 2's complement representation**

1) Positive number: Binary expression (Unmanipulated) exp. 100 (decimal)
64 (hexadecimal) = 110 0100 (binary)

2) Negative number: 2^{18} minus this number in binary expression exp. -100 (decimal)
 $2^{18} - 100 = 262044$ (decimal) = 3FF9C (hexadecimal) = 11 1111 1111 1001 1100 (binary)

2. Frequency Offset Adjustment

AK1590 has an offset adjustable register which can tune the carrier frequency set by {NUM[17:0]} in <Address1> and {INT[14:0]} in <Address2>. When the offset register: {OFST[17:0]} in <Address6> is accessed, {NUM[17:0]} and {INT[14:0]} are internally recalculated automatically and their recalculated data are used in delta-sigma and N-divider. This operation is suitable for AFC and DFM applications.

When frequency offset is not used, the offset register must be written 00000 (hexadecimal).

- **Setting examples**

Example 1) The frequency offset is positive; when the frequency offset is 100Hz and F_{PFD} is 1MHz.

$$\text{Frequency offset} = 100\text{Hz} / (1\text{MHz}/2^{18}) = 26.2$$

It is round off to 26 (decimal) = 1A (hexadecimal) = 11010 (binary)

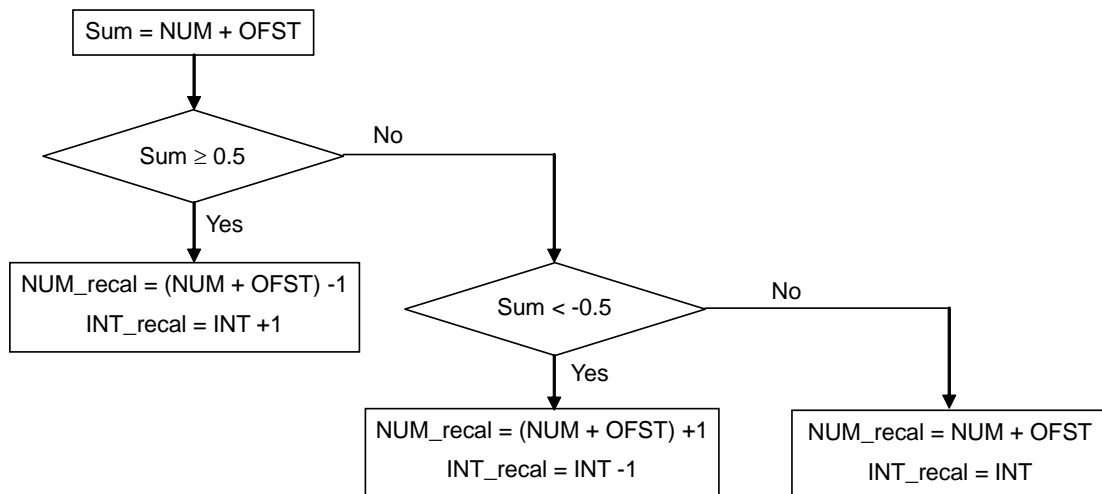
Example 2) The frequency offset is negative; when the frequency offset is -100Hz and F_{PFD} is 1MHz.

$$\text{Frequency offset} = -100\text{Hz} / (1\text{MHz}/2^{18}) = -26.2$$

It is round off to -26 (decimal), which is reduced from 2^{18} to be converted into binary for 2's complementary expression.

$$2^{18} - 26 = 262118 \text{ (decimal)} = 3FFE6 \text{ (hexadecimal)} = 11\ 1111\ 1111\ 1110\ 0110 \text{ (binary)}$$

- **Algorithm of recalculation**



INT	written data in integer register {INT[14:0]}
NUM	written data in numerator register {NUM[17:0]}
OFST	written data in offset register {OFST[17:0]}
INT_recal	recalculated integer data
NUM_recal	recalculated numerator data

3. Charge Pump and Loop Filter

AK1590 has two charge pumps; Charge Pump 1 for normal operation and Charge Pump 2 for Fast Lockup mode.

The internal timer is used to switch these two charge pumps to achieve a Fast Lock PLL.

The loop filter is external and connected to [CP], [SWIN] and [CPZ] pins. [CPZ] pin should be connected to R2 and C2, which are intermediate nodes, even if the Fast Lockup is not used. Therefore, R2 must be connected to [CP] pin, while C2 must be connected to the ground.

R2 and R2' are connected in parallel with internal switch in Fast Lockup. These R2 and R2' parallel resistance value is required for calculating loop bandwidth and phase margin in Fast Lockup operation.

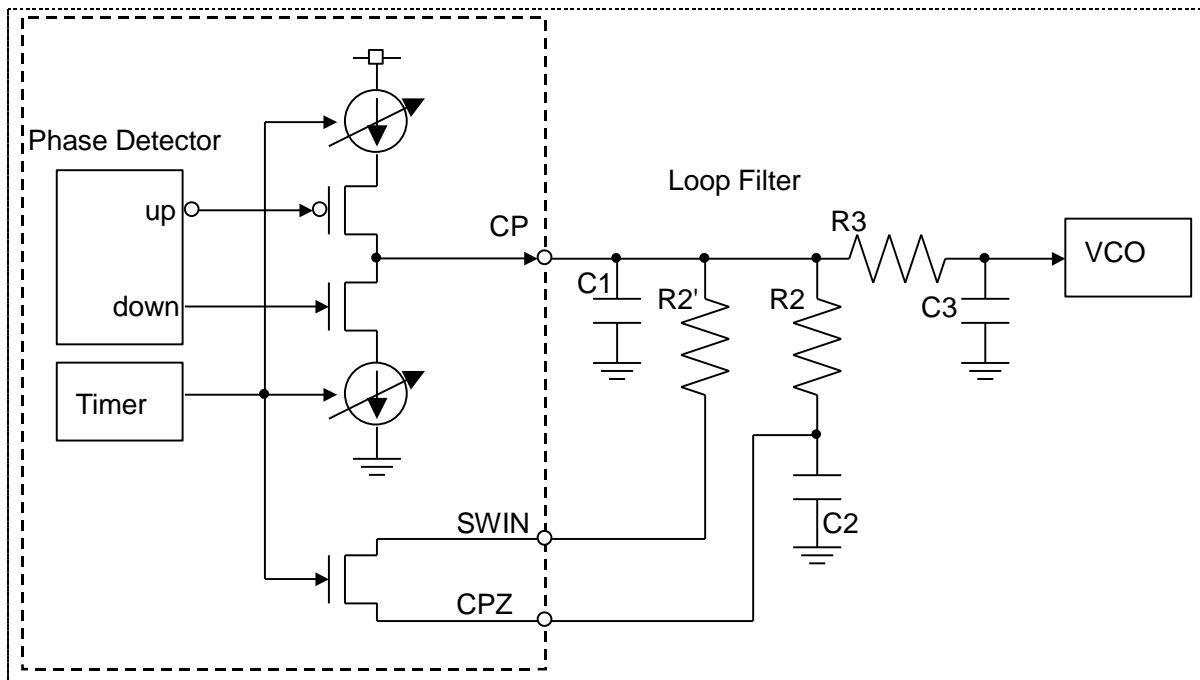


Fig. 5 Loop Filter Schematic

4. Fast Lockup Mode

Setting D[16] = {FASTEN} in <Address4> to "1" enables the Fast Lockup mode for AK1590.

Changing a frequency setting (The frequency changes at the rising edge of [LE], when <Address1> and <Address2> are accessed.) or [PDN2] pin is turned from "Low" to "High" with {FASTEN}=1 enables the Fast Lockup mode. The loop filter switch turns ON during the timer period specified by the counter value in D[12:0] = {FAST[12:0]} in <Address4>, and the charge pump for the Fast Lockup mode (Charge Pump 2) is enabled. After the timer period elapsed, the loop filter switch turns OFF. The charge pump for normal operation (Charge Pump 1) is enabled. D[12:0] = {FAST[12:0]} in <Address4> is used to set the timer period for this mode.

The following formula is used to calculate the time period:

$$\text{Phase detector frequency cycle} \times \text{counter value set in } \{FAST[12:0]\}$$

The charge pump current can be adjusted with the register setting in 8 steps in normal operation (Charge Pump 1) and 8 steps in the Fast Lockup operation (Charge Pump 2).

The charge pump current for normal operation (Charge Pump 1) is determined by the setting in {CP1[2:0]}, which is a 3-bit address of D[17:15] in <Address2>, and a value of the resistance connected to [BIAS] pin. The following formulas show the relationship between the resistance value, the register setting and the current.

$$\text{Charge Pump 1 minimum current (CP1_min)} = 0.57 / \text{Resistance connected to [BIAS] pin}$$

$$\text{Charge Pump 1 current} = \text{CP1_min} \times (\{CP1[2:0]\} + 1)$$

The charge pump current for the Fast Lockup mode operation (Charge Pump 2 current) is determined by the setting in {CP2[2:0]}, which is a 3-bit address of D[15:13] in <Address4>, and a value of the resistance connected to [BIAS] pin. The following formulas show the relationship between the resistance value, the register setting and the current.

$$\text{Charge Pump 2 minimum current (CP2_min)} = 5.7 / \text{Resistance connected to [BIAS] pin}$$

$$\text{Charge Pump 2 current} = \text{CP2_min} \times (\{CP2[2:0]\} + 4)$$

The allowed range for the resistance (connected to [BIAS] pin) is from 22 to 33kΩ for both normal and Fast Lockup mode operations. For details of current settings, see "10. Register Functional Description".

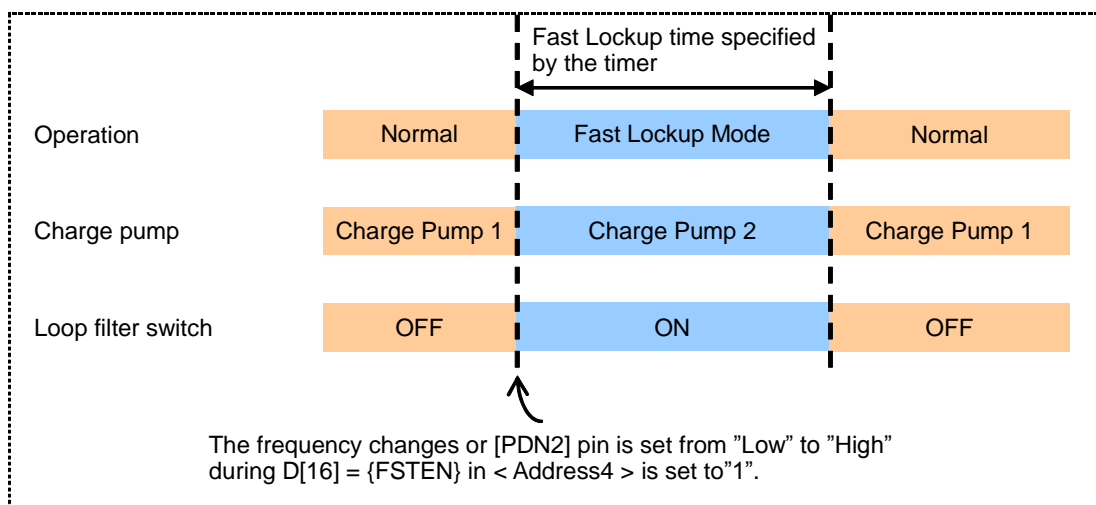


Fig. 6 Timing Chart for Fast Lockup Mode

5. Lock Detect (LD) Signal

In AK1590, "lock detect" output can be selected by D[11] = {LD} in <Address3>. When D[11] is set to "1", the phase detector output provides a phase detection status as an analog level (comparison result). This is called "Analog Lock Detect".

When D[11] is set to "0", the lock detect signal outputs according to the on-chip logic. This is called "Digital Lock Detect".

5.1 Analog Lock Detect

In analog lock detect, the phase detector output comes from [LD] pin.

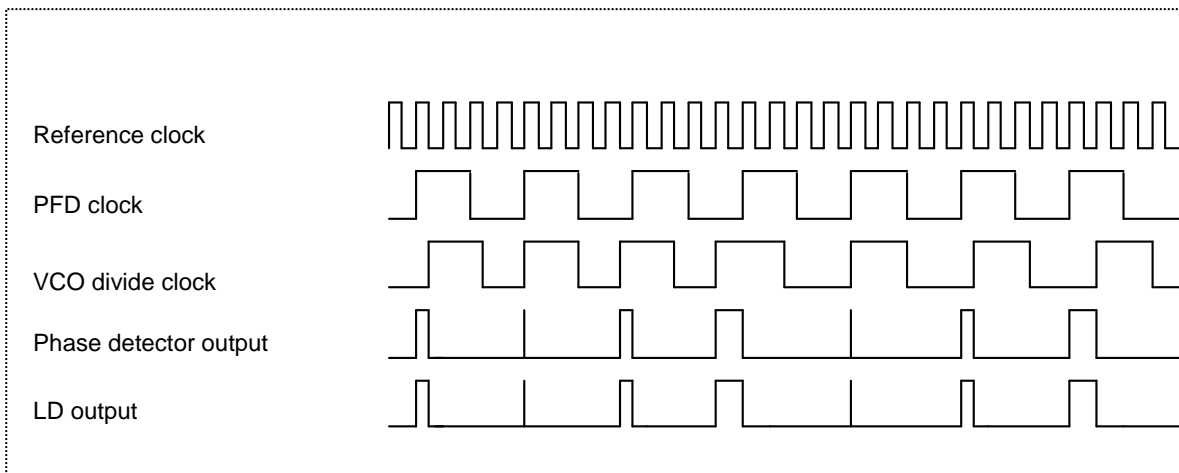


Fig. 7 Analog Lock Detect Operation

5.2 Digital Lock Detect

In digital lock detect, [LD] pin outputs "Low" when the frequency is set. The output of [LD] pin turns from "Low" to "High" (which means "locked state") when a phase error smaller than T is detected for 63 times consecutively. If the phase error that is larger than T is detected for 63 times consecutively during [LD] pin outputs "High", the output of [LD] pin turns to "Low" (which means "unlocked state").

The accuracy of the phase detect is set by {LDCKSEL[1:0]}.

{LDCKSEL[1:0]} is set to "00": T = REFIN cycle (This is not available for the reference dividing ratio ≤ 3 .)

{LDCKSEL[1:0]} is set to "01": T = REFIN cycle $\times 2$ (This is not available for the reference dividing ratio ≤ 5 .)

{LDCKSEL[1:0]} is set to "10": T = REFIN cycle $\times 3$ (This is not available for the reference dividing ratio ≤ 6 .)

Since AK1590 is a Delta-Sigma Fractional-N type, a phase error up to 7 times larger than the VCO period frequency may occur in the phase detector. Therefore {LDCKSEL[1:0]} setting should be large enough to cover the amplitude of the Delta-Sigma Fractional frequency. However, if the VCO frequency does not satisfy either of the following formula, the digital lock detect is not available. In such case, the analog lock detect should be used.

{DITH} = D[14] in <Address3> is set to "1" (DITH ON):

$$\text{VCO frequency} > [\text{REFIN}] \text{ pin input frequency} / \{ \{ \text{LDCKSEL}[1:0] \} + 1 \} \times 7$$

{DITH} = D[14] in <Address3> is set to "0" (DITH OFF):

$$\text{VCO frequency} > [\text{REFIN}] \text{ pin input frequency} / \{ \{ \text{LDCKSEL}[1:0] \} + 1 \} \times 4$$

Example 1)

When [REFIN] input frequency = 33.6MHz, {DITH} = 1, {LDCKSEL[1:0]} = "10";

$$33.6\text{MHz} / (2+1) \times 7 = 78.4\text{MHz}$$

As a result, the digital lock detect is not available if the VCO frequency is equivalent to or smaller than 78.4MHz.

Example 2)

When [REFIN] input frequency = 33.6MHz, {DITH} = 0, {LDCKSEL[1:0]} = "01";

$$33.6\text{MHz} / (1+1) \times 4 = 67.2\text{MHz}$$

As a result, the digital lock detect is not available if the VCO frequency is equivalent to or smaller than 67.2MHz.

□ Setup example

{DITH} = D[14] in <Address3> is set to "1" (DITH ON):

	Digital Lock Detect Available	Digital Lock Detect Unavailable
VCO frequency	180MHz	70MHz
[REFIN] input frequency	12.8MHz	32MHz
{LDCKSEL[1:0]}	"00"	"10"
Calculation	$180\text{MHz} > 12.8 / (0+1) \times 7 = 89.6\text{MHz}$	$70\text{MHz} < 32 / (2+1) \times 7 = 74.67\text{MHz}$

{DITH} = D[14] in <Address3> is set to "0" (DITH OFF):

	Digital Lock Detect Available	Digital Lock Detect Unavailable
VCO frequency	180MHz	60MHz
[REFIN] input frequency	12.8MHz	32MHz
{LDCKSEL[1:0]}	"00"	"01"
Calculation	$180\text{MHz} > 12.8 / (0+1) \times 4 = 51.2\text{MHz}$	$60\text{MHz} < 32 / (1+1) \times 4 = 64\text{MHz}$

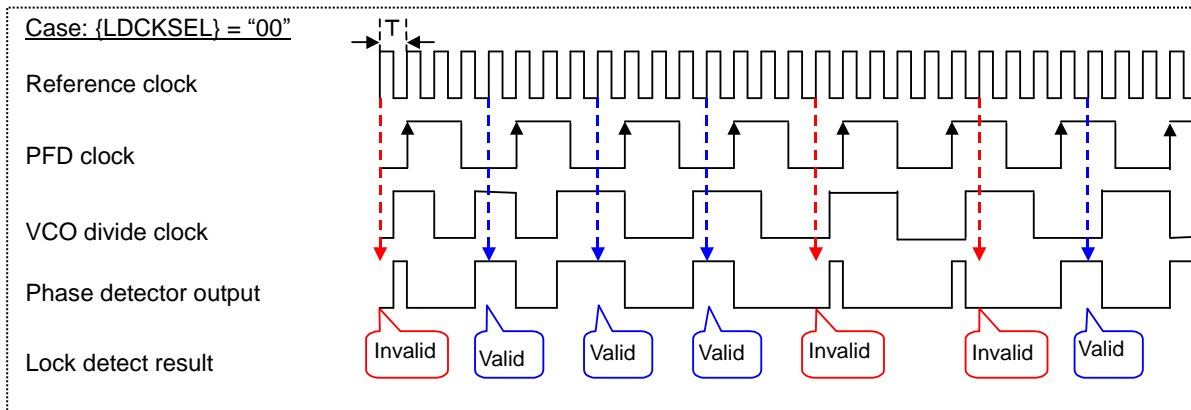


Fig. 8 Digital Lock Detect Operation

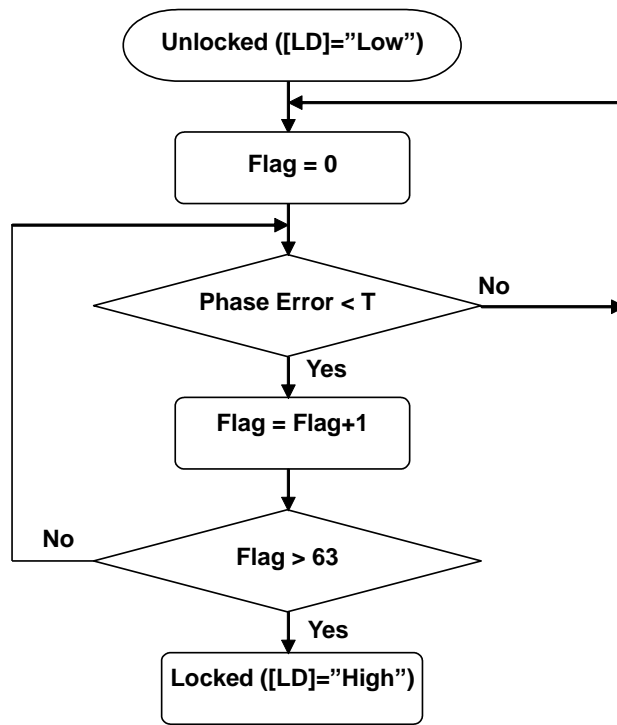


Fig. 9 Transition Flow Chart: Unlocked State to Locked State

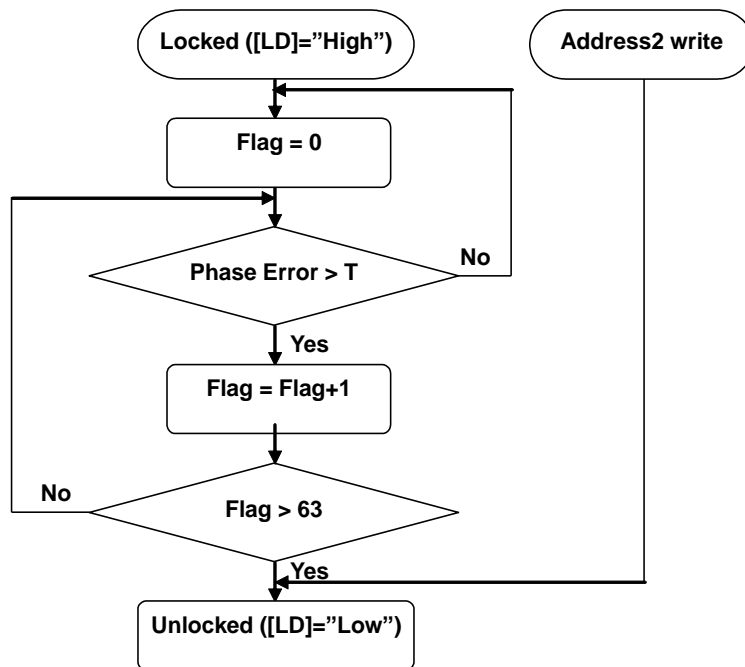


Fig. 10 Transition Flow Chart: Locked State to Unlocked State

6. Reference Input

The reference input can be set with a dividing number in the range of 4 to 255 using {R[7:0]}, which is a 8-bit address in <Address3>. A dividing number from 0 to 3 cannot be set.

7. Prescaler and Swallow Counter

The dual modulus prescaler (P/P+1) and the swallow counter are used to provide a large dividing ratio.

The prescaler is set by {PRE[1:0]}, which is a 2-bit address in <Address3>.

When {PRE[1:0]} = "00", P = 4 is selected and then an integer from 89 to 8191 can be set.

When {PRE[1:0]} = "01", P = 8 is selected and then an integer from 201 to 16383 can be set.

When {PRE[1:0]} = "10" or "11", P = 16 is selected and then an integer from 521 to 32767 can be set.

For details of how to calculate an integer, see the section "Frequency Setup" in "8. Block Functional Description".

8. Operation Mode

AK1590 can be operated in Power Down or Power Save mode as necessary by using the external control pins [PDN1] and [PDN2].

- Power On
See "13. Power-up Sequence".
- Normal Operation

Pin name		Mode
PDN1	PDN2	
"Low"	"Low"	Power Down mode
"Low"	"High"	Prohibited
"High"	"Low"	Power Save mode (Note 1 and Note 2)
"High"	"High"	Normal Operation mode

Note 1) Registers setting can be acceptable after 50 μ s from [PDN1] is set to "High". The charge pump is in Hi-Z state during this period.

Note 2) Registers value are maintained when [PDN2] is set to "Low" during normal operation mode.

9. Register Map

Name	Data	Address			
Num	D19 to D0	0	0	0	1
Int		0	0	1	0
Div		0	0	1	1
Cp_fast		0	1	0	0
GPO		0	1	0	1
Offset		0	1	1	0

Name	D19	D18	D17	D16	D15	D14	D13	D12	D11	D10	D9	D8	D7	D6	D5	D4	D3	D2	D1	D0	Address
Num	0	0	NUM [17]	NUM [16]	NUM [15]	NUM [14]	NUM [13]	NUM [12]	NUM [11]	NUM [10]	NUM [9]	NUM [8]	NUM [7]	NUM [6]	NUM [5]	NUM [4]	NUM [3]	NUM [2]	NUM [1]	NUM [0]	0x01
Int	0	0	CP1 [2]	CP1 [1]	CP1 [0]	INT [14]	INT [13]	INT [12]	INT [11]	INT [10]	INT [9]	INT [8]	INT [7]	INT [6]	INT [5]	INT [4]	INT [3]	INT [2]	INT [1]	INT [0]	0x02
Div	0	0	0	0	CP HiZ	DITH	LDCK SEL[1]	LDCK SEL[0]	LD	CP POLA	PRE [1]	PRE [0]	R [7]	R [6]	R [5]	R [4]	R [3]	R [2]	R [1]	R [0]	0x03
Cp_fast	0	0	0	FAST EN	CP2 [2]	CP2 [1]	CP2 [0]	FAST [12]	FAST [11]	FAST [10]	FAST [9]	FAST [8]	FAST [7]	FAST [6]	FAST [5]	FAST [4]	FAST [3]	FAST [2]	FAST [1]	FAST [0]	0x04
GPO	0	0	0	0	0	0	0	0	0	0	0	0	0	0	0	0	0	0	GPO 2	GPO 1	0x05
Offset	0	0	OFST [17]	OFST [16]	OFST [15]	OFST [14]	OFST [13]	OFST [12]	OFST [11]	OFST [10]	OFST [9]	OFST [8]	OFST [7]	OFST [6]	OFST [5]	OFST [4]	OFST [3]	OFST [2]	OFST [1]	OFST [0]	0x06

Note 1) Writing into address 0x01 is enabled when writing into address 0x02 is performed. Be sure to write into address 0x01 first and then address 0x02.

Note 2) The initial register values are not defined just after [PDN1] releases ([PDN1] set to “High”). Therefore, even after [PDN1] is set to “High”, each bit value remains undefined. In order to set all register values, it is required to write the data in all addresses of the register.

10. Register Functional Description
--

< Address 1: Num >

D19	D18	D[17:0]	Address
0	0	NUM[17:0]	0001

Note) Writing into address 0x01 is enabled when writing into address 0x02 is performed.

NUM[17:0] : Set the numerator in 2's complementary representation.

< Address 2: Int >

D19	D18	D[17:15]	D[14:0]	Address
0	0	CP1[2:0]	INT[14:0]	0010

CP1[2:0]: Set the current value for the charge pump in normal operation (Charge Pump 1).

Charge Pump 1 current is determined by the following formula:

$$CP1_min = 0.57 / \text{Resistance connected to [BIAS] pin}$$

$$\text{Charge Pump 1 current} = CP1_min \times ((CP1[2:0]) + 1)$$

D[17:15]	Charge Pump 1 current [μA]		
	22kΩ	27kΩ	33kΩ
000	25.9	21.1	17.3
001	51.8	42.2	34.5
010	77.7	63.3	51.8
011	103.6	84.4	69.1
100	129.5	100.6	86.4
101	155.5	126.7	103.6
110	181.4	147.8	120.9
111	207.3	168.9	138.2

INT[14:0] : Set the integer.

When {PRE[1:0]} = "00", P = 4 is selected and then an integer from 89 to 8191 can be set.

When {PRE[1:0]} = "01", P = 8 is selected and then an integer from 201 to 16383 can be set.

When {PRE[1:0]} = "10" or "11", P = 16 is selected and then an integer from 521 to 32767 can be set.

< Address 3: Div >

D19	D18	D17	D16	D15	D14	D[13:12]	D11	D10	D[9:8]	D[7:0]	Address
0	0	0	0	CPHIZ	DITH	LDCKSEL[1:0]	LD	CPPOLA	PRE[1:0]	R[7:0]	0011

CPHIZ: Select normal or TRI-STATE for the CP1/CP2 output.

D15	Function	Remarks
0	Charge pumps are activated	Use this setting for normal operation
1	TRI-STATE	Note 1)

Note 1) The charge pump output is put in Hi-Z state.

DITH: Select dithering ON or OFF for a delta-sigma circuit.

D14	Function	Remarks
0	DITH OFF	Low Noise mode
1	DITH ON	Low Spurious mode

It is used to control the turning On or Off for dithering to cancel cyclical noise.

LDCKSEL[1:0] : Set phase error values for lock detect.

D13	D12	Function	Remarks
0	0	1 cycle of the REFIN clock	
0	1	2 cycles of the REFIN clock	
1	0	3 cycles of the REFIN clock	
1	1	Prohibited	

For detailed functional descriptions, see the section "Lock Detect (LD) Signal" in "8. Block Functional Description".

LD: Select analog or digital for the lock detect.

D11	Function	Remarks
0	Digital Lock Detect	
1	Analog Lock Detect	

For detailed functional descriptions, see the section "Lock Detect (LD) Signal" in "8. Block Functional Description".

CPPOLA: Select positive or negative output polarity for Charge Pump 1 and Charge Pump 2.

D10	Function	Remarks
0	Positive	
1	Negative	

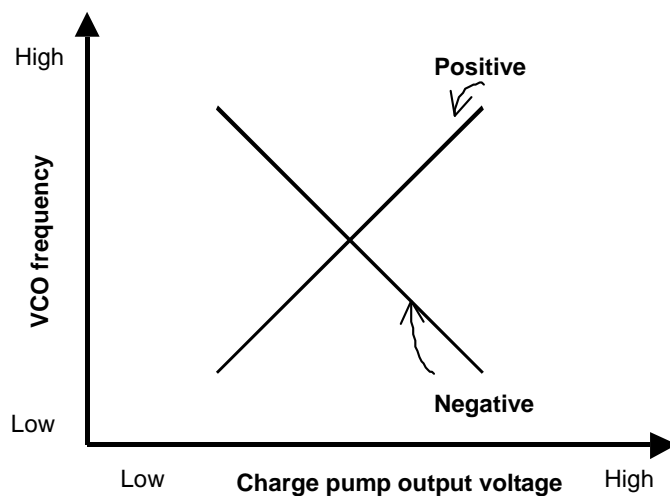


Fig. 11 Charge Pump slope Polarity

PRE[1:0] : Select a dividing ratio for the prescaler.

D9	D8	Function	Remarks
0	0	P=4	
0	1	P=8	
1	0	P=16	
1	1	P=16	

R[7:0]: Set a dividing ratio for the reference clock.

This can be set in the range from 4 (4 divisions) to 255 (255 divisions). 0 to 3 cannot be set.

D7	D6	D5	D4	D3	D2	D1	D0	Function	Remarks
0	0	0	0	0	0	0	0	0	Prohibited
0	0	0	0	0	0	0	1	1	Prohibited
0	0	0	0	0	0	1	0	2	Prohibited
0	0	0	0	0	0	1	1	3	Prohibited
DATA									
1	1	1	1	1	1	0	1	253	
1	1	1	1	1	1	1	0	254	
1	1	1	1	1	1	1	1	255	

< Address 4: Cp_fast >

D19	D18	D17	D16	D[15:13]	D[12:0]	Address
0	0	0	FASTEN	CP2[2:0]	FAST[12:0]	0100

FASTEN: Enable or disables the Fast Lockup mode.

D16	Function	Remarks
0	The switchover settings specified in CP2[2:0] and FAST[12:0] are disabled.	
1	The switchover settings specified in CP2[2:0] and FAST[12:0] are enabled.	

CP2[2:0]: Set the current value for the charge pump for the Fast Lockup mode (Charge Pump 2).

Charge Pump 2 current is determined by the following formula:

$$CP2_min = 5.7 / \text{Resistance connected to [BIAS] pin}$$

$$\text{Charge Pump 2 current} = CP2_min \times ((CP2[2:0]) + 4) \text{ [mA]}$$

D[15:13]	Charge Pump 2 current [mA]		
	22kΩ	27kΩ	33kΩ
000	1.04	0.84	0.69
001	1.30	1.06	0.86
010	1.55	1.27	1.04
011	1.81	1.48	1.21
100	2.07	1.69	1.38
101	2.33	1.90	1.55
110	2.59	2.11	1.73
111	2.85	2.32	1.90

FAST[12:0] : Set the FAST counter value.

A decimal number from 1 to 8191 can be set. This counter value is used to set the time period during which the charge pump for the Fast Lockup mode is ON.

The charge pump for the Fast Lockup mode is turned OFF after the time period calculated by “this count value × the reference clock cycle”. 0 cannot be set.

D12	D11	D10	D9	D8	D7	D6	D5	D4	D3	D2	D1	D0	Function	Remarks
0	0	0	0	0	0	0	0	0	0	0	0	0	0	Prohibited
0	0	0	0	0	0	0	0	0	0	0	0	1	1	
0	0	0	0	0	0	0	0	0	0	0	1	0	2	
DATA														
1	1	1	1	1	1	1	1	1	1	1	0	1	8189	
1	1	1	1	1	1	1	1	1	1	1	1	0	8190	
1	1	1	1	1	1	1	1	1	1	1	1	1	8191	

< Address 5: GPO >

D[19:2]	D1	D0	Address
0	GPO2	GPO1	0101

GPO2: Set the state of [GPO2] pin

This value controls the General-Purpose Output pin GPO2.

The voltage applied to PVDD pin determines the “High” output level.

D1	Function	Remarks
0	“Low” output from the GPO2 pin	
1	“High” output from the GPO2 pin	

GPO1: Set the state of [GPO1] pin

This value controls the General-Purpose Output pin GPO1.

The voltage applied to the PVDD pin determines the “High” output level.

D0	Function	Remarks
0	“Low” output from the GPO1 pin	
1	“High” output from the GPO1 pin	

< Address 6: Offset >

D19	D18	D[17:0]	Address
0	0	OFST[17:0]	0110

OFST[17:0] : Set the adjustable frequency offset in 2’s complementary representation.

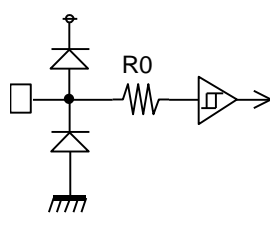
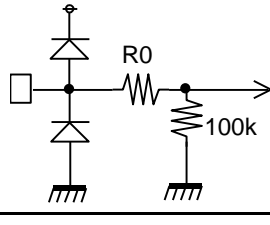
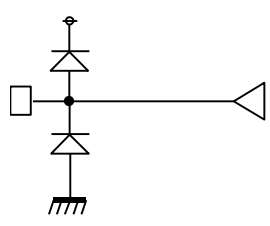
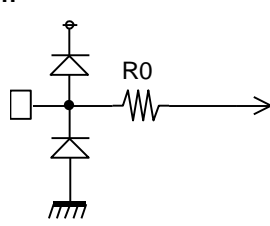
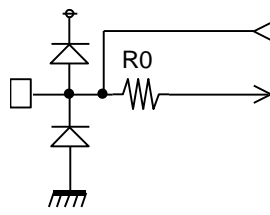
This register designates offset from carrier frequency.

After this register is accessed, {NUM[17:0]} and {INT[14:0]} are recalculated and these recalculated data are used in delta-sigma and N-divider. When this register is not used, this register must be written 00000 (hexadecimal).

OFFSET register must be written at the lower speed than calculated frequency by

“ $1/3.5 \times \text{RF Frequency} / (\text{INT} + 7)$ ”. If the writing speed is faster than this, the setting is invalid.

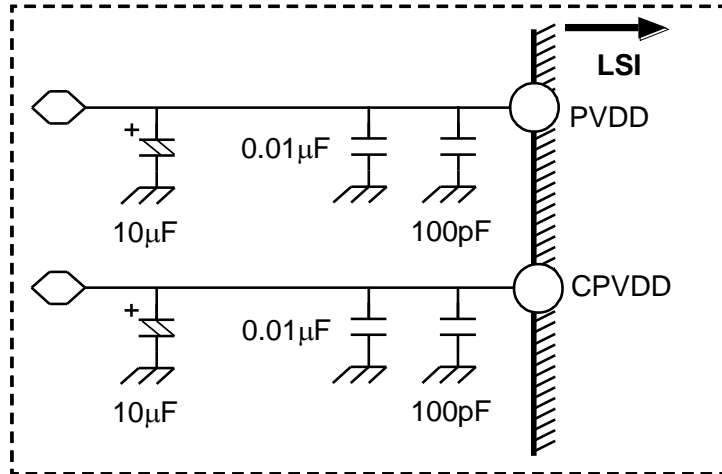
11. IC Interface Schematic

No.	Name	I/O	R0(Ω)	Cur(μ A)	Function
4	LE	I	300		Digital input pins 
5	DATA	I	300		
6	CLK	I	300		
8	PDN2	I	300		
9	PDN1	I	300		
2	TEST3	I	300		Digital input pins Pull-Down 
3	TEST1	I	300		
11	TEST2	I	300		
7	LD	O			Digital output pin 
12	GPO1	O			
13	GPO2	O			
10	REFIN	I	300		Analog input pin 
15	VREF	IO	300		Analog I/O pin 
19	BIAS	IO	300		
22	CPZ	IO	300		

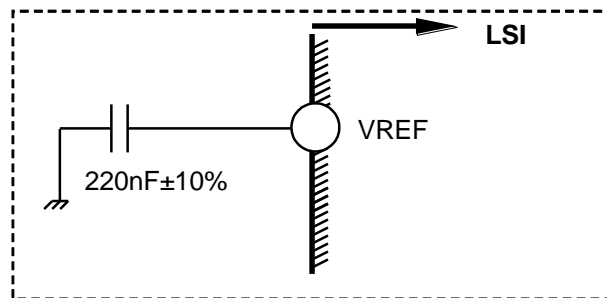
No.	Name	I/O	R0(Ω)	Cur(μA)	Function
23	SWIN	I			<p>Analog input pin</p>
21	CP	O			<p>Analog output pin</p>
16	RFINN	I	40k	20	<p>Analog input pin (RF signal input)</p>
17	RFINP	I	40k	20	

12. Recommended Connection Schematic for Off-Chip Components

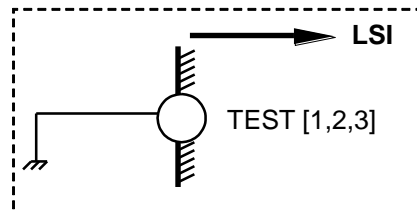
1. PVDD, CPVDD



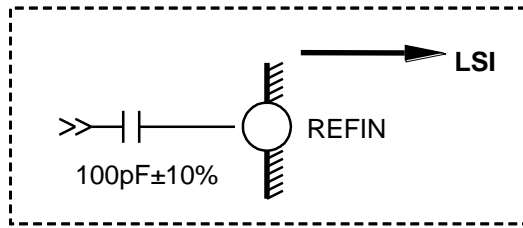
2. VREF



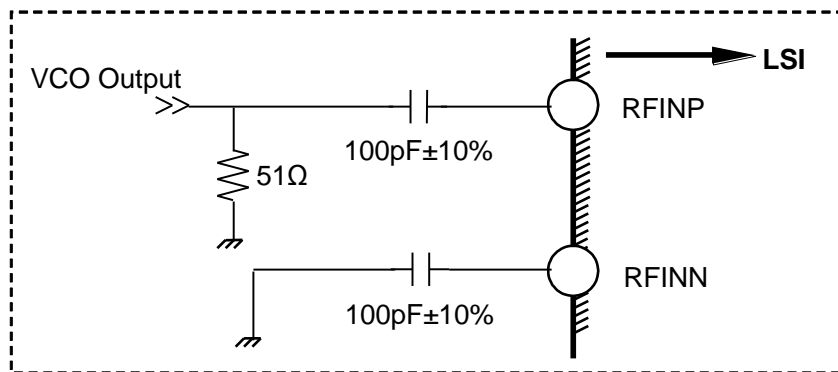
3. TEST [1,2,3]



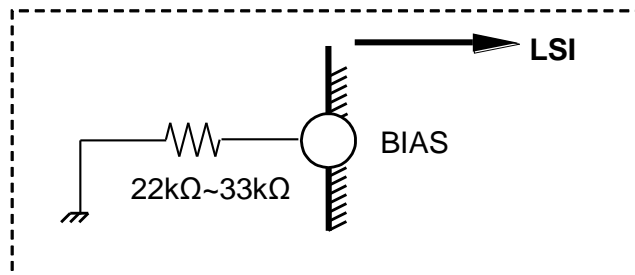
4. REFIN



5. RFINP, RFINN



6. BIAS



13. Power-up Sequence

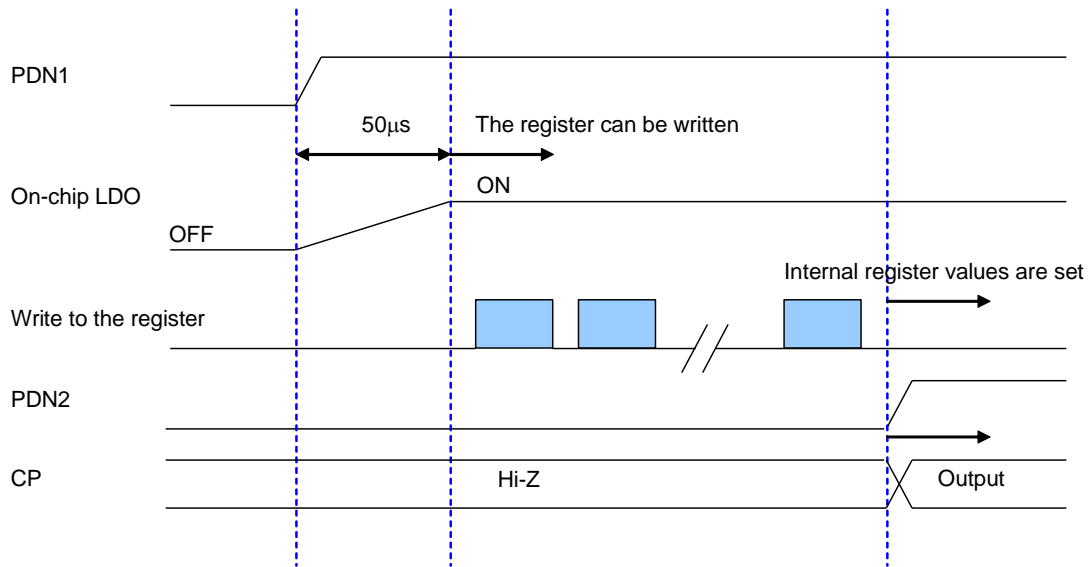


Fig. 12 Recommended Power-up Sequence

- Note 1) The initial register values are not defined. Therefore, even after [PDN1] is set to "High", each bit value remains undefined. In order to set all register values, it is required to write the data in all addresses of the register.
- Note 2) It is prohibited to do power up and [PDN2] release at the same time. It is mandatory to power up first, then set [PDN2] to "High". If they are set simultaneously, initial operation might be unstable.

14. Typical Evaluation Board Schematic

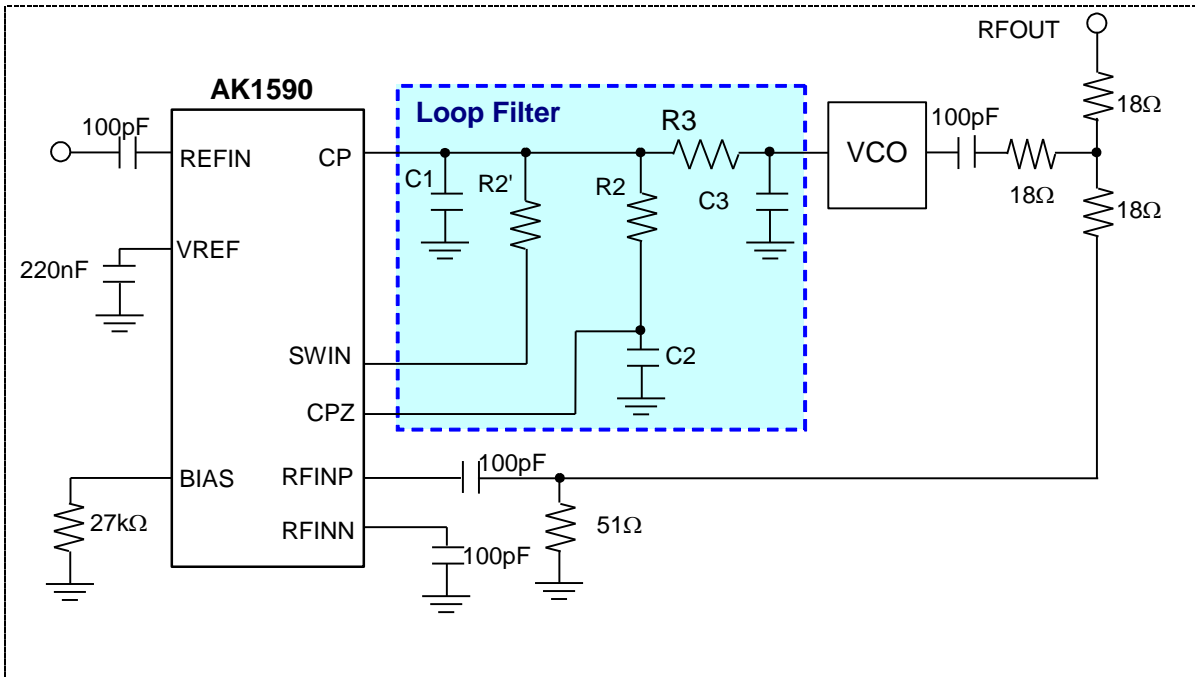


Fig. 13 Typical Evaluation Board Schematic

The input voltage from [CPZ] pin is used in the internal circuit. [CPZ] pin must not be open even when the Fast Lockup feature is unused. For the output destination from [CPZ] pin, see “Fig.5 Loop Filter Schematic”. [SWIN] pin could be open when the Fast Lockup feature is not used.

R2 and R2' are connected in parallel with internal switch in Fast Lockup. These R2 and R2' parallel resistance value is required for calculating loop bandwidth and phase margin in Fast Lockup. The on-resistance value of the internal switch is 150Ω for reference.

It is recommended to connect the exposed pad (the center of the back of the package) to ground, although it will not make any impact on the electrical characteristics even if the pad is open. Moreover, all test pins should be connected to ground.

15. Block Diagram by Power Supply

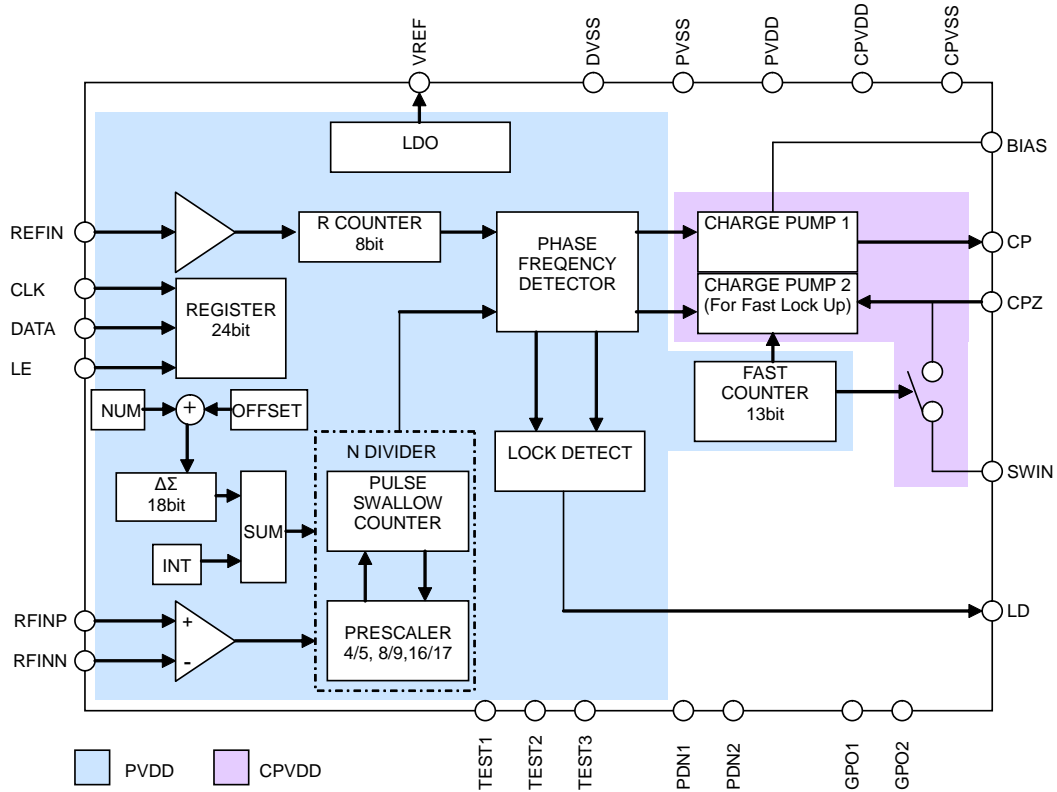


Fig. 14 Block Diagram by Power Supply

16. Outer Dimensions

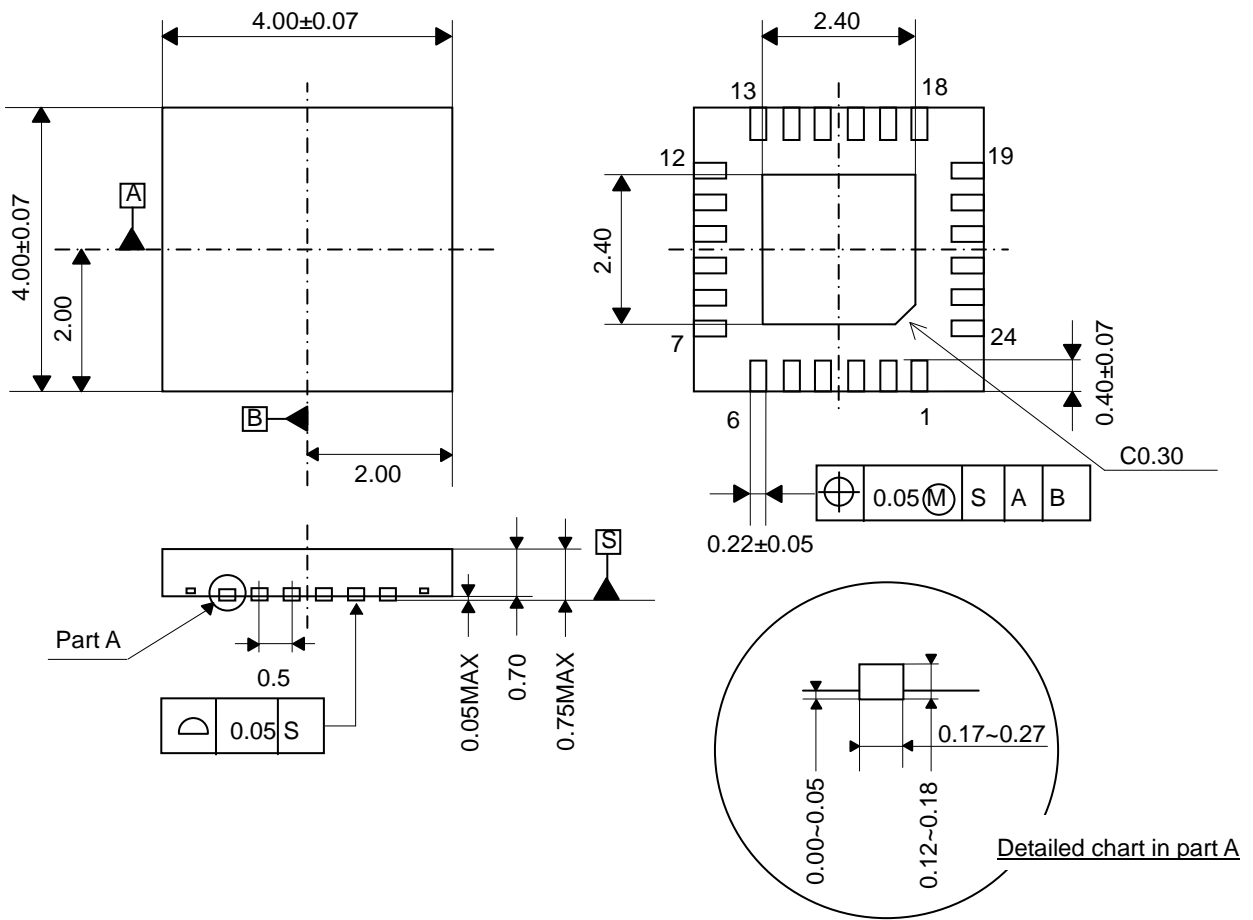
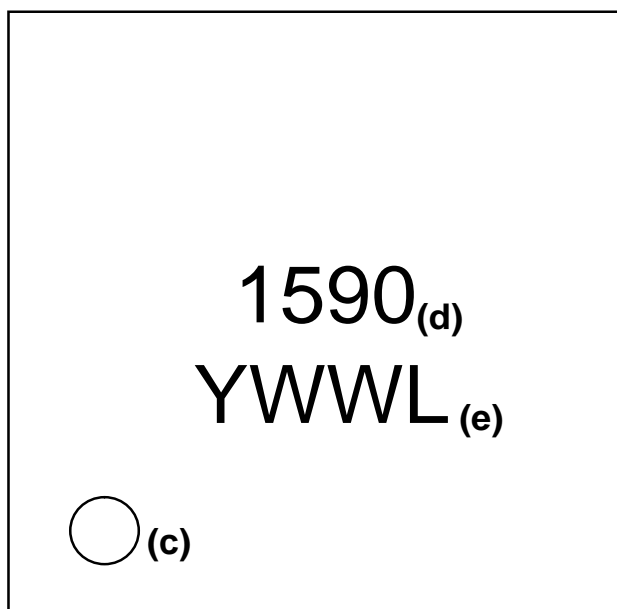


Fig. 15 Outer Dimensions

Note) It is recommended to connect the exposed pad (the center of the back of the package) to ground, although it will not make any impact on the electrical characteristics even if the pad is open.

17. Marking

- (a) Style : QFN
(b) Number of pins : 24
(c) 1 pin marking: : ○
(d) Product number : 1590
(e) Date code : YWWL (4 digits)
Y: Lower 1 digit of calendar year (Year 2012 → 2, 2013 → 3 ...)
WW: Week
L: Lot identification, given to each product lot which is made in a week
→ LOT ID is given in alphabetical order (A, B, C...).

**Fig. 16 Marking**

IMPORTANT NOTICE

0. Asahi Kasei Microdevices Corporation (“AKM”) reserves the right to make changes to the information contained in this document without notice. When you consider any use or application of AKM product stipulated in this document (“Product”), please make inquiries the sales office of AKM or authorized distributors as to current status of the Products.
1. All information included in this document are provided only to illustrate the operation and application examples of AKM Products. AKM neither makes warranties or representations with respect to the accuracy or completeness of the information contained in this document nor grants any license to any intellectual property rights or any other rights of AKM or any third party with respect to the information in this document. You are fully responsible for use of such information contained in this document in your product design or applications. AKM ASSUMES NO LIABILITY FOR ANY LOSSES INCURRED BY YOU OR THIRD PARTIES ARISING FROM THE USE OF SUCH INFORMATION IN YOUR PRODUCT DESIGN OR APPLICATIONS.
2. The Product is neither intended nor warranted for use in equipment or systems that require extraordinarily high levels of quality and/or reliability and/or a malfunction or failure of which may cause loss of human life, bodily injury, serious property damage or serious public impact, including but not limited to, equipment used in nuclear facilities, equipment used in the aerospace industry, medical equipment, equipment used for automobiles, trains, ships and other transportation, traffic signaling equipment, equipment used to control combustions or explosions, safety devices, elevators and escalators, devices related to electric power, and equipment used in finance-related fields. Do not use Product for the above use unless specifically agreed by AKM in writing.
3. Though AKM works continually to improve the Product’s quality and reliability, you are responsible for complying with safety standards and for providing adequate designs and safeguards for your hardware, software and systems which minimize risk and avoid situations in which a malfunction or failure of the Product could cause loss of human life, bodily injury or damage to property, including data loss or corruption.
4. Do not use or otherwise make available the Product or related technology or any information contained in this document for any military purposes, including without limitation, for the design, development, use, stockpiling or manufacturing of nuclear, chemical, or biological weapons or missile technology products (mass destruction weapons). When exporting the Products or related technology or any information contained in this document, you should comply with the applicable export control laws and regulations and follow the procedures required by such laws and regulations. The Products and related technology may not be used for or incorporated into any products or systems whose manufacture, use, or sale is prohibited under any applicable domestic or foreign laws or regulations.
5. Please contact AKM sales representative for details as to environmental matters such as the RoHS compatibility of the Product. Please use the Product in compliance with all applicable laws and regulations that regulate the inclusion or use of controlled substances, including without limitation, the EU RoHS Directive. AKM assumes no liability for damages or losses occurring as a result of noncompliance with applicable laws and regulations.
6. Resale of the Product with provisions different from the statement and/or technical features set forth in this document shall immediately void any warranty granted by AKM for the Product and shall not create or extend in any manner whatsoever, any liability of AKM.
7. This document may not be reproduced or duplicated, in any form, in whole or in part, without prior written consent of AKM.