



MICRF507

470MHz to 510MHz Low-Power FSK Transceiver with +10dBm Power Amplifier

General Description

The MICRF507 is a fully integrated FSK transceiver with +10dBm power amplifier and transmit/receive switch. The device is targeted at automated meter reading (AMR) applications in the China Short Range Device (SRD) frequency band of 470MHz to 510MHz. The device supports data rates up to 20kbps with PLL divider modulation and up to 200kbps with VCO modulation. The receiver achieves a sensitivity of -113dBm at a data rate of 2.4kbps while only consuming 12mA of supply current. The integrated power amplifier (PA) delivers +10dBm of output power while only consuming 21.5mA of supply current. Power down supply current is a low 0.2µA while retaining register information and a low 280µA in standby mode where only the crystal oscillator is enabled.

The receiver of the MICRF507 utilizes a Zero IF (ZIF) I/Q architecture, integrating a low-noise amplifier (LNA) with bypass mode, I/Q quadrature mixers, three-pole Sallen-Key IF channel pre-filters, and six-pole elliptic switched capacitor IF filters, providing excellent selectivity, adjacent channel rejection and blocking performance. FSK demodulation is implemented digitally and a synchronizer, when enabled, recovers the received bit clock. A receive signal strength indicator (RSSI) circuit indicates the received signal level over a 50dB range. An integrated Frequency Error Estimator (FEE) and crystal tuning capability allow fine tuning of the RF frequency.

The transmitter of the MICRF507 consists of an FSK modulator and power amplifier with output power adjustable from +10dBm to -3.5dBm in seven steps. Modulation can be achieved by applying two sets of PLL divider ratios or through direct VCO modulation by varying VCO tank capacitance.

The MICRF507 requires a 2.0V to 2.5V supply voltage, operates over the -40°C to +85°C temperature range, and is available in a 32-pin MLF[®] package.



RadioWire[®]

Features

- -113dBm sensitivity at 2.4kbps encoded bit rate
- +10dBm power amplifier with seven gain steps
- 12mA receive supply current
- 21.5mA transmit supply current at +10dBm
- 0.2µA power down current (registers retain settings)
- 280µA standby current (crystal oscillator enabled)
- Data rates up to 20kbps with PLL divider modulation
- Data rates up to 200kbps with VCO modulation
- Integrated transmit and receive (T/R) switch
- LNA with bypass mode
- Zero IF I/Q receiver architecture
- IF pre-amplifiers with DC-offset removal
- Three-pole Sallen-Key IF channel low-pass pre-filter
- Six-pole elliptic switched capacitor IF low-pass filter
- 50kHz to 350kHz programmable baseband bandwidth
- 59dB blocking at ±1MHz offset
- 53dB adjacent channel rejection at ±500kHz offset
- FSK digital demodulator with clock recovery
- 50dB Received Signal Strength Indicator (RSSI)
- Frequency Error Estimator (FEE)
- Reference crystal tuning capability
- 2.0 to 2.5V supply voltage range
- -40°C to +85°C operating temperature range
- Available in 32-pin MLF[®] package (5.0mm x 5.0mm x 0.85mm)

Applications

- China Short Range Device (SRD) Communications
- Automated Meter Reading (AMR)
- Advanced Metering Infrastructure (AMI)
- Wireless Remote Meter Reading

RadioWire is a registered trademark of Micrel, Inc.
MLF is a registered trademark of Amkor Technology, Inc.

Micrel Inc. • 2180 Fortune Drive • San Jose, CA 95131 • USA • tel +1 (408) 944-0800 • fax + 1 (408) 474-1000 • <http://www.micrel.com>

March 2010

M9999-032210-B

RadioWire® FSK Transceiver Selection Guide	4
Ordering Information	4
Block Diagram	4
Pin Configuration	5
Pin Description	5
Absolute Maximum Ratings⁽¹⁾	7
Operating Ratings⁽²⁾	7
Electrical Characteristics⁽⁴⁾	7
Functional Description	10
Control (3-wire) Interface	10
Reading	13
Control Interface Timing	14
Power-on Reset	14
Clock Generation	15
Crystal Oscillator (XCO)	16
BITSYNC_CLK (Receiver Bit Synchronization Clock)	17
BITRATE_CLK (Transmitter Bit Rate Clock)	17
MODULATOR_CLK (VCO Modulator Clock)	17
Data Interface and Bit Synchronization	17
Sync_en = 0	19
Sync_en = 1	19
Additional Considerations in the Use of Synchronizer (Sync_en = 1)	19
Frequency Synthesizer	20
VCO	22
Charge Pump	22
PLL Filter	22
Lock Detect	23
Receiver	24
Front End	24
Sallen-Key Filters	25
Switched Capacitor Filter	25
RSSI	25
FEE	26
XCOtune Procedure Example	27
Transmitter	28
Power Amplifier	28
Frequency Modulation	29
Divider Modulation	30
VCO Modulation and the Modulator	30
Modulator Filter	32
System Modes and Initialization	33
Start-up and Initialization	33
Modes of Operation	33
Mode Transitions	33
Message Coding and Formatting	34
DC Balanced Line Coding	34
Message Formatting: Preamble	34

Typical Application	35
Bill of Materials	36
Layout Considerations	37
Layer Definition	37
Grounding.....	37
RF Traces.....	37
Supply Routing.....	37
PLL Loop Filter.....	37
Overview of Programming Bits.....	38
Detailed Description of Programming Bits.....	39
Package Information.....	46

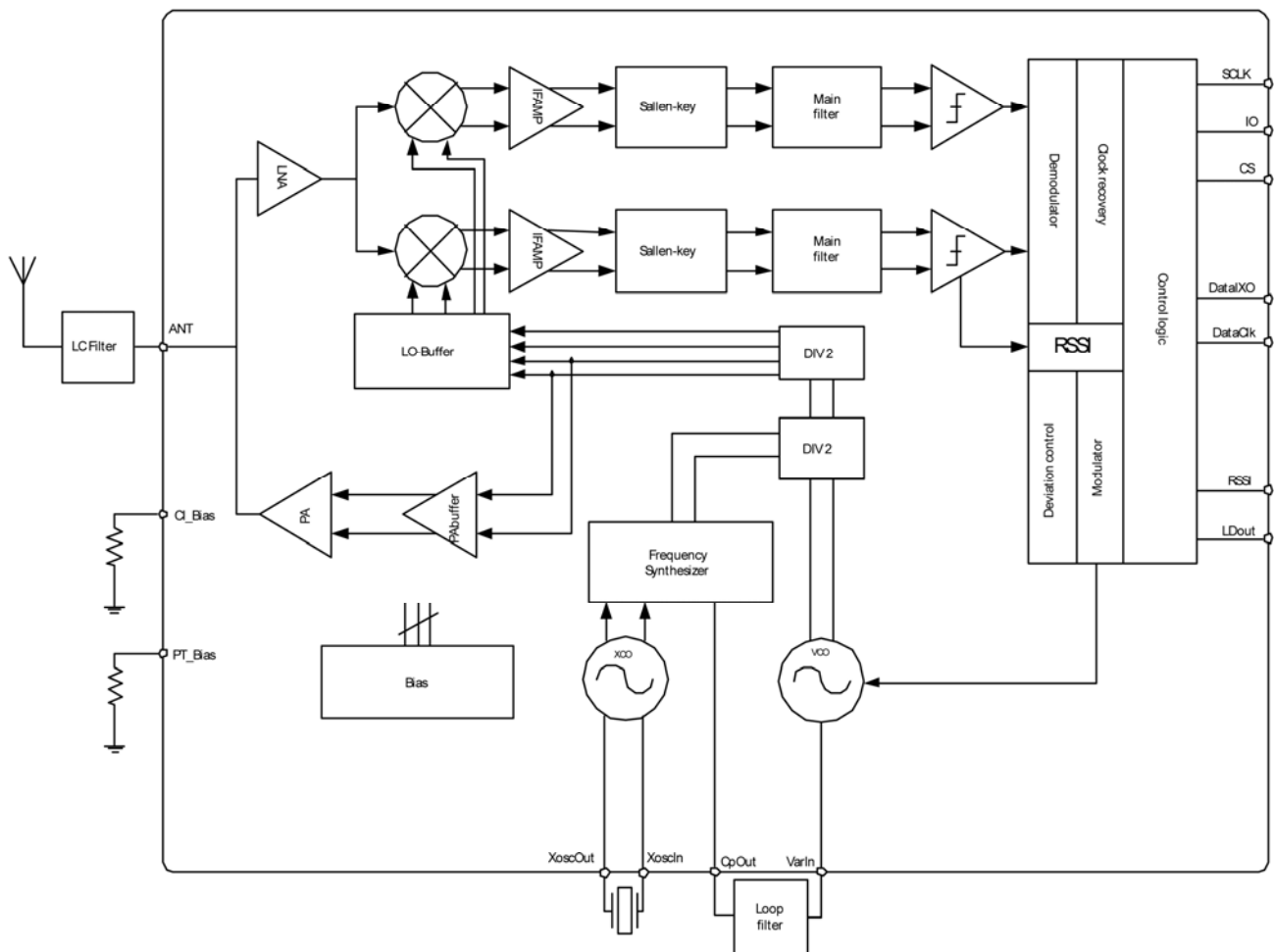
RadioWire® FSK Transceiver Selection Guide

Device	Frequency Range	Maximum Data Rate	Receive Current	Supply Voltage	Transmit Current	Package
MICRF505	850MHz to 950MHz	200kbps	13.5mA	2.0 to 2.5V	28mA	MLF-32
MICRF505L	850MHz to 950MHz	200kbps	13.5mA	2.25 to 5.5V	28mA	MLF-32
MICRF506	410MHz to 450MHz	200kbps	12mA	2.0 to 2.5V	21.5mA	MLF-32
MICRF507	470MHz to 510MHz	200kbps	12mA	2.0 to 2.5V	21.5mA	MLF-32

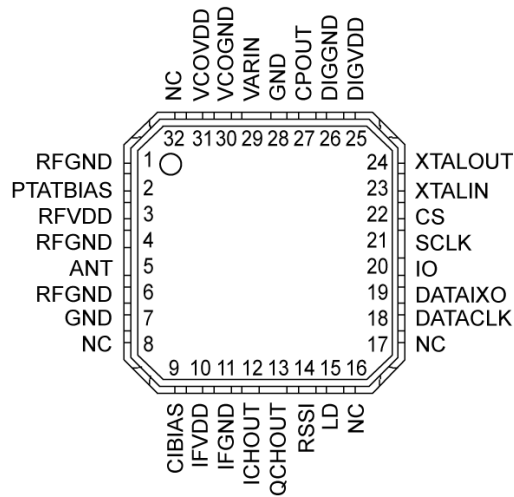
Ordering Information

Part Number	Junction Temperature Range	Package
MICRF507YML TR	-40° to +85°C	Pb-Free 32-Pin MLF®

Block Diagram



Pin Configuration



32-Pin MLF®

Pin Description

Pin Number	Pin Name	Type	Pin Function
1	RFGND		LNA and PA ground.
2	PTATBIAS	O	Connection for bias resistor.
3	RFVDD		LNA and PA power supply.
4	RFGND		LNA and PA ground.
5	ANT	I/O	Antenna Input/Output.
6	RFGND		LNA and PA ground.
7	RFGND		LNA and PA ground.
8, 16, 17, 32	NC		No connect. Leave these pins floating.
9	CIBIAS	O	Connection for bias resistor.
10	IFVDD		IF/mixer power supply.
11	IFGND		IF/mixer ground.
12	ICHOUT	O	Test pin.
13	QCHOUT	O	Test pin.
14	RSSI	O	Received signal strength indicator.
15	LD	O	PLL lock indicator.
18	DATACLK	O	RX/TX data clock output.
19	DATAIXO	I/O	RX/TX data input/output.
20	IO	I/O	3-wire interface data in/output
21	SCLK	I	3-wire interface serial clock.
22	CS	I	3-wire interface chip select.
23	XTALIN	I	Crystal oscillator input.
24	XTALOUT	I/O	Crystal oscillator output or external reference input.
25	DIGVDD		Digital power supply.

Pin Description (continued)

Pin Number	Pin Name	Type	Pin Function
26	DIGGND		Digital ground.
27	CPOUT	O	PLL charge pump output.
28	GND		Substrate ground.
29	VARIN	I	VCO varactor tune voltage input.
30	VCOGND		VCO ground.
31	VCOVDD		VCO power supply.
	Exposed Paddle		Ground.

Absolute Maximum Ratings⁽¹⁾

Supply Voltage (V_{DD}).....	+2.7V
Voltage on any pin (GND = 0V).....	-0.3V to +2.7V
Lead Temperature (soldering, 4sec.).....	300°C
Storage Temperature (T_s).....	-55°C to +150°C
ESD Rating ⁽³⁾	2kV

Operating Ratings⁽²⁾

Supply voltage (V_{IN}).....	+2.0V to +2.5V
RF Frequencies.....	470MHz to 510MHz
Encoded Bit Rate.....	200kbps
Ambient Temperature (T_A).....	-40°C to +85°C
Package Thermal Resistance	
32-Pin MLF [®] (θ_{JA}).....	41.7°C/W

Electrical Characteristics⁽⁴⁾

$f_{RF} = 490\text{MHz}$, $f_{XTAL} = 16\text{MHz}$, MICRF507 Development Board, Modulation type = closed-loop VCO modulation, Sync_en bit = 1, $V_{DD} = 2.5\text{V}$; $T_A = 25^\circ\text{C}$, the term "bit rate" refers to encoded bit rate throughout the EC table (see Figure 24), **bold** values indicate $-40^\circ\text{C} \leq T_A \leq +85^\circ\text{C}$, unless noted.

Symbol	Parameter	Condition	Min	Typ	Max	Units
f_{RF}	RF Frequency Operating Range		470		510	MHz
V_{DD}	Power Supply			2.5		V
	Power Down Current			0.2	3	μA
	Standby Current			280		μA
VCO and PLL Section						
	Reference Frequency		4		40	MHz
	PLL Lock Time, 3kHz Bandwidth	490MHz to 490.5MHz		0.7		ms
		485MHz to 495MHz		1.3		ms
	PLL Lock Time, 20kHz Bandwidth	490MHz to 490.5MHz		0.3		ms
	Switch Time, 3kHz Loop Bandwidth	Rx – Tx		1.0		ms
		Tx – Rx		1.0		
		Standby to Rx		1.0		
		Standby to Tx		1.0		
	Crystal Oscillator Start-Up Time	With MICRF507 development board BOM		1.0		ms
	Charge Pump Current	$V_{CP\text{OUT}} = 1.1\text{V}$, CP_HI = 0	100	125	170	μA
		$V_{CP\text{OUT}} = 1.1\text{V}$, CP_HI = 1	420	500	680	μA
Transmit Section						
P_{OUT}	Output Power	$R_{LOAD} = 50\Omega$, PA[2:0] = 111		10		dBm
		$R_{LOAD} = 50\Omega$, PA[2:0] = 001		-3.5		dBm
	Output Power Variation Relative to $V_{DD} = 2.5\text{V}$, $T_A = 25^\circ\text{C}$	Over temperature range		± 1		dB
		$V_{DD} = 2.0\text{V}$		-2		dB
	Transmit Mode Current Consumption	$R_{LOAD} = 50\Omega$, PA[2:0] = 111		21.5		mA
		$R_{LOAD} = 50\Omega$, PA[2:0] = 001		10.5		mA
		$R_{LOAD} = 50\Omega$, PA[2:0] = 000		8.0		mA
	Single-Sided Frequency Deviation ⁽⁵⁾		10		250	kHz
	Maximum Bit Rate	VCO modulation		200		kbps
		Divider modulation		20		kbps

Electrical Characteristics⁽⁴⁾ (Continued)

Symbol	Parameter	Condition	Min	Typ	Max	Units
	Occupied Bandwidth ⁽⁵⁾	38.4kbps, $\beta = 2$, 20dBc		140		kHz
		125kbps, $\beta = 2$, 20dBc		550		kHz
		200kbps, $\beta = 2$, 20dBc			800	
	2 nd Harmonic ⁽⁵⁾			-43	-36	dBm
	3 rd Harmonic ⁽⁵⁾			-59	-36	dBm
	Spurious Emission in Restricted Bands < 1GHz ⁽⁵⁾				-54	dBm
	Spurious Emission < 1GHz ⁽⁵⁾				-36	dBm
	Spurious Emission > 1GHz ⁽⁵⁾				-30	dBm
Receive Section						
	Rx Current Consumption	All Functions on		12		mA
		LNA bypassed		10.3		
		Switch cap filter bypassed, LNA on		9.8		
		Both switch cap filter and LNA bypassed		8		
	Rx Current Consumption Variation	Over temperature		2		mA
	Receiver Sensitivity (BER 10 ⁻³)	2.4kbps, $\beta = 16$		-113		dBm
		4.8kbps, $\beta = 16$		-111		
		19.2kbps, $\beta = 4$		-107		
		38.4kbps, $\beta = 4$		-104		
		76.8kbps, $\beta = 2$		-101		
		125kbps, $\beta = 2$		-100		
		200kbps, $\beta = 2$		-97		
	Receiver Maximum Input Power	125kbps, 125kHz deviation, LNA on		+7		dBm
		125kbps, 125kHz deviation, LNA bypassed		+12		
		20kbps, 40kHz deviation		+2		
	Receiver Sensitivity Tolerance	Over temperature		2		dB
		Over power supply range			1	
	Receiver Baseband Bandwidth		50		350	kHz
	Co-Channel Rejection, BER = 10 ⁻³	19.2kbps, $\beta = 6$, PF_FC[1:0] = 01, f _{CUT} = 133kHz		-8		dB
	Adjacent Channel Rejection, both interferer and desired signal are modulated at 19.2 kbps encoded bit rate, $\beta = 6$, PF_FC[1:0] = 01, f _{CUT} = 133kHz, BER = 10 ⁻³	±500kHz spacing		53		dB
		±1MHz spacing			58	
	CW Blocking above desired signal, desired signal is modulated at 19.2kbps, $\beta = 6$, 3dB above sensitivity, PF_FC[1:0] = 01, f _{CUT} = 133kHz, BER = 10 ⁻³	±1MHz		59		dB
		±2MHz		60		dB
		±5MHz		47		dB
		±10MHz		60		dB

Electrical Characteristics⁽⁴⁾ (Continued)

Symbol	Parameter	Condition	Min	Typ	Max	Units
P _{1dB}	1dB Compression			-34		dBm
	Input IP3	2 tones with 1MHz separation		-25		dBm
	LO Leakage			-90		dBm
	Spurious Emission ⁽⁵⁾	<1GHz			-57	dBm
		>1GHz			-47	dBm
	Input Impedance with no matching components			33+7j		Ω
	RSSI Dynamic Range			50		dB
	RSSI Output Range	P _{IN} = -110dBm		0.9		V
		P _{IN} = -60dBm		2		V
Digital Inputs/Outputs						
V _{IH}	Logic Input High		0.7*V_{DD}		V_{DD}	V
V _{IL}	Logic Input Low		0		0.3*V_{DD}	V
	Clock/Data Frequency ⁽⁵⁾				10	MHz
	Clock/Data Duty Cycle ⁽⁵⁾		45		55	%

Notes:

1. Exceeding the absolute maximum rating may damage the device.
2. The device is not guaranteed to function outside its operating rating.
3. Devices are ESD sensitive. Handling precautions recommended. Human body model; 1.5k in series with 100pF.
4. Specification for packaged product only.
5. Guaranteed by design.

Functional Description

Control (3-wire) Interface

General

The MICRF507 operation is controlled through a set of 8-bit registers. The chip has a total of 23 readable registers (addresses 0-22) of which 22 (addresses 0-21) are writeable. Through this register set, the user can set the MICRF507 in transmit or receive mode, program the carrier frequency, and select a bit rate, among other options.

Table 1 identifies all register bits. Table 26 gives more detail and Table 27 shows the register fields grouped by category, with don't-care and mandatory bits omitted. Some bits shown as '0' or '1' are mandatory bits and must always be written with the values given. Other bits marked as "-" are "don't care" bits.

Registers are accessed serially through the control interface consisting of the CS, IO, and SCLK pins.

Positive-going pulses at SCLK serve to clock bits in and out of IO at a rate determined by the user. When IO is an input, falling edges of SCLK strobe each bit in; when IO is an output, each bit appears at IO after the rising edge of SCLK.

The IO is an input for entry of starting addresses, the R/W bit, and bytes being written to registers, and an output for bytes read from registers.

CS enables transactions at the control interface, active high. Transitions at the other two pins are ignored when CS is low. This allows the MICRF507 to share SCLK and IO with other devices as long as they have separate CS lines.

To start a transaction (with SCLK and CS initially low), bring CS high. To end a transaction (with SCLK low), bring CS low.

To write a bit into IO (when IO is an input); first bring SCLK high and drive IO with the bit level to be input (in either order, or simultaneously). Then bring SCLK low.

To read a bit out of IO (when IO is an output); first bring SCLK high and read the level on IO. Then bring SCLK low (in either order, or simultaneously).

The first byte to be clocked in during a transaction is made of seven bits (MSB first) of register address followed by the R/W bit, 0 for write, 1 for read. Then, one or more bytes to be written to or read from registers are clocked in or out respectively, always MSB first.

Adr	Data Field							
	D7	D6	D5	D4	D3	D2	D1	D0
0000000	LNA_by	PA2	PA1	PA0	Sync_en	Mode1	Mode0	'1'
0000001	Modulation1	Modulation0	'0'	'0'	RSSI_en	LD_en	PF_FC1	PF_FC0
0000010	CP_HI	SC_by	'0'	PA_By	OUTS3	OUTS2	OUTS1	OUTS0
0000011	'1'	'1'	'0'	VCO_IB2	VCO_IB1	VCO_IB0	VCO_freq1	VCO_freq0
0000100	Mod_F2	Mod_F1	Mod_F0	Mod_I4	Mod_I3	Mod_I2	Mod_I1	Mod_I0
0000101	-	-	'0'	'1'	Mod_A3	Mod_A2	Mod_A1	Mod_A0
0000110	-	Mod_clkS2	Mod_clkS1	Mod_clkS0	BitSync_clkS2	BitSync_clkS1	BitSync_clkS0	BitRate_clkS2
0000111	BitRate_clkS1	BitRate_clkS0	RefClk_K5	RefClk_K4	RefClk_K3	RefClk_K2	RefClk_K1	RefClk_K0
0001000	'1'	'1'	'0'	ScClk4	ScClk3	ScClk2	ScClk1	ScClk0
0001001	'0'	'0'	'1'	XCOtune4	XCOtune3	XCOtune2	XCOtune1	XCOtune0
0001010	-	-	A0_5	A0_4	A0_3	A0_2	A0_1	A0_0
0001011	-	-	-	-	N0_11	N0_10	N0_9	N0_8
0001100	N0_7	N0_6	N0_5	N0_4	N0_3	N0_2	N0_1	N0_0
0001101	-	-	-	-	M0_11	M0_10	M0_9	M0_8
0001110	M0_7	M0_6	M0_5	M0_4	M0_3	M0_2	M0_1	M0_0
0001111	-	-	A1_5	A1_4	A1_3	A1_2	A1_1	A1_0
0010000	-	-	-	-	N1_11	N1_10	N1_9	N1_8
0010001	N1_7	N1_6	N1_5	N1_4	N1_3	N1_2	N1_1	N1_0
0010010	-	-	-	-	M1_11	M1_10	M1_9	M1_8
0010011	M1_7	M1_6	M1_5	M1_4	M1_3	M1_2	M1_1	M1_0
0010100	'1'	'0'	'1'	'0'	'0'	'0'	'1'	'1'
0010101	-	-	-	-	FEEC_3	FEEC_2	FEEC_1	FEEC_0
0010110	FEE_7	FEE_6	FEE_5	FEE_4	FEE_3	FEE_2	FEE_1	FEE_0

Names of programming bits. Unused bits ("-") and mandatory bits ("1" or "0") are shown. Changes to mandatory bits may cause malfunction.

Table 1. Control Registers

Writing

This method is used to write either to one register (see Figure 1), or any number of registers with consecutive addresses up to all 22 writeable registers (see Figure 2) in a single transaction.

Procedure:

- Bring CS active (high). IO is initially an input (and remains so for the duration of the transaction).
- Clock in a byte consisting of the address bits and the R/W bit. The first seven bits are the address (starting with MSB) of the register, or the first register if more than one, to be written. The eighth bit is the R/W bit, which is 0 as this is a write operation.

- Clock in one or more bytes, MSB of each byte first.
- Bring CS low to end the transaction.

Bits passing through IO are clocked serially into pre-buffers, then transferred in parallel to the actual registers upon de-assertion of CS.

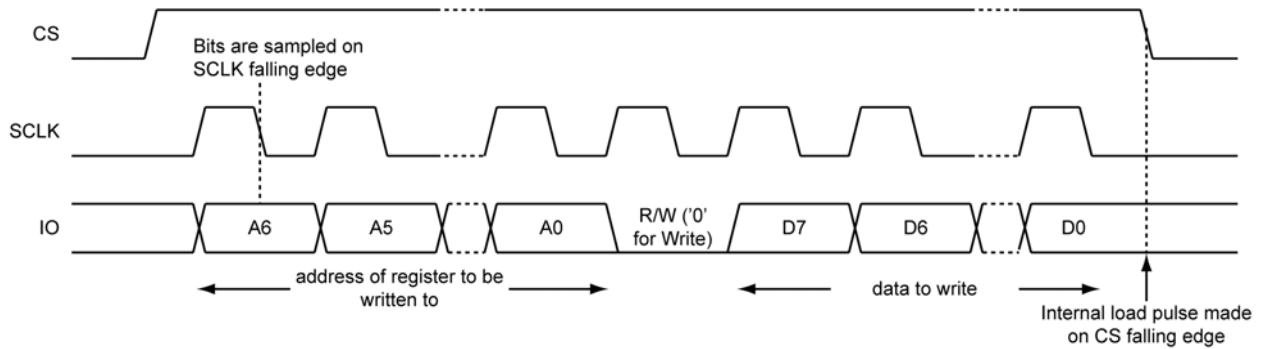


Figure 1. Writing a Byte into a Register

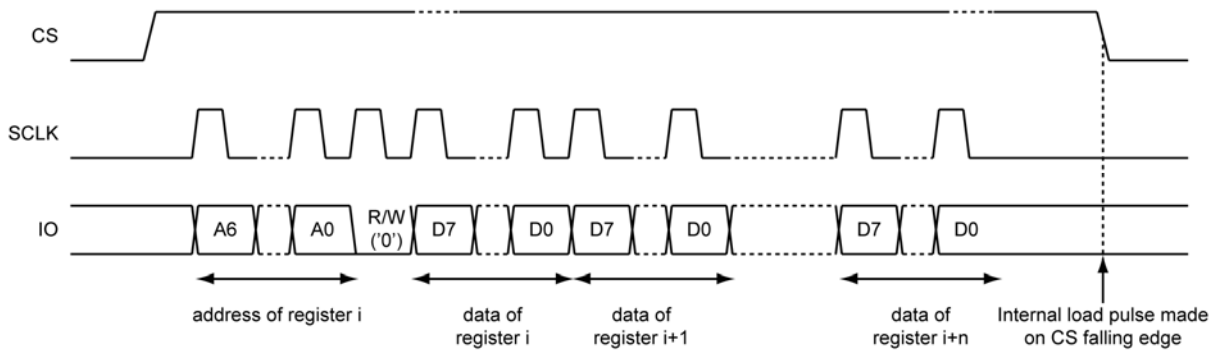


Figure 2. Writing Bytes into n+1 Registers at Consecutive Addresses Starting with Address i

Reading

Any number of registers with consecutive addresses, from one up to all 23, can be read.

Procedure:

- Bring CS active (high). IO is initially an input.
- Clock in a byte consisting of the address bits and the R/W bit. The first seven bits are the address (starting with MSB) of the register, or the first register if more than one, to be read. The eighth bit is the R/W bit, which is 1 as this is a read operation. After the R/W bit is clocked in (falling edge of SCLK), the next rising edge on SCLK will enable IO as an output for the duration of the transaction.

- Clock out 8 bits per register (one or more) to be read through IO, MSB first. Rising edges of SCLK bring each bit to IO. The user can then conveniently sample the bit at the next falling edge of SCLK.
- Bring CS low to end the transaction. IO reverts to being an input.

Figure 3 shows how to read one register. To read more registers at consecutive addresses, continue pulsing SCLK eight times for each register to be read before de-asserting CS.

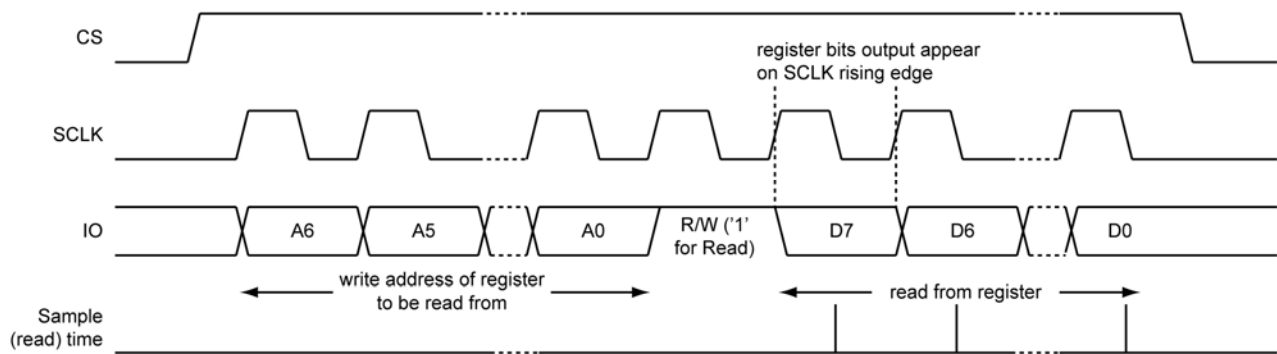


Figure 3. Reading a Byte from a Register

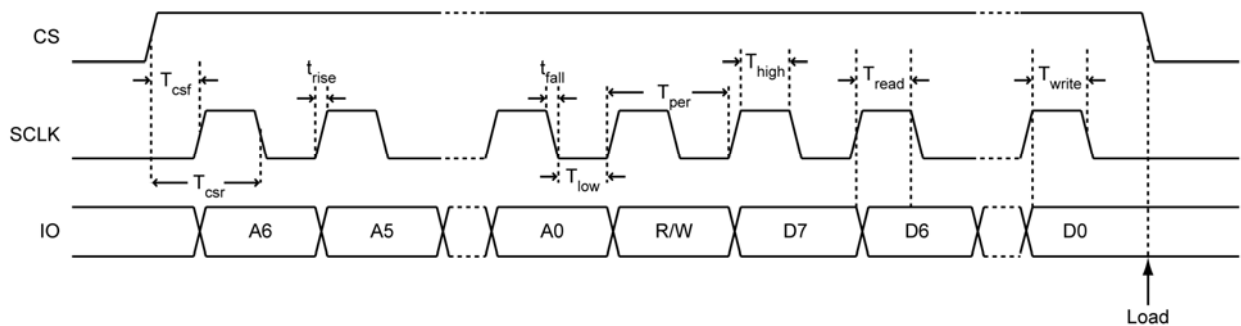


Figure 4. Definitions of Control Interface Timing Parameters

Control Interface Timing

Figure 4 and Table 2 give the timing specifications for the control interface.

When in Receive or Transmit mode (but not Power-down or Standby mode), an additional timing constraint applies: elapsed time between falling edges of CS must be a minimum of $2/f_c$, where f_c is the synthesizer's comparison frequency (also called phase detector frequency). $f_c = f_{XCO}/M$,

$$f_c = \frac{f_{XCO}}{M}$$

$$\text{min time} = \frac{2M}{f_{XCO}}$$

where $M = M0$ when receiving or transmitting with VCO modulation, and $M = \max\{M0, M1\}$ when transmitting with divider modulation.

Symbol	Parameter	Values			Units
		Min.	Typ.	Max.	
T_{high}	Min. high time of SCLK	20			ns
T_{low}	Min. low time of SCLK	20			ns
t_{fall}	Fall time of SCLK			1	μ s
t_{rise}	Rise time of SCLK			1	μ s
T_{csr}	Time from rising edge of CS to falling edge of SCLK	50			ns
T_{csf}	Min. delay from rising edge of CS to rising edge of SCLK	25			ns
T_{write}	Min. delay from valid IO to falling edge of SCLK during a write operation	20			ns
T_{read}	Min. delay from rising edge of SCLK to valid IO during a read operation (assuming load capacitance of IO is 25pF)	75			ns
t_{POR}	Power on Reset time		4.6	9	ms

Table 1. Control Interface Timing

Power-on Reset

The power-on reset time (t_{POR}), given in Table 2, is defined as the time from application of supply voltage to completion of power on reset.

To determine when the chip has completed its power-on without waiting for the worst-case time (maximum t_{POR}), do the following:

- Write hex 03 (binary 0000011) to Register 0. This puts the chip in Standby mode.
- Read Register 0. If the value read is binary 0000011, then exit; power-on is complete. If not, go to previous step and repeat.

Because registers are initially in an unknown state after power-on (exception: Mode[1:0] initializes to 00), always enter a complete set of register values as the first transaction, and always enter only nonzero values for N and M.

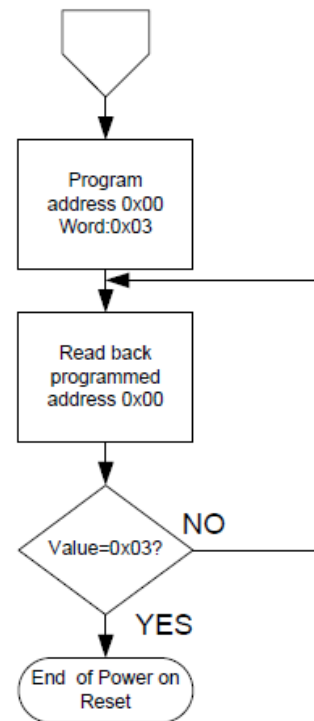


Figure 5. Power-On Programming Flowchart

Clock Generation

The MICRF507's crystal oscillator:

- Serves as the reference for the synthesizer that is the carrier and local oscillator source.
- Is divided down to clock the switched-capacitor IF filter.
- Is divided down to generate three other clocks: bit rate clock, bit synchronization clock, and modulator clock

Figure 6 shows the oscillator with its frequency-shifting capacitor bank (controlled by the register field XCOtune) and the frequency dividers that derive the latter three clocks from its output. This division occurs in two stages. First, the XCO output is divided by the 6-bit field Refclk_K, which has allowable values between 1 and 63. Then, for each of the three clocks, another field (BitSync_clkS, BitRate_ClkS, and ModClkS, respectively) selects the number of further divisions by 2. Complete relationships of field values and resultant frequencies are given below for each clock.

Field Name	Number of bits	Location of bits	Description
XCOtune	5	Reg9[4:0]	Crystal oscillator trimming.
RefClk_K	6	Reg7[5:0]	Reference clock divider.
BitRate_clkS	3	Reg6[0], Reg7[7:6]	Transmitter Bit rate clock setting. See Figure 9 and "Data Interface and Bit Synchronization" section for more details.
Mod_clkS	3	Reg6[6:4]	VCO Modulator clock setting, set the modulator clock to either 8x or 16x the bit rate clock.
BitSync_clkS	3	Reg6[3:1]	Receiver Bit Synchronization clock setting, always set bit synchronization clock to 16x the bit rate clock. See Figure 9 and "Data Interface and Bit Synchronization" section for more details.

Table 3. Register Bit Fields for Clock Generation

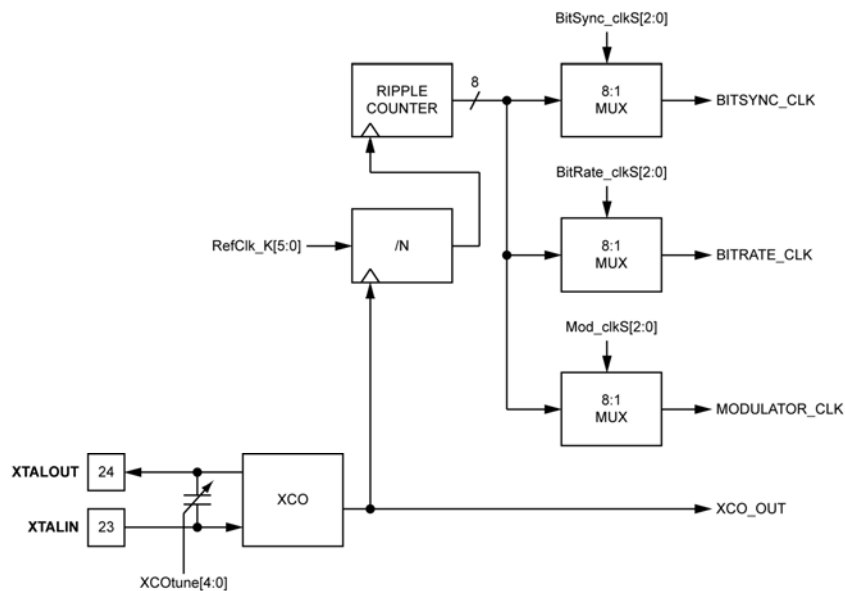


Figure 6. MICRF507 Clock Sources

Crystal Oscillator (XCO)

The crystal oscillator's role as the synthesizer reference demands very good phase and frequency stability. As shown in Figure 7, the external components required for the oscillator are a crystal, connected between pins 23 and 24, and loading capacitors.

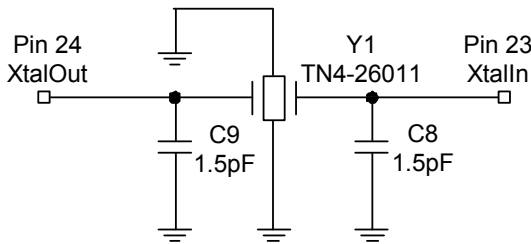


Figure 7. Crystal Oscillator Circuit

The load capacitance C_L seen between the crystal terminals is:

$$C_L = \frac{1}{\frac{1}{\frac{1}{C_8} + \frac{1}{C_9}} + C_{XCOTune} + C_{pin}}$$

Where $C_{XCOTune}$ is the capacitance of the internal adjustable capacitor bank, and C_{pin} is defined as the internal chip capacitance when XCOtune bits are all zeros, plus PCB stray capacitance across pins 23 and 24. The value of C_{pin} is about 6pF. The loading capacitor values required depend on the total C_L specified for the crystal for oscillation at the desired frequency.

It is possible to tune the crystal oscillator internally by giving the 5-bit register field XCOtune a non-zero value, which causes internal capacitors to be switched across the crystal. As this capacitance increases, frequency decreases. When XCOtune is set to its maximum value of 31, approximately 4.5pF additional capacitance is connected across the crystal pins.

The XCO tuning can be used to cancel crystal resonant frequency error, both initial and with temperature. It can be used in combination with the Frequency Error Estimator (FEE). See "FEE" section.

The crystal used is a TN4-26011 from Toyocom. Specification:

- Package TSX-10A,
- Nominal frequency 16.000000MHz
- Frequency tolerance ± 10 ppm
- Frequency stability ± 9 ppm, load capacitance 9pF
- Pulling sensitivity 15ppm/pF

To achieve 9pF load capacitance required to center TN4-26011 at 16MHz, set the external capacitors to 1.5pF and XCOtune=16_{dec}. Figure 8 shows the tuning range for two different capacitor values, 1.5pF and zero (external capacitors omitted). External capacitor values will strongly affect the tuning range. Using 1.5pF with the above crystal gives a tuning range that is approximately symmetrical about the center frequency.

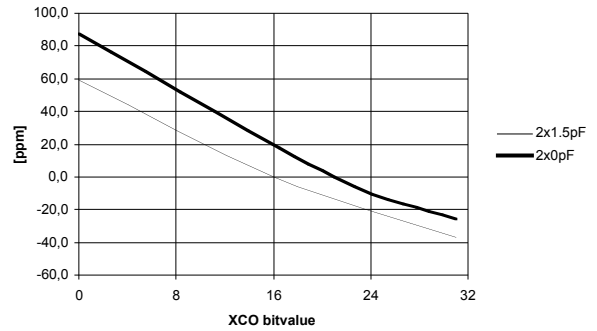


Figure 8. XCO Tuning with the XCOtune Field

The start-up time of the crystal oscillator, given in Table 4, is about a millisecond and increases with capacitance. When the MICRF507's main mode is switched from Power down mode to Transmit mode via Standby mode, or to Receive mode via Standby mode, only the XCO is energized at first. Current consumption during this prestart period is approximately 280 μ A (the same as for Standby mode). After the XCO amplitude is sufficient to trigger the M-counter and produce two pulses at its output, the remaining circuits on the chip are powered on.

XCOtune	Start-up Time (μ s)
0	590
1	590
2	700
4	700
8	810
16	1140
31	2050

Table 4. Typical Crystal Oscillator Start-up Time with C8 = C9 = 1.5pF

An external reference clock, when used instead of a crystal, should be applied to pin 24 (XTALOUT) with pin 23 (XTALIN) not connected. To maintain proper DC biasing within the chip, use AC-coupling between the external reference and the XTALOUT-pin.

BITSYNC_CLK (Receiver Bit Synchronization Clock)

The frequency of the bit synchronization clock $f_{\text{BITSYNC_CLK}}$, is a function of the crystal oscillator frequency f_{XCO} and the values of the register fields Refclk_K and BitSync_clkS:

$$f_{\text{BITSYNC_CLK}} = \frac{f_{\text{XCO}}}{\text{Refclk_K} \times 2^{(7-\text{BitSync_clkS})}}$$

The bit synchronizer uses a clock that needs to be programmed to 16 times the actual bit rate. As an example, a bit rate of 20kbps needs a bit synchronizer clock with frequency of 320kHz. Refer to Figure 9 and “Data Interface and Bit Synchronization” section for more details.

BITRATE_CLK (Transmitter Bit Rate Clock)

The frequency $f_{\text{BITRATE_CLK}}$ of BITRATE_CLK is a function of the crystal oscillator frequency f_{XCO} and the values of the register fields Refclk_K and BitRate_clkS:

$$f_{\text{BITRATE_CLK}} = \frac{f_{\text{XCO}}}{\text{Refclk_K} \times 2^{(7-\text{BitRate_clkS})}}$$

In transmit mode, when Sync_en = 1, BITRATE_CLK appears on the DATACLK pin. Its frequency is equal to the bit rate. Example; a bit rate of 20 kbit/sec requires an $f_{\text{BITRATE_CLK}}$ of 20kHz. Refer to Figure 9 and the “Data Interface and Bit Synchronization” subsection for more details.

MODULATOR_CLK (VCO Modulator Clock)

The frequency $f_{\text{MOD_CLK}}$ of MODULATOR_CLK is a function of the crystal oscillator frequency f_{XCO} and the values of the register fields Refclk_K and Mod_clkS:

$$f_{\text{MOD_CLK}} = \frac{f_{\text{XCO}}}{\text{Refclk_K} \times 2^{(7-\text{Mod_clkS})}}$$

The modulator clock is used if VCO modulation method is selected. Set the modulator clock frequency to either 8x or 16x the bit rate. See “VCO Modulation and the Modulator” subsection for more information.

BitRate_clkS[2:0] BitSync_clkS[2:0] Mod_clkS[2:0]	Corresponding Clock Frequency (f_{XCO} is crystal frequency)
000	$f_{\text{XCO}}/(128 \times \text{RefClk_K})$
001	$f_{\text{XCO}}/(64 \times \text{RefClk_K})$
010	$f_{\text{XCO}}/(32 \times \text{RefClk_K})$
011	$f_{\text{XCO}}/(16 \times \text{RefClk_K})$
100	$f_{\text{XCO}}/(8 \times \text{RefClk_K})$
101	$f_{\text{XCO}}/(4 \times \text{RefClk_K})$
110	$f_{\text{XCO}}/(2 \times \text{RefClk_K})$ (*)
111	$f_{\text{XCO}}/\text{RefClk_K}$ (*)

(*) Can not be used as *BitRate_clk*.

Table 5. Generation of Bitrate_clk, BitSync_clk and Mod_clk

Data Interface and Bit Synchronization

Transmitted and received data bits are coupled to the MICRF507 serially through the Data Interface. This Data Interface consists of the DATAIXO and DATACLK pins. This is a separate interface from the Control Interface (CS, IO, and SCLK), for which see Control (3-wire) Interface.

Figure 9 shows the data interface circuitry aboard the MICRF507. DATAIXO is an input during transmission, whereas during reception a driver is enabled and it becomes an output. DATACLK is always an output.

A rule that applies when using VCO modulation is: after commanding the MICRF507 to enter transmit mode, the microcontroller shall tri-state the driver connected to DATAIXO to leave that pin floating until the microcontroller begins sending data. See “Mode Transitions” section for more details.

The data interface can be programmed for synchronous and non-synchronous operation according to the setting of the Sync_en bit; see Table 7.

Field Name	Number of bits	Location of bits	Description	Reference
Sync_en	1	Reg0[3]	Synchronizer Mode bit	Table 7

Table 6. Register Bit Fields for Data Interface and Bit Synchronization

Sync_en	State	Comments
0	RX: Bit synchronization off	Transparent reception of data
0	TX: DataClk pin off	Transparent transmission of data
1	RX: Bit synchronization on	Bit clock is generated by transceiver
1	TX: DataClk pin on	Bit clock is generated by transceiver

Table 7. Synchronizer Mode Bit

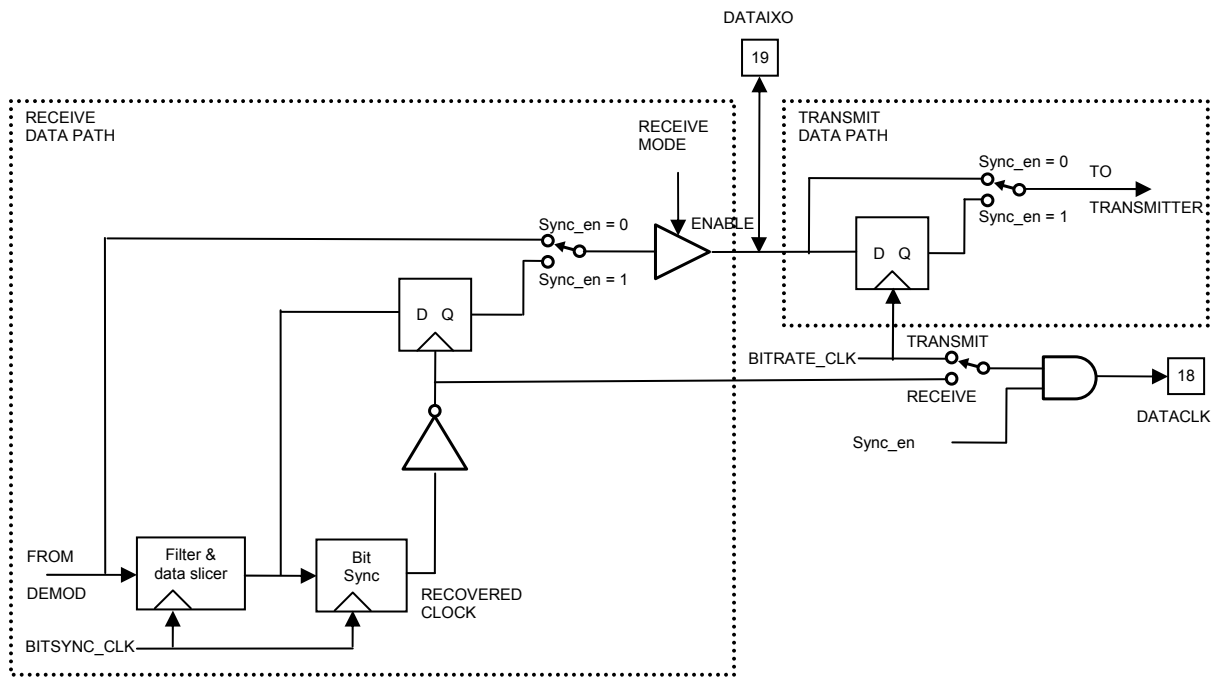


Figure 9. Data Interface and Synchronization

Mode	Sync_en	DATACLK		DATAIXO	
		Direction	Signal	Direction	Signal/Function
Transmit	0	Output	0	Input	Modulates carrier directly (asynchronously)
	1	Output	BitRate clock	Input	Sampled at rising edge of BitRate clock; latched output modulates carrier
Receive	0	Output	0	Output	Raw output from demodulator
	1	Output	Clock recovered by bit synchronizer	Output	Filtered and latched demodulator output; transitions occur at rising edge of DATACLK

Table 8. Synchronizer Mode and Data Interface

In sync mode (Sync_en bit set to 1), the transmitted bit stream is clocked with the precision of the MICRF507’s crystal oscillator, which relaxes timing accuracy requirements on the data source. During reception, the synchronizer ensures that transitions of DATAIXO occur only at rising edges of DATACLK, without edge jitter or internal glitches. Receiver sensitivity values given in the Electrical Characteristics table are measured with Sync_en = 1; with Sync_en = 0, as much as 3-6 dB of sensitivity could be lost.

Sync_en = 0

When Sync_en = 0, the input signal at DATAIXO modulates the transmitter directly during transmission and the output signal from DATAIXO is the raw demodulator output. DATACLK remains fixed at a logic low level during both transmission and reception.

Sync_en = 1

During transmission when Sync_en = 1 the data bit stream entering DATAIXO is buffered with a flip-flop strobed at the rising edge of BITRATE_CLK, and the output of the flip-flop modulates the transmitter. BITRATE_CLK is brought out at the DATACLK output. Figure 10 shows the relationship of DATACLK and DATAIXO transitions.

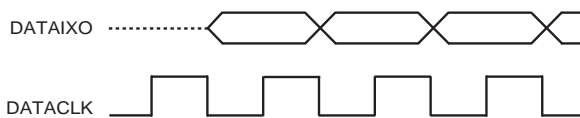


Figure 10. Data Interface in Transmit Mode

During reception, the bit synchronizer recovers the received signal’s clock. This recovered clock strobes a flip-flop that samples in mid-bit-period the demodulated and filtered bit stream. The DATACLK output brings out the

recovered clock. DATAIXO (an output during reception) brings out the synchronized data stream, which has its transitions at rising edges of DATACLK. See Figure 11.

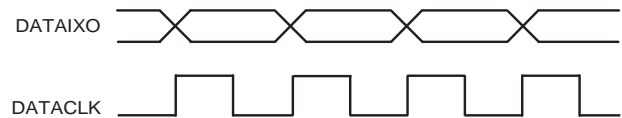


Figure 11. Data Interface in Receive Mode

By being in control of bit timing, the MICRF507 is effectively the “master.” For maximum timing margin, the microcontroller, as the “slave,” can present or sample (during transmit and receive, respectively) each new bit at the DATAIXO pin at falling edges of DATACLK.

Additional Considerations in the Use of Synchronizer (Sync_en = 1)

Two clock signals, BITRATE_CLK and BITSYNC_CLK, must be properly programmed when using the synchronizer. BITRATE_CLK, used in transmission, must be set to a frequency equal to the bit rate. BITSYNC_CLK, used in reception, must have a frequency 16 times the bit rate. These frequencies are controlled by the crystal oscillator frequency and the settings of register fields, as described in the “Clock Generation” section. Bit clocking of the incoming signal must agree with the receiver’s local clocking within ±2.5% (easily met with 100 PPM or better crystals). For example, if f_{BITSYNC_CLK} is 16x19.231kbps, the incoming bit rate can be between 0.975x19.231kbps to 1.025x19.231kbps.

All incoming messages must start with a 0101... preamble so that the synchronizer can acquire the incoming clock. A 24-bit preamble is typically used; a minimum of 22 bits is required.

Frequency Synthesizer

The MICRF507 frequency synthesizer is an integer-N phase-locked loop consisting of:

- a reference source, made of an M-divider clocked by the crystal oscillator
- a voltage controlled oscillator (VCO)
- a programmable frequency divider made of an N-divider, an A-divider, and a dual modulus prescaler
- a phase/frequency detector

The loop filter is external for flexibility and can be a simple passive circuit.

The phase/frequency detector compares the reference frequency (from the M-divider) with the VCO output fed through the programmable frequency divider. The charge pump output of the phase/frequency detector,

after filtering, controls the VCO, closing the loop and forcing the error between the reference frequency and the divided VCO frequency to zero.

The block diagram, Figure 12, shows the basic elements and arrangement of a PLL-based frequency synthesizer. The MICRF507 has a dual modulus prescaler for increased frequency resolution. In a dual modulus prescaler the main divider is split into two parts, the main part N and an additional divider A, where $A < N$. Both dividers are clocked from the output of the dual-modulus prescaler, but only the output of the N divider is fed into the phase detector. The prescaler will first divide by 16. Both N and A count down until A reaches zero, at which point the prescaler is switched to a division ratio $16+1$. At this point, the divider N has completed A counts. Counting continues until N reaches zero, which is an additional N-A counts. At this point, the cycle repeats.

Field Name	Number of bits	Location of bits	Description
M0	12	Reg13[3:0], Reg14[7:0]	M0 counter
A0	6	Reg10[5:0]	A0 counter
N0	12	Reg11[3:0], Reg12[7:0]	N0 counter
M1	12	Reg18[3:0], Reg19[7:0]	M1 counter
A1	6	Reg15[5:0]	A1 counter
N1	12	Reg16[3:0], Reg17[7:0]	N1 counter
CP_HI	1	Reg2[7]	High charge pump current (1= 500 μ A, 0 = 125 μ A)
VCO_Freq	2	Reg3[1:0]	Frequency setting of VCO (see Table 11)
VCO_IB	3	Reg3[4:2]	VCO bias current setting (see Table 11)
LD_en	1	Reg1[2]	Lock detect function on/off

Table 9. Register Bit Fields for Frequency Synthesizer

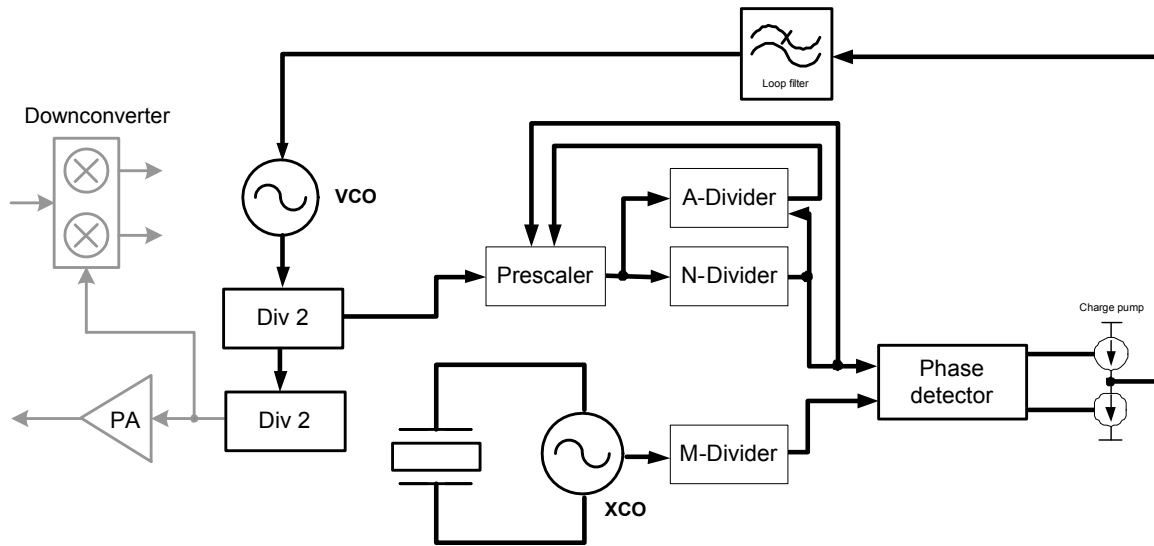


Figure 12. PLL Block Diagram

A6...A0	D7	D6	D5	D4	D3	D2	D1	D0
0001010	-	-	A0_5	A0_4	A0_3	A0_2	A0_1	A0_0
0001011	-	-	-	-	N0_11	N0_10	N0_9	N0_8
0001100	N0_7	N0_6	N0_5	N0_4	N0_3	N0_2	N0_1	N0_0
0001101	-	-	-	-	M0_11	M0_10	M0_9	M0_8
0001110	M0_7	M0_6	M0_5	M0_4	M0_3	M0_2	M0_1	M0_0
0001111	-	-	A1_5	A1_4	A1_3	A1_2	A1_1	A1_0
0010000	-	-	-	-	N1_11	N1_10	N1_9	N1_8
0010001	N1_7	N1_6	N1_5	N1_4	N1_3	N1_2	N1_1	N1_0
0010010	-	-	-	-	M1_11	M1_10	M1_9	M1_8
0010011	M1_7	M1_6	M1_5	M1_4	M1_3	M1_2	M1_1	M1_0

Table 10. Register Bit Fields for PLL

N, M, and A are numbers of length 12, 12 and 6 bits, respectively. The synthesizer's output frequency can be calculated from the following equation:

$$f_{PD} = \frac{f_{XCO}}{M} = \frac{f_{VCO}}{(16 \times N + A) \times 2} = \frac{f_{RF} \times 2}{(16 \times N + A)}$$

M ≠ 0

$$1 \leq A \leq 16$$

$$f_{RF} = f_{XCO} \frac{16 \times N + A}{2M}$$

where

- f_{PD}: Phase detector comparison frequency
- f_{XCO}: Crystal oscillator frequency
- f_{VCO}: Voltage controlled oscillator frequency
- f_{RF}: RF carrier frequency

The MICRF507 has two sets of register fields controlling the synthesizer's frequency multiplication ratio; A0/N0/M0 and A1/N1/M1. During transmission using divider modulation (see "Divider Modulation" section), bit values of '0' and '1' respectively select the 0 and 1 register field set. During reception and during transmission using VCO modulation, only the 0 set is used.

VCO

The VCO has no external components.

The three-bit field VCO_IB controls VCO bias current to optimize phase noise. The two bit field VCO_freq controls a capacitor bank which determines the VCO frequency range. These five bits are set according to the RF frequency as follows:

RF Freq	VCO_IB2	VCO_IB1	VCO_IB0	VCO_freq1	VCO_freq0
470-482MHz	1	0	1	0	1
482-497MHz	1	0	0	1	0
497-510MHz	0	1	1	1	1

Table 11. VCO Bit Setting

The tuning range, the RF frequency versus VCO tune voltage (varactor input, pin 29), depends on the VCO frequency setting as shown in as shown in Figure 13. When the tuning voltage is in the range from 0.9V to 1.4V, the VCO gain (as seen by the PLL) is at its maximum, approximately 64 to 70MHz/V. Note that the RF frequency is half of the PLL frequency. It is recommended that the VCO tune voltage stays in this range.

The input capacitance at the varactor pin must be taken into consideration when designing the PLL loop filter. This is most critical when designing a loop filter with high bandwidth, which gives relatively small component values. The input capacitance is approximately 6pF.

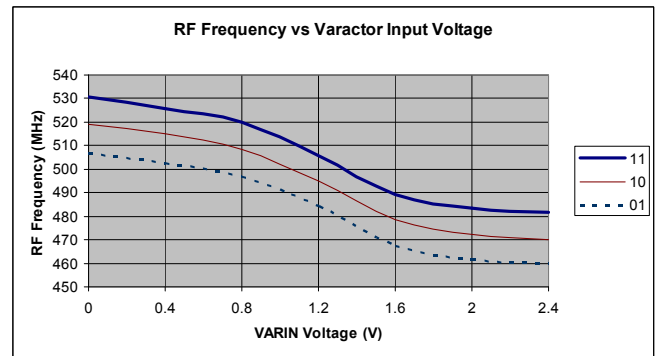


Figure 13. RF Frequency vs. Varactor Voltage and VCO_Freq bits (V_{DD} = 2.5V)

Charge Pump

The charge pump current can be set to either 125µA or 500µA by CP_HI ('1' → 500µA). This will affect the loop gain and, consequently, filter component values. For applications using high phase detector frequency and high PLL bandwidth, use 500µA charge pump current.

PLL Filter

The design of the PLL filter strongly affects the performance of the frequency synthesizer. Key parameters in PLL filter design are loop bandwidth, the modulation method (VCO modulation or divider modulation) and the bit rate. Filter design also affect the switching time (important when frequency hopping) and phase noise.

Divider modulation requires the PLL to lock on a new carrier frequency for every new data bit. As a rule of thumb, the PLL loop bandwidth should be at least twice as high as the bit rate. In such cases it is recommended to use a third order filter to suppress the phase detector frequency.

For VCO modulation, the PLL loop bandwidth should be less than 1/10 of the bit rate. If the loop bandwidth is high relative to the bit rate, the PLL will keep the VCO at a fixed frequency, preventing it from being modulated.

The recommended third-order loop filter (made with external components) is shown in Figure 14. When R2=0 and C3 is omitted, this reduces to a second-order loop filter.

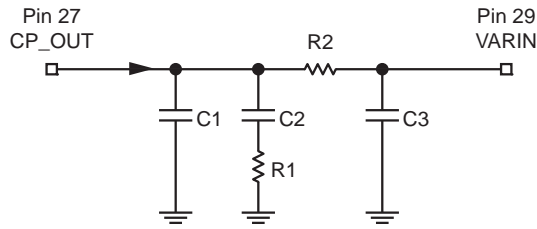


Figure 14. Second and Third Order Loop Filter

Table 12 shows three different loop filter designs, the first two for VCO modulation and the last one for modulation using the internal dividers. The component values are calculated with RF frequency = 490MHz, VCO gain = 67MHz/V as seen by the PLL, and desired phase margin = 56°. Other settings are shown in the table. The VARIN pin capacitance (pin 29) of 6pF can be neglected for the two filters with lowest bandwidth (which have R2=0 and relatively large values of C1). For other loop bandwidth and phase detector values, use the loop filter calculation tool in RF Testbench software available on Micrel’s website.

Lock Detect

A lock detector can be enabled by setting LD_en = 1. When pin LD is high, it indicates that the PLL is in lock.

After a control word is loaded LD will (typically) go low, then high again when the synthesizer has locked. LD also goes low initially when the PA (power amplifier) is turning on.

After the transceiver has been put into Receive or Transmit mode, or after the power amplifier has been turned on, a low-to-high transition at LD can serve as an indicator that the synthesizer frequency has stabilized.

	Encoded Bit Rate (kbps)	PLL BW (kHz)	Charge Pump (µA)	Phase Detector Freq. (kHz)	C1	C2	R1	R2	C3
VCO	>8	0.8	125	100	10nF	100nF	6.2kΩ	0	NC
VCO	>32	3.2	125	100	680pF	6.8nF	22kΩ	0	NC
Divider	<6.5	13	500	500	390pF	8.2nF	5kΩ	68kΩ	18pF

Table 12. Loop Filter Component Values

Receiver

Field Name	Number of bits	Location of bits	Description	Reference
By_LNA	1	Reg0[7]	LNA bypass on/off	
PF_FC	2	Reg1[1:0]	Pre-filter corner frequency	Table 14
SC_by	1	Reg2[6]	Bypass of switched capacitor filter on/off	
ScClk	5	Reg8[4:0]	Switched Cap clock divider	
RSSI_en	1	Reg1[3]	RSSI function on/off	
FEEC	4	Reg21[3:0]	FEE control bits	Table 15
FEE	8	Reg22[7:0]	FEE value (read only)	

Table 13. Register Bit Fields for Receiver

The receiver is a zero intermediate frequency (ZIF) type employing low-power, fully integrated low-pass filters.

A low noise amplifier (LNA) drives a quadrature mixer pair. The mixer outputs feed two identical signal channels. Each channel's signal path has a pre-amplifier, a third order Sallen-Key RC low-pass pre-filter, a six-pole switched-capacitor filter (which determines actual selectivity), and finally a limiter.

The limiter outputs then enter a demodulator which detects the relative phase of the baseband I and Q signals. If the I channel signal lags the Q channel, the FSK tone frequency lies above the LO frequency (data '1'). If the I channel leads the Q channel, then the FSK tone lies below the LO frequency (data '0'). The output of the demodulator is available on the DATAIXO pin; in either raw form or latched with the recovered clock according to the setting of Sync_en bit. An RSSI (receive signal strength indicator) circuit indicates the received signal level.

Front End

The MICRF507's low-noise amplifier boosts the incoming signal prior to frequency conversion in order to prevent mixer noise from degrading overall front-end noise performance. The LNA is a two-stage amplifier and has a nominal gain of approximately 23dB at 490MHz. The front end has a gain of about 31dB to34dB. The gain varies by 1-1.5dB over a 2.0V to 2.5V variation in power supply.

The LNA can be bypassed by setting bit LNA_by to '1'. This can be useful for very strong input signal levels. The front-end gain with the LNA bypassed is about 12dB. The mixers have about 10dB of gain at 490MHz. With appropriate setting of the OUTS field (register 2, bits D3 to D0), the differential outputs of the mixers can be made

available at pins lchOut and QchOut. The output impedance of each mixer is about 8kΩ.

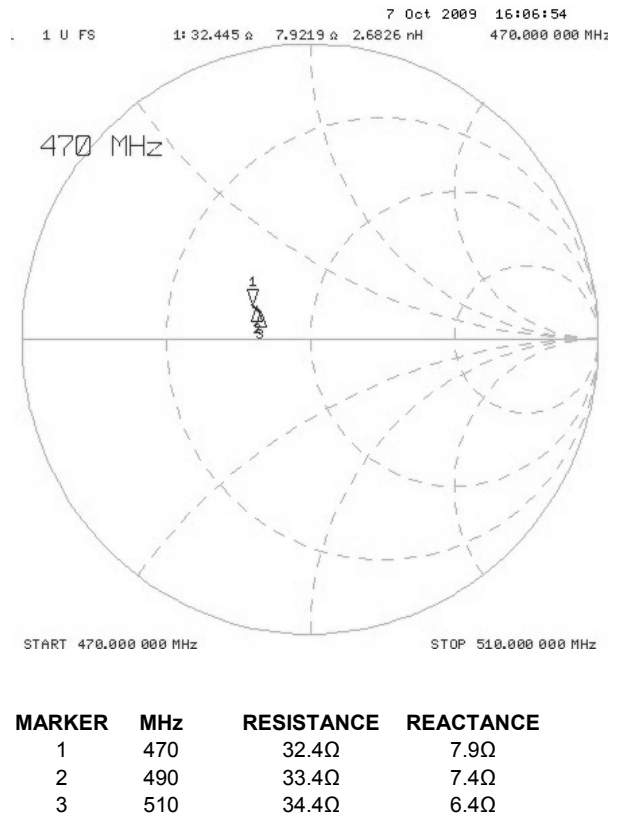


Figure 15. LNA Input Impedance

The front end's input impedance, with no matching network, is close to 50Ω as shown in Figure 15. This gives an input reflection coefficient of about -13dB. Although the receiver does not require a matching network to optimize the gain, a matching network is recommended for harmonic suppression during transmission and for improved selectivity in reception.

Sallen-Key Filters

Each IF channel includes a pre-amplifier and a pre-filter. The preamplifier has a gain of 22dB. The IF amplifier also removes DC offset. Gain varies by less than 0.5dB over a 2.0V to 2.5V variation in power supply. The pre-filter is implemented as a three-pole Sallen-Key low-pass filter. It protects the switched-capacitor filter that follows it from strong adjacent channel signals and also serves as an anti-aliasing filter. It is programmable to four different cut-off frequencies as shown in Table 14.

PF_FC1	PF_FC0	Cutoff (3dB filter corner)
0	0	100kHz
0	1	150kHz
1	0	230kHz
1	1	340kHz

Table 14. Pre-Filter Bit Field

Switched Capacitor Filter

The main IF channel filter is a switched-capacitor implementation of a six-pole elliptic low pass filter. This meets selectivity and dynamic range requirements with minimum total capacitance. The cut-off frequency of the switched-capacitor filter is adjustable by changing the clock frequency.

A 6-bit frequency divider, programmed by the ScClk[5:0] field, is clocked by the crystal oscillator. Its output, which is 20 times the filter's cutoff frequency, is then divided by 4 to generate the correct non-overlapping clock phases needed by the filter. The cut-off frequency of the filter is given by:

$$f_{CUT} = \frac{f_{XCO}}{40 \cdot ScClk}$$

- f_{CUT}: Filter cutoff frequency
- f_{XCO}: Crystal oscillator frequency
- ScClk: Switched capacitor filter clock, bits ScClk[4:0] (bit 0 has a mandatory value of '0').

For instance, for a crystal frequency of 16MHz and if the 6 bit divider divides the input frequency by 4, the cut-off frequency of the SC filter is 16MHz/(40 x 4) = 100kHz. A first-order RC low-pass filter removes clock frequency components from the signal at the switched-capacitor filter output.

The pre-filter and switched-capacitor filters in cascade must pass the full IF bandwidth of the received signal. In a zero-IF receiver such as the MICRF507 this bandwidth is as follows:

$$f_{BW} = f_{OFFSET} + f_{DEV} + \frac{r_b}{2}$$

where

- f_{BW}: Needed receiver bandwidth; f_{CUT} above should not be smaller than f_{BW} [Hz]
- f_{OFFSET}: Total frequency offset between receiver and transmitter [Hz]
- f_{DEV}: Single-sided frequency deviation [Hz]
- r_b: The bit rate in bits/sec

RSSI

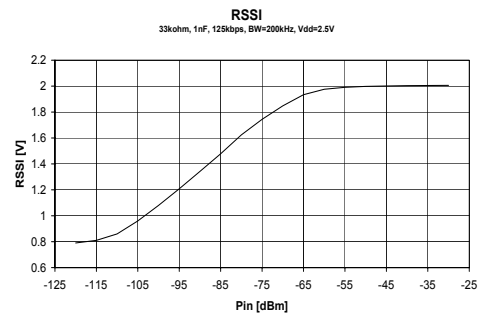


Figure 16. RSSI Voltage

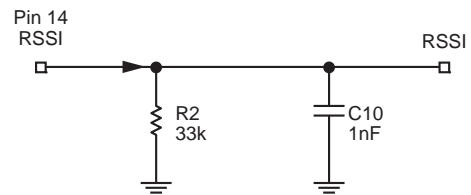


Figure 17. RSSI Network

Figure 16 shows a typical plot of the RSSI voltage as a function of input power. The RSSI termination network is shown in Figure 17. The RSSI has a dynamic range of about 50dB from about -110dBm to -60dBm input power.

When an RF signal is received, the RSSI output increases and can serve as a signal presence indicator. It could be used to wake up external circuitry that conserves battery life while in a sleep mode. Note that RSSI only functions in Receive mode.

Another use for RSSI is to determine that transmit power can be reduced in a system. If the RSSI detects a strong signal, the transmitter could be alerted to reduce its transmit power and so reduce current consumption.

FEE

The Frequency Error Estimator (FEE) counts pulses from inside the demodulator to measure the frequency offset between it's receive frequency and the transmitter's frequency. The maximum offset that FEE can correctly report a frequency difference is about ±20ppm. The output of the FEE can be used to tune the XCO frequency, both for production calibration and to compensate for crystal temperature drift and aging.

The FEE is enabled when FEEC[1:0] = 11, and is off when FEEC[1:0] = 00 (do not use other values). It has two counters. One counter determines the measurement period by generating a trigger every time it has counted up the number of bit periods selected by the setting of FEEC[3:2] as given in Table 15. A second counter accumulates the net tally of UP and DN pulses from the demodulator. For each incoming '1' bit, UP carries an average number of pulses that is twice the modulation index (β), and likewise for each incoming '0' bit and DN. The trigger transfers the contents of the second counter to the FEE register and clears it, after which it begins accumulating again.

FEEC_1	FEEC_0	FEE Mode
0	0	Off
0	1	Do not use
1	0	Do not use
1	1	Counting UP and DN pulses. UP increments the counter, DN decrements it.
FEEC_3	FEEC_2	No. of bits used for the measurement
0	0	8
0	1	16
1	0	Do not use
1	1	Do not use

Table 15. FEEC (Frequency Error Estimator Control) Bits

The result of the measurement, read from the FEE register at address 22 (16 hex, 0010110 binary), is actually an eight-bit two's complement signed number, which can have values from -128 to 127. Reading FEE gives the most recently transferred value. The raw FEE value, treated as an unsigned number ranging from 0 to 255, can be converted into a signed integer as follows:

$$\begin{aligned} \text{If } FEE < 128 \text{ then } \{FEE_{SIGNED} = FEE\} \\ \text{Else } \{FEE_{SIGNED} = (FEE - 256)\}, \end{aligned}$$

For a straightforward measurement of frequency offset, the incoming signal has to have an equal number of ones and zeros, such as a 1010... preamble. The frequency offset can then be calculated:

$$f_{\text{OFFSET}} = \frac{r_b}{4P} FEE_{\text{SIGNED}}$$

where FEE is the value read from the FEE register (treated as a signed number), P is the number of data bits over which the count is taken, and r_b is the bit rate. When f_{OFFSET} is zero, the transmitter and receiver are perfectly aligned. A positive f_{OFFSET} means that the received signal has a higher frequency than the carrier frequency to which the receiver is tuned. To compensate for this, the receiver's XCO frequency should be increased by reducing XCO_tune bits as detailed in the "Crystal Oscillator (XCO)" section.

Counting a larger number of symbols (higher P) improves the accuracy of the measurement. Beware, however, of overflow, which can cause the FEE value to jump from +127 to -128 after only one excessive count.

If the frequency offset is too large for the chosen P, then P must be reduced. P = 8 or P = 16 is safest.

XCOtune Procedure Example

A procedure such as the algorithm given below can be called during production (storing the calibrated XCO_tune value), at regular intervals, or implemented in the communication protocol when the frequency has changed. The MICRF507 measures the frequency offset between the demodulated signal and the LO, and a micro-controller programs the XCO_tune bits to tune the XCO so the LO frequency is equal to received carrier frequency.

Procedure description: A transmitter is assumed to be sending a 1010... pattern at the correct frequency and bit rate. The FEE is enabled (FEEC[1:0] = 11) and the number P of bit periods used in the measurement is 8 or 16. Only the sign of FEE is used.

Objective: The best XCO_tune value (giving the lowest IFEEI). The desired frequency of the receiver's PLL is midway between the "0" and "1" frequencies.

Local variables:

XCO_Present: (5-bit) holds current value in XCO_tune field

XCO_Step: (4-bit) holds amount by which XCO_tune will be incremented or decremented

XCO_Sign: (1 bit) has a value of either POS or NEG, determining respectively whether XCOtune is to be incremented or decremented (reducing XCOtune increases LO frequency)

XCO_tune_bits is a buffer, which is written to the XCOtune field when ProgramRFChip is called.

XCO TUNE PROCEDURE

Initialization:

```
XCO_Present = 16;
XCO_Step = 16;
XCO_Sign = NEG;
```

Registers properly set for reception;

LOOP:

```
XCO_Step = XCO_Step/2;
If (XCO_Sign == POS) then
  // If POS then increase LO frequency:
  {XCO_present = XCO_present - XCO_Step}
Else
  // If NEG then decrease LO frequency:
  {XCO_present = XCO_present + XCO_Step}
;
```

XCO_tune_bits = XCO_Present;

ProgramRFChip;

Wait for > P bit periods;

Read FEE;

If (FEE > 0?) then

```
{XCO_Sign = POS}
```

else

```
{XCO_Sign = NEG} // negative or 0
```

;

If (XCO_Step > 1) then

```
{Branch to LOOP}
```

Else

```
{If(XCO_Sign == POS) then
```

```
{XCO_Present = XCO_Present - 1;
```

```
Return (XCO_Present)}; \\ done
```

```
}
```

;

Transmitter

Power Amplifier

The maximum output power of the power amplifier (PA) is approximately 10dBm with a 50Ω load. For maximum output power, the load seen by the PA must be resistive. Higher output power can be obtained by decreasing the load impedance, but this will conflict with impedance matching to the LNA.

The output power is programmable in seven levels by means of the PA[2:0] field, with approximately 2.5dB between steps; see Table 17. The power amplifier is turned off when PA[2:0] = 000. Otherwise the PA is on and output power increases with the value of the PA[2:0] field and is maximum when PA[2:0] = 111.

Setting PA_by=1 causes the PA to be bypassed and output power to drop by ~22dB. It is still possible to control the power with PA[2:0] bits.

The LC filter shown in Figure 18 reduces harmonic emission when placed between the ANT pin and antenna.

Field Name	Number of bits	Location of bits	Description	Reference
Modulation	2	Reg1[7:6]	Modulation selection	Table 18
Mod_I	5	Reg4[4:0]	Modulator current setting	
Mod_A	4	Reg5[3:0]	Modulator attenuator setting	
Mod_F	3	Reg4[7:5]	Modulator filter setting	
PA	3	Reg0[6:4]	Power amplifier level	Table 17
PA_by	1	Reg2[4]	Bypass of PA stage on/off	Table 17

Table 16. Register Bit Fields for Transmitter and VCO Modulation

PA2	PA1	PA0	State (approximate attenuation)
0	0	0	PA off
0	0	1	15dB attenuation
0	1	0	12.5dB attenuation
0	1	1	10dB attenuation
1	0	0	7.5dB attenuation
1	0	1	5dB attenuation
1	1	0	2.5dB attenuation
1	1	1	Max output
PA_By			
0	Power Amplifier Enabled		
1	Power Amplifier bypassed, approx 20dB reduced output power.		

Table 17. Register Bit Fields for Power Amplifier

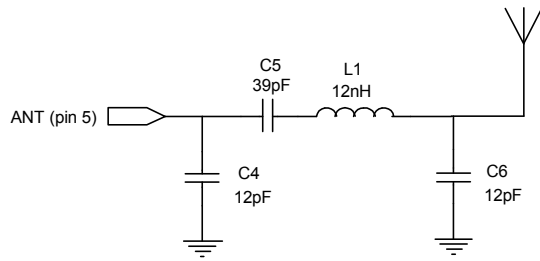


Figure 18. LC Filter

This filter is designed for the 490MHz band with 50Ω terminations. Component values may have to be tuned to compensate for layout parasitics.

Frequency Modulation

The MICRF507 supports two methods of FSK modulation, selected with the Modulation field as shown in Table 18: VCO modulation (enabled when Modulation1 is bit set to 0) and divider modulation (Modulation1 bit set to 1). The Modulation0 bit must always remain 0.

Modulation1	Modulation0	State
0	0	Closed loop VCO-modulation
0	1	Not in use
1	0	Modulation by A,M and N
1	1	Not in use

Table 18. Modulation Field

Bits from the microcontroller to be transmitted enter at the DATAIO pin. See Table 19.

The modulation index β must be a minimum of 2. It is given by

$$\beta = 2 \frac{f_{DEV}}{r_b}$$

in which f_{DEV} is the single-sided deviation and r_b is the bit rate. Another constraint on f_{DEV} is

$$f_{DEV} \geq r_b + f_{OFFSET}$$

where f_{OFFSET} is the total frequency offset between the receiver and the transmitter:

The calculated f_{DEV} should be used to calculate the needed receiver bandwidth, see “Switched Capacitor Filter” section.

	VCO Modulation	Frequency Divider Modulation
Set Modulation[1:0] to	00	10
Means of modulation	VCO modulation using modulator	Divider modulation by switching between A0/M0/NO and A1/M1/N1
Register fields to set	Refclk_K, Mod_clkS, Mod_I, Mod_A, Mod_F	A0, M0, N0, A1, M1, N1
PLL bandwidth required	Lower than 1/10 of bit rate	Higher than 2x bit rate
Bitstream constraints	DC balance required	None
Instantaneous frequency waveform (spectrum) determined by	Register fields affecting modulator	PLL transient response

Table 19. Modulation Modes

Divider Modulation

When Modulation[1:0] = 10, two sets of divider values need to be programmed. The divider values stored in the M0, N0, and A0 registers are selected to transmit a '0' and the M1, N1, and A1 registers are selected to transmit a '1'.

$$f_{RF0} = f_{XCO} \frac{16 \times N0 + A0}{2M0}$$

$$f_{RF1} = f_{XCO} \frac{16 \times N1 + A1}{2M1}$$

The carrier frequency that a receiver must be set to in order to receive the above transmitted signal is:

$$f_{RF} = \frac{f_{RF0} + f_{RF1}}{2}$$

and the single-sided deviation is:

$$f_{DEV} = \frac{f_{RF1} - f_{RF0}}{2}$$

The PLL must lock to a new frequency upon every transition in the transmitted bitstream and therefore, needs a high bandwidth, at least twice the bit rate.

VCO Modulation and the Modulator

VCO Modulation is selected when Modulation[1:0] = 00. The modulator generates a waveform with programmable amplitude and shape. This waveform is fed into a modulation varactor in the VCO, which performs the desired frequency modulation. The synthesizer operates with A=A0, M=M0, and N=N0.

To create the modulating waveform the modulator charges and discharges a capacitor, controlled by a modulator clock. As shown in Figure 19, each transition of the waveform takes four periods of the modulator clock. Charge/discharge current, and therefore slope, varies so

as to "round" the waveform and reduce the transmission spectral width.

The amplitude of the modulating waveform, and therefore frequency deviation, is determined by the modulation clock frequency (controlled by the crystal oscillator frequency and the register fields Refclk_K, and Mod_ClkS), the charge/discharge current (controlled by the register field Mod_I), and the setting of an attenuator (controlled by the register field Mod_A). The effects of these factors are explained and quantified below. A filter is provided to optimize transmit bandwidth, the proper setting of which is also explained below.

The synthesizer is a negative feedback loop that suppresses perturbations inside the loop (including the modulating varactor control voltage) below its bandwidth. The PLL will not allow modulation unless its transient response is slower than the bitstream pulses. Frequency deviation is a high-pass response to modulation. This means that when VCO modulation is used, the loop bandwidth must be less than the lowest baseband spectral component of the bitstream. It also means that the bitstream must be DC-free (have an equal number of ones and zeros). See "DC Balanced Line Coding" section.

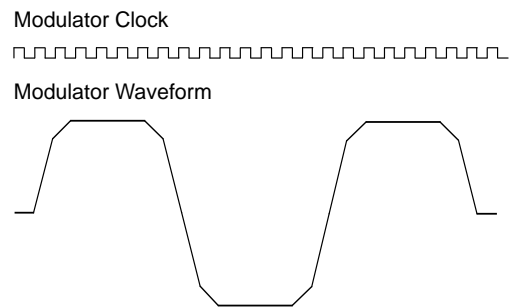


Figure 19. Modulator Waveform and Clock

Frequency Deviation under VCO Modulation

Three factors determine the deviation at which the data stream is modulated: modulator clock frequency, capacitor charge/discharge current, and modulator attenuator setting. After each is presented in turn, the complete formula for deviation is given.

The *modulator clock frequency* is determined by the crystal oscillator frequency and the settings of the Refclk_K and Mod_clkS fields:

$$f_{\text{MOD_CLK}} = \frac{f_{\text{XCO}}}{\text{Refclk_K} \times 2^{(7-\text{Mod_clkS})}}$$

Set the modulator clock frequency to either 8x or 16x the frequency deviation rate.

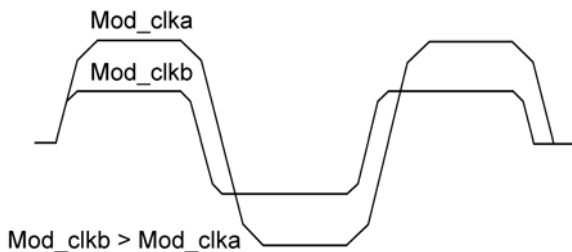


Figure 20. Two Different Modulator Clock Settings

Having $f_{\text{MOD_CLK}}$ set at 8 times the bit rate corresponds to a baseband data signal filtered in a Gaussian filter with a bandwidth-period product (BT) of 1. When BT is increased, the waveform will be less filtered. Figure 20 shows two waveforms with BT=1 (the minimum, with $f_{\text{MOD_CLK}}$ at 8 times the bitrate) and BT=2 (with $f_{\text{MOD_CLK}}$ at 16 times the bit rate). Changing BT changes the charge and discharge times and therefore the frequency deviation, as seen in Figure 20.

The *capacitor charge/discharge current*, set with the Mod_I field, affects deviation, as shown in Figure 21, where $\text{Mod_Ia} > \text{Mod_Ib}$. Higher current will give a higher frequency deviation and vice versa. The effect of modulator clock and Mod_I is as follows:

$$f_{\text{DEV}} \propto \frac{\text{Mod_I}}{f_{\text{MOD_CLK}}}$$

To avoid saturation in the modulator, it is important not to exceed maximum Mod_I. Maximum Mod_I for a given $f_{\text{MOD_CLK}}$ is given by:

$$\text{Mod_I}_{\text{MAX}} = \text{INT}(f_{\text{MOD_CLK}} \cdot 28 \times 10^{-6}) - 1$$

where INT() returns the integer part of the argument.

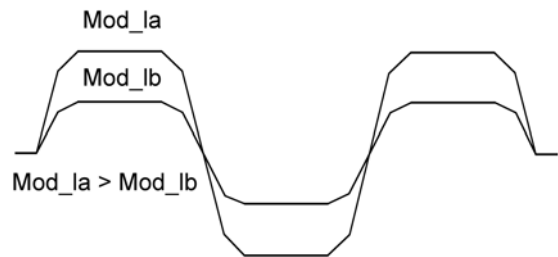


Figure 21. Two Different Modulator Current Settings

A third factor determining deviation is the *modulator attenuator*, controlled by the Mod_A field. The attenuator is used when the bit rate is small and/or the BT is small, which gives a relatively slow modulator clock and therefore long rise- and fall times, leading in turn to large frequency deviations unless the signal is attenuated. Additionally, the attenuator will improve the resolution in the modulator.

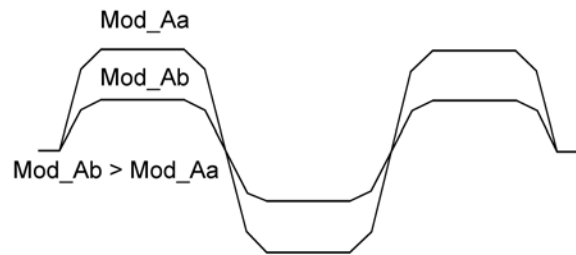


Figure 22. Two Different Modulator Attenuator Settings

The effect of the attenuator is given by:

$$f_{\text{DEV}} \propto \frac{1}{1 + \text{Mod_A}}$$

Figure 22 shows two waveforms with different attenuator setting: $Mod_Aa < Mod_Ab$. If Mod_A is increased, the frequency deviation is lowered and vice versa.

The resulting frequency deviation in terms of the parameters discussed above is given in the following equations:

$$f_{MOD_CLK} = \frac{f_{XCO}}{Refclk_K \times 2^{(7-Mod_clkS)}}$$

$$f_{DEV} = \frac{Mod_I}{f_{MOD_CLK}} \times \frac{1}{1+Mod_A} \times (C_1 + C_2 \times f_{RF})$$

where:

- f_{DEV} : Single sided frequency deviation [Hz]
- f_{XCO} : Crystal oscillator frequency [Hz]
- f_{RF} : Center frequency [Hz]
- Refclk_K: 6 bit divider, values between 1 and 63
- Mod_clkS: Modulator clock setting, values between 0 and 7
- f_{MOD_CLK} : Modulator clock frequency, derived from the crystal frequency, Refclk_K and Mod_clkS
- Mod_I: Modulator current setting, values between 0 and 31
- Mod_A: Modulator attenuator setting, values between 0 and 15
- C_1 : -2.72×10^{10}
- C_2 : 85.2

Note that the constants C_1 and C_2 are empirically derived. Actual frequency deviation may differ by a few percent.

Modulator Filter

To reduce the high-frequency components in the generated waveform, a filter with programmable cut-off frequency can be enabled. This is done using $Mod_F[2:0]$, bit 0 being LSB. The Mod_F field should be set according to the formula:

$$Mod_F = \frac{150 \times 10^3 \text{ bps}}{r_b}$$

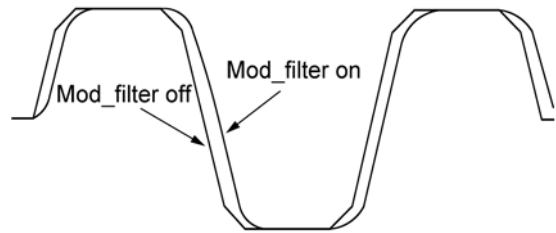


Figure 23. Modulator Waveform with and without Filtering

in which r_b is the bit rate in bits/sec. $Mod_F=0$ disables the modulator filter and $Mod_F=7$ provides the most filtering. Figure 23 shows a waveform with and without the filter.

The modulator filter will not influence the frequency deviation as long as the programmed cut-off frequency is above the actual bit rate.

System Modes and Initialization

Start-up and Initialization

After supply voltage is applied to the MICRF507, a power on reset period elapses during which it should be considered to be in an unknown state. The microcontroller should wait until power on reset is completed. See “Power-On Reset” subsection within the “Control (3-wire) Interface” section. After power-on is completed, all 22 writeable registers must be correctly initialized before operation of the MICRF507. Write only non-zero values to the M0, N0, M1, and N1 fields.

Modes of Operation

Mode1	Mode0	State	Comments
0	0	Power down	Keeps register configuration
0	1	Standby	Only crystal oscillator running
1	0	Receive	Full receive
1	1	Transmit	Full transmit except PA state

Table 20. Main Mode Bits

Mode Transitions

To go from power down mode to either receive or transmit mode, the MICRF507 needs to go through the standby mode first. This is to ensure that the crystal oscillator starts up correctly. Once the crystal oscillator settles, the MICRF507 can go to receive or transmit mode.

When the mode has been changed to Transmit or Receive, or when the power amplifier has been enabled, the synthesizer must be allowed to stabilize. See “Lock Detect” section.

Field Name	Number of bits	Location of bits	Description	Reference
Mode	2	Reg0[2:1]	Main mode selection	Table 20
OUTS	4	Reg2[3:0]	Test pins output	Table 28

Table 21. Register Bit Fields for System Functions

When using VCO modulation; after MICRF507 has been put in transmit mode, the microcontroller will tri-state the driver connected to DATAIXO pin to leave that pin floating until the microcontroller begins sending data. This is because in transmit mode, the modulator is disabled while the DATAIXO pin is floating (a weak voltage divider sets its level at $V_{dd}/2$) in order to prevent a performance-degrading transient when message transmission begins.

Below, “write to registers” means writing a complete control word, or writing just to registers that need to change.

Transition to transmit mode:

- Write to registers, setting transmit mode, and other changes as needed; set/keep PA off (to reduce spurious emissions). This makes DATAIXO an input.
- Write to registers setting PA on (this requires updating Register 0 only).
- Wait for LD.
- Enable the microcontroller’s pin as an output driving DATAIXO and begin sending the transmit bitstream.
- After the last bit is transmitted return the microcontroller’s pin to being an input.

Transition to receive mode:

- Have the microcontroller’s DATAIXO driver disabled.
- Write to registers setting receive mode and other changes as needed.
- Wait for LD. Or, if desired, commence checking the received bitstream for a valid message without waiting.

Message Coding and Formatting

DC Balanced Line Coding

Line coding, diagrammed in Figure 24, is used when a communication channel imposes constraints on bit sequences. An encoding stage that ensures DC balance (equal numbers of '1' and '0' bits and no long consecutive runs of either) in the encoded bit stream allows the use of VCO modulation without restrictions on the message bit stream. Of the coding schemes which meet this need, Manchester encoding and 3B4B are among the most commonly used. Programming and performance of the MICRF507 are based on the encoded bit rate.

In Manchester encoding, each message bit maps to a word made of two encoded bits as shown in Table 22. The encoded bit rate is twice the message bit rate so the encoding overhead is 100%. When selecting PLL loop filter it is important to note that frequency content of the encoded bit stream extends down to one-fourth of the encoded bit rate. That is the case of a 0101... message bit sequence, which results in a 100110011001... encoded bit sequence.

Data	Word
"0"	"10"
"1"	"01"

Table 22. Manchester Encoding

Another encoding method, which is much more efficient than Manchester coding, is 3B4B, where three message data bits are encoded into a four-line-bit word. The encoded bit rate is three-quarter times the message bit rate. For perfect DC balance, a four bit word would have to have two '1' line bits and two '0' line bits. Only six such words are possible. Special steps are therefore needed to deal with the remaining two encodings: whenever 000 and 111 data appear, toggle a flag that remembers whether the last encoded word was taken from the "Word A" column and select the respective word from the other column shown in Table 23.

Data	Word A	Word B
000	1011	0100
001	1100	
010	0011	
011	1010	
100	0101	
101	1001	
110	0110	
111	1101	0010

Table 23. 3B4B Encoding

Data bits	Encoded words	Comments
000 000 000 000 000	1011 0100 1011 0100 1011	A Flag indicates if "Word A" has been used
111 111 010 110 000	1101 0010 0011 0110 1011	A Flag indicates if "Word A" has been used

Table 24. Example of 3B4B Encoding

Message Formatting: Preamble

Messages are typically preceded by a header consisting of 24 bits in an alternating pattern: 0101... Such a header can permit the following actions by the receiver prior to the arrival of information-carrying bits:

- Reading of RSSI
- Bit synchronizer lock-up
- Using the FEE to null out frequency offset

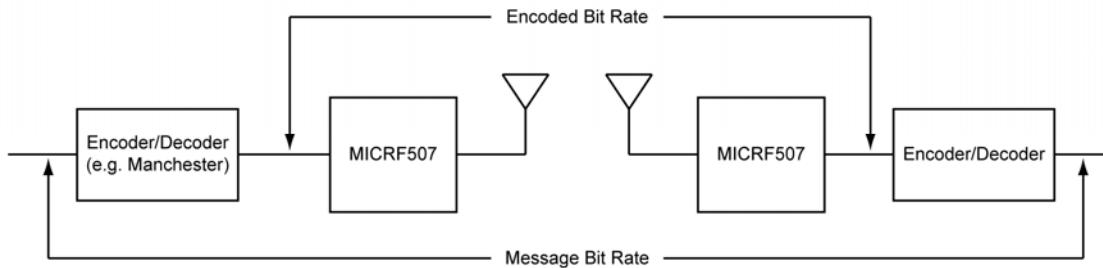
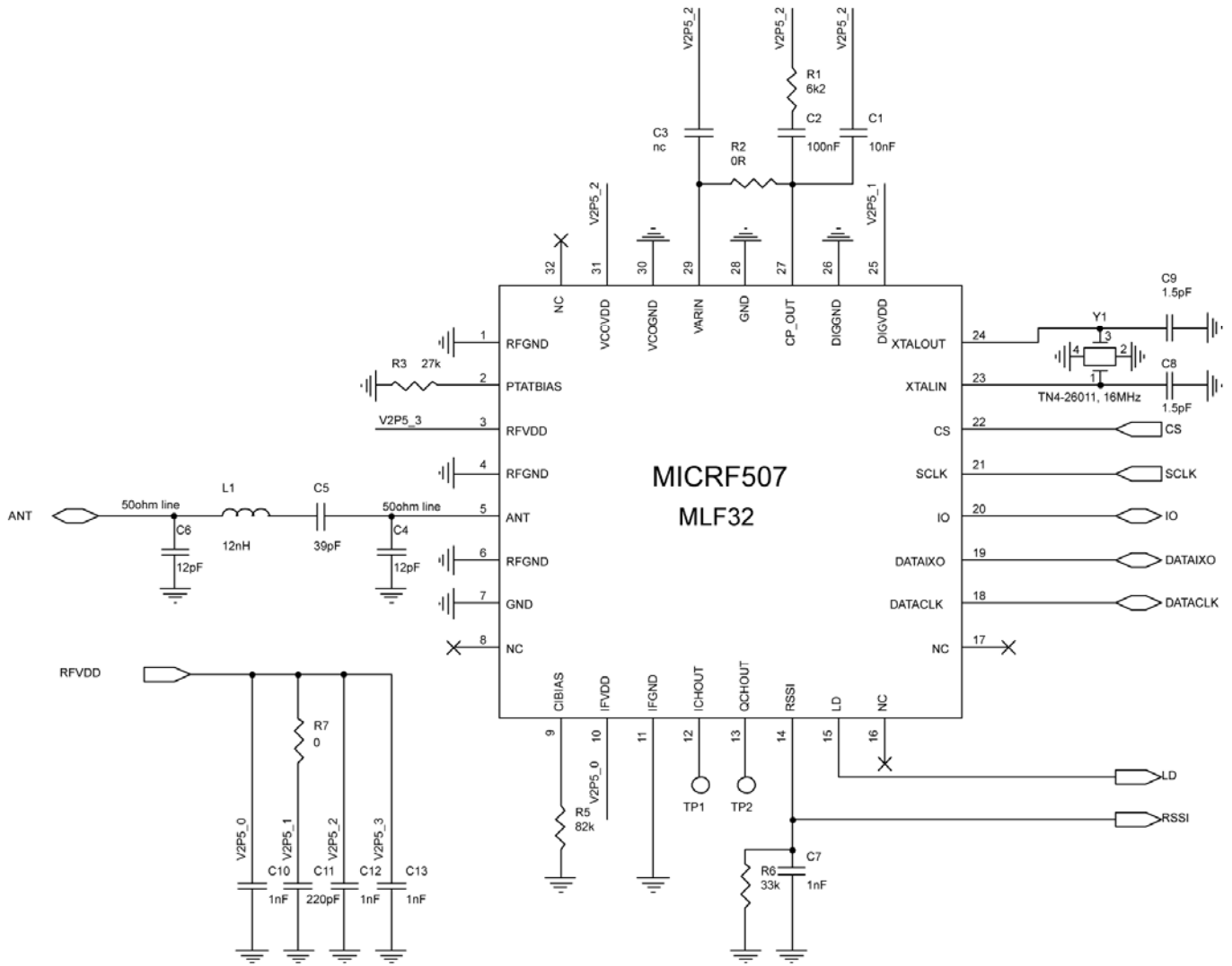


Figure 24. Link Architecture with Encoding

Typical Application



Bill of Materials

Item	Part Number	Manufacturer	Description	Qty.
C1	GRM188R71C103K	Murata ⁽¹⁾	0.01 μ F, 16V Capacitor, X7R \pm 10%, Size 0603	1
C2	GRM219R71C104K	Murata ⁽¹⁾	0.1 μ F, 16V Capacitor, X7R \pm 10%, Size 0805	1
C3			No Connect	0
C4	GRM1885C1H120J	Murata ⁽¹⁾	12pF, 50V Capacitor, COG \pm 5%, Size 0603	1
C5	GRM1885C1H390J	Murata ⁽¹⁾	39pF, 50V Capacitor, COG \pm 5%, Size 0603	1
C6	GRM1885C1H120J	Murata ⁽¹⁾	12pF, 50V Capacitor, COG \pm 5%, Size 0603	1
C7	GRM155R61A102K	Murata ⁽¹⁾	Optional 1000pF	1
C8, C9	GRM1555C1H1R5C	Murata ⁽¹⁾	1.5pF, 50V Capacitor, COG \pm 0.25pF, Size 0402	2
C10	GRM155R61A102K	Murata ⁽¹⁾	1000pF, 10V Capacitor, X5R \pm 10%, Size 0402	1
C11	GRM155R71H221K	Murata ⁽¹⁾	220pF, 50V Capacitor, X7R \pm 10%, Size 0402	1
C12, C13	GRM155R61A102K	Murata ⁽¹⁾	1000pF, 10V Capacitor, X5R \pm 10%, Size 0402	2
R1	CRCW04026200RJK	Vishay ⁽²⁾	6.2k Resistor, \pm 5%, Size 0402	1
R2	CRCW04020RJK	Vishay ⁽²⁾	0 Ω Resistor, \pm 5%, Size 0402	1
R3	CRCW040227KJK	Vishay ⁽²⁾	27k Resistor, \pm 5%, Size 0402	1
R5	CRCW040282KJK	Vishay ⁽²⁾	82k Resistor, \pm 5%, Size 0402	1
R6	CRCW040233KJK	Vishay ⁽²⁾	33K Resistor, \pm 5%, Size 0402	1
R7	CRCW04020RJK	Vishay ⁽²⁾	0 Ω Resistor, \pm 5% Size 0402	1
L1	0603CS-12NXJB	Coilcraft ⁽³⁾	12nH, \pm 5%, Size 0603	1
Y1	TSX-10A16.0000MHz: TN4-26011	Toyocom ⁽⁴⁾	16MHz, 9pF, 10/10ppm	1
U1	MICRF507	Micrel, Inc. ⁽⁵⁾	470MHz to 510MHz Low-Power FSK Transceiver with +10dBm Power Amplifier	1

Notes:

1. Murata: www.murata.com
2. Vishay: www.vishay.com
3. Coilcraft: www.coilcraft.com
4. Toyocom: www.epsontoyocom.co.jp/english
5. **Micrel, Inc.:** www.micrel.com

Layout Considerations

To ensure the best RF performance, a carefully planned layout is essential. Grounding, RF path geometry, supply routing, and layer definition all play a role in an optimal design. These are discussed below, and a recommended layout can be found on the Micrel website (www.micrel.com).

Layer Definition

A typical MICRF507 PCB design consists of four layers, with the following stack-up:

Layer1 – Component and RF routing

Layer2 – Ground

Layer3 – VDD Routing

Layer 4 – Non-RF Routing

While not the only acceptable definition, this example provides a good foundation for the general techniques discussed below.

Grounding

Design the layout to provide the shortest possible return path for signals and noise sources. Place ground vias close to all critical items such as ground pins on the RF IC, decoupling capacitors, and matching components.

RF Traces

The ANT pin impedance is approximately 50Ω. To minimize reflection due to impedance mismatch, RF traces should be a controlled impedance of 50Ω as well. Refer to the Micrel Development Board layout, or a transmission line impedance calculator to verify a specific geometry's characteristic impedance.

Supply Routing

The radio system is sensitive to supply noise and signals coupled from one section to another. Routing the supply lines on an internal layer (below the ground layer) separates them from potential noise sources such as the reference oscillator, PA, charge pump, etc. Route supplies separately and place bypass capacitors as close as possible to the associated pin.

PLL Loop Filter

Place loop filter components close to each other and near pins 27 and 29. Connection of the loop filter to VDD should occur very close to VCOVDD, pin 31. Avoid routing potentially noisy busses or traces near the loop filter.

Overview of Programming Bits

Address Field	Data Field							
	D7	D6	D5	D4	D3	D2	D1	D0
0000000	LNA_by	PA2	PA1	PA0	Sync_en	Mode1	Mode0	Load_en
0000001	Modulation1	Modulation0	OL_opamp_en ("0")	PA_LDc_en ("0")	RSSI_en	LD_en	PF_FC1	PF_FC0
0000010	CP_HI	SC_by	VCO_by ("0")	PA_by	OUTS3	OUTS2	OUTS1	OUTS0
0000011	IFBias_s ("1")	IFA_HG ("1")	VCO_BIAS_s ("0")	VCO_IB2	VCO_IB1	VCO_IB0	VCO_freq 1	VCO_freq0
0000100	Mod_F2	Mod_F1	Mod_F0	Mod_I4	Mod_I3	Mod_I2	Mod_I1	Mod_I0
0000101	-	-	Mod_FHG ("0")	Mod_shape ("1")	Mod_A3	Mod_A2	Mod_A1	Mod_A0
0000110	-	Mod_clkS2	Mod_clkS1	Mod_clkS0	BitSync_clkS2	BitSync_clkS1	BitSync_clk S0	BitRate_clkS2
0000111	BitRate_clkS1	BitRate_clkS0	RefClk_K5	RefClk_K4	RefClk_K3	RefClk_K2	RefClk_K1	RefClk_K0
0001000	SC_HI ("1")	ScClk_X2 ("1")	ScSW_en ("0")	ScClk4	ScClk3	ScClk2	ScClk1	ScClk0
0001001	PrescalMode_s ("0")	Prescal_s ("0")	XCOAR_en ("1")	XCOtune4	XCOtune3	XCOtune2	XCOtune1	XCOtune0
0001010	-	-	A0_5	A0_4	A0_3	A0_2	A0_1	A0_0
0001011	-	-	-	-	N0_11	N0_10	N0_9	N0_8
0001100	N0_7	N0_6	N0_5	N0_4	N0_3	N0_2	N0_1	N0_0
0001101	-	-	-	-	M0_11	M0_10	M0_9	M0_8
0001110	M0_7	M0_6	M0_5	M0_4	M0_3	M0_2	M0_1	M0_0
0001111	-	-	A1_5	A1_4	A1_3	A1_2	A1_1	A1_0
0010000	-	-	-	-	N1_11	N1_10	N1_9	N1_8
0010001	N1_7	N1_6	N1_5	N1_4	N1_3	N1_2	N1_1	N1_0
0010010	-	-	-	-	M1_11	M1_10	M1_9	M1_8
0010011	M1_7	M1_6	M1_5	M1_4	M1_3	M1_2	M1_1	M1_0
0010100	Div2_HI ("1")	LO_IB1 ("0")	LO_IB0 ("1")	PA_IB4 ("1")	PA_IB3 ("0")	PA_IB2 ("1")	PA_IB1 ("0")	PA_IB0 ("1")
0010101	-	-	-	-	FEEC_3	FEEC_2	FEEC_1	FEEC_0
0010110	FEE_7	FEE_6	FEE_5	FEE_4	FEE_3	FEE_2	FEE_1	FEE_0

Table 25. Overview of Register Bits

Detailed Description of Programming Bits

ADR #	BIT #	Name	Description	Comments
0000000	7	By_LNA	LNA bypass on/off	
	6	PA2	Power amplifier level, 3.bit	Reference Table 17
	5	PA1	Power amplifier level, 2.bit	Reference Table 17
	4	PA0	Power amplifier level, 1.bit	Reference Table 17
	3	Sync_en	Synchronizer Mode bit	Reference Table 7
	2	Mode1	Main Mode selection 2.bit	Reference Table 20
	1	Mode0	Main Mode selection 1.bit	Reference Table 20
	0	Load_en	"1" mandatory	
0000001	7	Modulation1	Modulation selection 2.bit	Reference Table 18
	6	Modulation0	Modulation selection 1.bit	Reference Table 18
	5	OL_opamp_en	"0" mandatory	
	4	PA_LDc_en	"0" mandatory. PA on/off controlled by Lock Detect pin if this bit is 1	
	3	RSSI_en	RSSI function on/off	
	2	LD_en	Lock detect function on/off	
	1	PF_FC1	Pre-filter corner frequency 2.bit	Reference Table 14
	0	PF_FC0	Pre-filter corner frequency 1.bit	Reference Table 14
0000010	7	CP_HI	High charge-pump current (4x=500uA) on/off	
	6	SC_by	Bypass of Switched Capacitor filter on/off	
	5	VCO_by	"0" mandatory. Bypass of VCO stage on/off	
	4	PA_by	Bypass of PA stage on/off	
	3	OUTS3	Test pins output 4.bit	Reference Table 28
	2	OUTS2	Test pins output 3.bit	Reference Table 28
	1	OUTS1	Test pins output 2.bit	Reference Table 28
	0	OUTS0	Test pins output 1.bit	Reference Table 28
0000011	7	IFBias_s	"1" mandatory.	
	6	IFA_HG	"1" mandatory.High gain setting in preamplifier	
	5	VCO_Bias_s	"0" mandatory.Select separate bias for VCO on VCOBias pin	
	4	VCO_IB2	VCO bias current setting, 3. bit (111 = highest current)	Reference Table 11
	3	VCO_IB1	VCO bias current setting, 2. bit (100 = typical current)	Reference Table 11
	2	VCO_IB0	VCO bias current setting, 1. bit	Reference Table 11
	1	VCO_freq1	Frequency setting of VCO, 2. bit (11=highest frequency)	Reference Table 11
	0	VCO_freq0	Frequency setting of VCO, 1.bit	Reference Table 11
0000100	7	Mod_F2	Modulator filter setting, MSB	
	6	Mod_F1	Modulator filter setting	
	5	Mod_F0	Modulator filter setting, LSB	
	4	Mod_I4	Modulator current setting, MSB	
	3	Mod_I3	Modulator current setting	
	2	Mod_I2	Modulator current setting	
	1	Mod_I1	Modulator current setting	

ADR #	BIT #	Name	Description	Comments
	0	Mod_I0	Modulator current setting, LSB	
0000101	7	-----	Reserved/not in use	
	6	-----	Reserved/not in use	
	5	Mod_FHG	"0" mandatory. Modulator Test bit.	
	4	Mod_shape	"1" mandatory. Modulator shape enable	
	3	Mod_A3	Modulator attenuator setting, LSB	
	2	Mod_A2	Modulator attenuator setting	
	1	Mod_A1	Modulator attenuator setting	
	0	Mod_A0	Modulator attenuator setting, MSB (=0: Attenuator active)	
0000110	7	-----	Reserved/not in use	
	6	Mod_clkS2	Modulator clock setting 3.bit	
	5	Mod_clkS1	Modulator clock setting 2.bit	
	4	Mod_clkS0	Modulator clock setting 1.bit	
	3	BitSync_clkS2	BitSync clock setting 3.bit	
	2	BitSync_clkS1	BitSync clock setting 2.bit	
	1	BitSync_clkS0	BitSync clock setting 1.bit	
	0	BitRate_clkS2	Bitrate clock setting 3.bit	
0000111	7	BitRate_clkS1	Bitrate clock setting 2.bit	
	6	BitRate_clkS0	Bitrate clock setting 1.bit	
	5	RefClk_K5	Reference clock divider 6.bit	
	4	RefClk_K4	Reference clock divider 5.bit	
	3	RefClk_K3	Reference clock divider 4.bit	
	2	RefClk_K2	Reference clock divider 3.bit	
	1	RefClk_K1	Reference clock divider 2.bit	
	0	RefClk_K0	Reference clock divider 1.bit	
0001000	7	SC_HI	"1" mandatory. Switched Cap filter high current setting on/off	
	6	ScClk_X2	"1" mandatory. Switched Cap clock multiplied by two	
	5	ScSw_EN	"0" mandatory. Switch cap switch enable	
	4	ScClk4	SwitchCap clock divider 5.bit	
	3	ScClk3	SwitchCap clock divider 4.bit	
	2	ScClk2	SwitchCap clock divider 3.bit	
	1	ScClk1	SwitchCap clock divider 2.bit	
	0	ScClk0	SwitchCap clock divider 1.bit	
0001001	7	PrescalMode_s	"1" mandatory. Select external control of prescal mode (div32/33)	
	6	Prescale_s	"0" mandatory. Select external control of prescale mode (div 32/33)	
	5	XCOAR_en	"1" mandatory. XCO amplitude regulation on/off	
	4	XCOtune4	Crystal oscillator trimming, LSB	
	3	XCOtune3	Crystal oscillator trimming	
	2	XCOtune2	Crystal oscillator trimming	
	1	XCOtune1	Crystal oscillator trimming	

ADR #	BIT #	Name	Description	Comments
	0	XCOtune0	Crystal oscillator trimming, MSB	
0001010	7	-----	Reserved/not in use	
	6	-----	Reserved/not in use	
	5	A0_5	A0-counter 6.bit	
	4	A0_4	A0-counter 5.bit	
	3	A0_3	A0-counter 4.bit	
	2	A0_2	A0-counter 3.bit	
	1	A0_1	A0-counter 2.bit	
	0	A0_0	A0-counter 1.bit	
0001011	7	-----	Reserved/not in use	
	6	-----	Reserved/not in use	
	5	-----	Reserved/not in use	
	4	-----	Reserved/not in use	
	3	N0_11	N0-counter 12.bit	
	2	N0_10	N0-counter 11.bit	
	1	N0_9	N0-counter 10.bit	
	0	N0_8	N0-counter 9.bit	
0001100	7	N0_7	N0-counter 8.bit	
	6	N0_6	N0-counter 7.bit	
	5	N0_5	N0-counter 6.bit	
	4	N0_4	N0-counter 5.bit	
	3	N0_3	N0-counter 4.bit	
	2	N0_2	N0-counter 3.bit	
	1	N0_1	N0-counter 2.bit	
	0	N0_0	N0-counter 1.bit	
0001101	7	-----	Reserved/not in use	
	6	-----	Reserved/not in use	
	5	-----	Reserved/not in use	
	4	-----	Reserved/not in use	
	3	M0_11	M0-counter 12.bit	
	2	M0_10	M0-counter 11.bit	
	1	M0_9	M0-counter 10.bit	
	0	M0_8	M0-counter 9.bit	
0001110	7	M0_7	M0-counter 8.bit	
	6	M0_6	M0-counter 7.bit	
	5	M0_5	M0-counter 6.bit	
	4	M0_4	M0-counter 5.bit	
	3	M0_3	M0-counter 4.bit	
	2	M0_2	M0-counter 3.bit	
	1	M0_1	M0-counter 2.bit	
	0	M0_0	M0-counter 1.bit	
0001111	7	-----	Reserved/not in use	
	6	-----	Reserved/not in use	

ADR #	BIT #	Name	Description	Comments
	5	A1_5	A1-counter 6.bit	
	4	A1_4	A1-counter 5.bit	
	3	A1_3	A1-counter 4.bit	
	2	A1_2	A1-counter 3.bit	
	1	A1_1	A1-counter 2.bit	
	0	A1_0	A1-counter 1.bit	
0010000	7	-----	Reserved/not in use	
	6	-----	Reserved/not in use	
	5	-----	Reserved/not in use	
	4	-----	Reserved/not in use	
	3	N1_11	N1-counter 12.bit	
	2	N1_10	N1-counter 11.bit	
	1	N1_9	N1-counter 10.bit	
	0	N1_8	N1-counter 9.bit	
0010001	7	N1_7	N1-counter 8.bit	
	6	N1_6	N1-counter 7.bit	
	5	N1_5	N1-counter 6.bit	
	4	N1_4	N1-counter 5.bit	
	3	N1_3	N1-counter 4.bit	
	2	N1_2	N1-counter 3.bit	
	1	N1_1	N1-counter 2.bit	
	0	N1_0	N1-counter 1.bit	
0010010	7	-----	Reserved/not in use	
	6	-----	Reserved/not in use	
	5	-----	Reserved/not in use	
	4	-----	Reserved/not in use	
	3	M1_11	M1-counter 12.bit	
	2	M1_10	M1-counter 11.bit	
	1	M1_9	M1-counter 10.bit	
	0	M1_8	M1-counter 9.bit	
0010011	7	M1_7	M1-counter 8.bit	
	6	M1_6	M1-counter 7.bit	
	5	M1_5	M1-counter 6.bit	
	4	M1_4	M1-counter 5.bit	
	3	M1_3	M1-counter 4.bit	
	2	M1_2	M1-counter 3.bit	
	1	M1_1	M1-counter 2.bit	
	0	M1_0	M1-counter 1.bit	
0010100	7	Div2_HI	"1" mandatory. High bias current setting in Div2 circuit on/off	
	6	LO_IB1	"0" mandatory. Bias current setting of LObuffer, 2. bit (11 = highest current)	

ADR #	BIT #	Name	Description	Comments
	5	LO_IB0	"1" mandatory. Bias current setting of LObuffer, 1. bit (01 = typical current)	
	4	PA_IB4	"0" mandatory. Bias current setting of PA, 2. bit (11 = highest current)	
	3	PA_IB3	"0" mandatory. Bias current setting of PA, 1. bit (01 = typical current)	
	2	PA_IB2	"0" mandatory. Bias current setting of PAbuffer, 3. bit	
	1	PA_IB1	"1" mandatory. Bias current setting of PAbuffer, 2. bit	
	0	PA_IB0	"1" mandatory. Bias current setting of PAbuffer, 1. bit	
0010101	7	-----	Reserved/not in use	
	6	-----	Reserved/not in use	
	5	-----	Reserved/not in use	
	4	-----	Reserved/not in use	
	3	FEEC_3	FEE control bit	Reference Table 15
	2	FEEC_2	FEE control bit	Reference Table 15
	1	FEEC_1	FEE control bit	Reference Table 15
	0	FEEC_0	FEE control bit	Reference Table 15
0010110	7	FEE_7	FEE value, bit 7, MSB	
	6	FEE_6	FEE value, bit 6	
	5	FEE_5	FEE value, bit 5	
	4	FEE_4	FEE value, bit 4	
	3	FEE_3	FEE value, bit 3	
	2	FEE_2	FEE value, bit 2	
	1	FEE_1	FEE value, bit 1	
	0	FEE_0	FEE value, bit 0, LSB	

Table 26. Detailed Description of Programming Bits

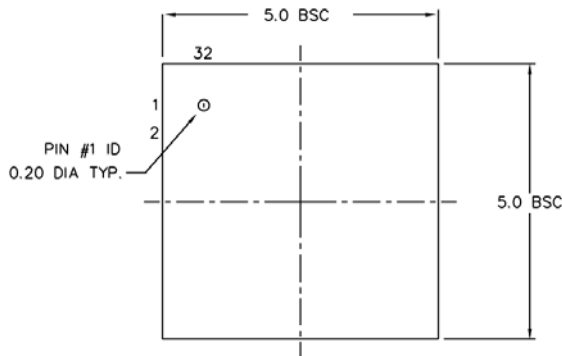
Category	Field Name	Number of bits	Location of bits	Description	Reference
Clocking	XCOtune	5	Reg9[4:0]	Crystal oscillator trimming	
	RefClk_K	6	Reg7[5:0]	Reference clock divider	
	BitRate_clkS	3	Reg6[0], Reg7[7:6]	Bitrate clock setting	
	Mod_clkS	3	Reg6[6:4]	Modulator clock setting	
	BitSync_clkS	3	Reg6[3:1]	BitSync clock setting	
Data/F	Sync_en	1	Reg0[3]	Synchronizer Mode bit	Table 7
Synthesizer	M0	12	Reg13[3:0], Reg14[7:0]	M0 counter	
	A0	6	Reg10[5:0]	A0 counter	
	N0	12	Reg11[3:0], Reg12[7:0]	N0 counter	
	M1	12	Reg18[3:0], Reg19[7:0]	M1 counter	
	A1	6	Reg15[5:0]	A1 counter	
	N1	12	Reg16[3:0], Reg17[7:0]	N1 counter	
	CP_HI	1	Reg2[7]	High charge pump current (500 μ A = 4x) on/off	
	VCO_Freq	2	Reg3[1:0]	Frequency setting of VCO (highest frequency at 11)	
	VCO_IB	3	Reg3[4:2]	VCO bias current setting (highest current at 111, 100 typical)	
	LD_en	1	Reg1[2]	Lock detect function on/off	
Receive	By_LNA	1	Reg0[7]	LNA bypass on/off	
	PF_FC	2	Reg1[1:0]	Pre-filter corner frequency	Table 14
	SC_by	1	Reg2[6]	Bypass of switched capacitor filter on/off	
	ScClk	5	Reg8[4:0]	Switched Cap clock divider	
	RSSI_en	1	Reg1[3]	RSSI function on/off	
	FEEC	4	Reg21[3:0]	FEE control bits	Table 15
		FEE	8	Reg22[7:0]	FEE value (read only)
Transmit/VCO modulation	Modulation	2	Reg1[7:6]	Modulation selection	Table 18
	Mod_I	5	Reg4[4:0]	Modulator current setting	
	Mod_A	4	Reg5[3:0]	Modulator attenuator setting	
	Mod_F	3	Reg4[7:5]	Modulator filter setting	
	PA	3	Reg0[6:4]	Power amplifier level	Table 17
		PA_by	1	Reg2[4]	Bypass of PA stage on/off
System	Mode	2	Reg0[2:1]	Main mode selection	Table 20
		OUTS	4	Reg2[3:0]	Test pins output

Table 27. Register Fields

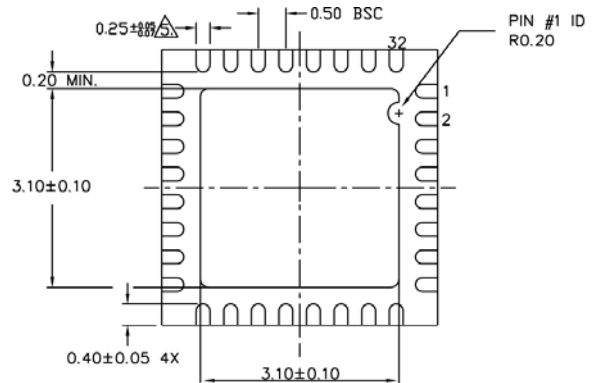
OutS3	OutS2	OutS1	OutS0	IchOut	QchOut	Ichout2 / RSSI	QchOut2 / NC
0	0	0	0	Gnd	Gnd	Gnd	Gnd
0	0	0	1	Ip mixer	In mixer	Ip IFamp	In IFamp
0	0	1	0	Qp mixer	Qn mixer	Qp IFamp	Qn IFamp
0	0	1	1	Ip IFamp	In IFamp	Ip SC-filter	In SC-filter
0	1	0	0	Qp IFamp	Qn IFamp	Qp SC-filter	Qn SC-filter
0	1	0	1	Ip SC-filter	In SC-filter	Gnd	I limiter
0	1	1	0	Qp SC-filter	Qn SC-filter	Gnd	Q limiter
0	1	1	1	Ip mixer	In mixer	Ip SC-filter	In SC-filter
1	0	0	0	Qp mixer	Qn mixer	Qp SC-filter	Qn SC-filter
1	0	0	1	Ip mixer	In mixer	Gnd	I limiter
1	0	1	0	Qp mixer	Qn mixer	Gnd	Q limiter
1	0	1	1	Ip mixer	Qp mixer	ModIn	PrescalMode
1	1	0	0	Ip IFamp	Qp IFamp	T11	TQ1
1	1	0	1	Ip SC-filter	Qp SC-filter	DemodUp	DemodDn
1	1	1	0	I limiter	Q limiter	Demod	MAout
1	1	1	1	N-div	M-div	Phi1n	Phi2n

Table 28. Test Signals

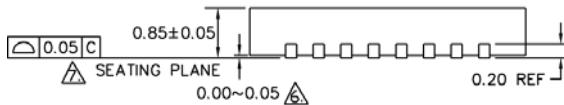
Package Information



TOP VIEW






BOTTOM VIEW



SIDE VIEW

NOTE:

1. ALL DIMENSIONS ARE IN MILLIMETERS.
 2. MAX. PACKAGE WARPAGE IS 0.05 mm.
 3. MAXIMUM ALLOWABLE BURRS IS 0.076 mm IN ALL DIRECTIONS.
 4. PIN #1 ID ON TOP WILL BE LASER/INK MARKED.
-  DIMENSION APPLIES TO METALIZED TERMINAL AND IS MEASURED BETWEEN 0.20 AND 0.25 mm FROM TERMINAL TIP.
 APPLIED ONLY FOR TERMINALS.
 APPLIED FOR EXPOSED PAD AND TERMINALS.

32-Pin MLF[®] (ML)

MICREL, INC. 2180 FORTUNE DRIVE SAN JOSE, CA 95131 USA
 TEL +1 (408) 944-0800 FAX +1 (408) 474-1000 WEB <http://www.micrel.com>

The information furnished by Micrel in this data sheet is believed to be accurate and reliable. However, no responsibility is assumed by Micrel for its use. Micrel reserves the right to change circuitry and specifications at any time without notification to the customer.

Micrel Products are not designed or authorized for use as components in life support appliances, devices or systems where malfunction of a product can reasonably be expected to result in personal injury. Life support devices or systems are devices or systems that (a) are intended for surgical implant into the body or (b) support or sustain life, and whose failure to perform can be reasonably expected to result in a significant injury to the user. A Purchaser's use or sale of Micrel Products for use in life support appliances, devices or systems is a Purchaser's own risk and Purchaser agrees to fully indemnify Micrel for any damages resulting from such use or sale.

© 2010 Micrel, Incorporated.