

Prepared Date: 11/30/2004	 Quanta Display Inc. SPECIFICATION	Doc No. QD15TL0203-00
Preliminary Specification		Doc. REV.: 00
Issue Date: 02/14/2005		
RoHS compliant		

Specification for TFT LCD Module

Model No.
 QD15TL02 Rev.:03

? **Approval By**

.

Quanta Display Inc.



These specification sheets are the proprietary product of Quanta Display Inc. ("QDI") and include materials protected under copyright of QDI. Do not reproduce or cause any third party to reproduce them in any form or by any means, electronic or mechanical, for any purpose, in whole or in part, without the express written permission of QDI.

The device listed in these technical literature sheets was designed and manufactured for use in OA equipment.

In case of using the device for applications such as control and safety equipment for transportation (aircraft, trains, automobiles, etc.), rescue and security equipment and various safety related equipment which require higher reliability and safety, take into consideration that appropriate measures such as fail-safe functions and redundant system design should be taken.

Do not use the device for equipment that requires an extreme level of reliability, such as aerospace applications, telecommunication equipment (trunk lines), nuclear power control equipment and medical or other equipment for life support.

QDI assumes no responsibility for any damage resulting from the use of the device, which does not comply with the instructions, and the precautions specified in these technical literature sheets.

Contact and consult with a QDI sales representative for any questions about this device.

1. Application

This specification applies to a color TFT-LCD module, QD15TL02.

2. Overview

This module is a color active matrix LCD module incorporating amorphous silicon TFT (Thin Film Transistor). It is composed of a color TFT-LCD panel; driver ICs, control circuit and power supply circuit and a backlight unit. Graphics and texts can be displayed on a 1280× 3 × 800 dots panel with 262,144 colors by using LVDS (Low Voltage Differential Signaling) to interface and supplying +3.3V DC supply voltage for TFT-LCD panel driving and supply voltage for backlight.

The TFT-LCD panel used for this module has very high aperture ratio. A low-reflection and higher-color-saturation type color filter is also used for this panel. Therefore, high-brightness and high-contrast image, which is suitable for the multimedia use, can be obtained by using this module.

Optimum viewing direction is 6 o'clock.

[Features]

- 1) High aperture panel; high-brightness or low power consumption.
- 2) Brilliant and high contrast image.
- 3) Small footprint and thin shape.
- 4) Light weight.
- 5) Wide Screen 15.4" WXGA
- 6) RoHs compliant

3. General Specifications

Parameter	Specifications	Unit
Display size	390.1 (15.4") Diagonal	mm
Active area	331.2× 207.0	mm
Pixel format	1280 (H)× 800 (V)	Pixel
	(1 pixel = R+G+B dots)	
Pixel pitch	0.2588(H) × 0.2588 (V)	mm
Pixel configuration	R, G, B vertical stripe	
Display mode	Normally white	
Unit outline dimensions (typ.)*1	344.0(W)× 222.0 (H)× 6.35(T)max.	mm
Mass	585 max.	g
Surface treatment	Anti-Glare ; Hardness 3H; Low reflection(~5%)	

*1.Note: excluding backlight cables. Outline dimensions are shown in this specification.

4. Input Terminals

4-1. TFT-LCD panel driving

CN1 (1 channel, LVDS signals – NSC/Ti standard and +3.3V DC power supply)

Using connector: FI-XB30Sx-HFxx/FI-X30Sx-HFxx/equivalent (JAE)

Interface Cable Pin Assignments

PIN NO	. SYMBOL	FUNCTION
1	VSS	Ground
2	VDD	Power Supply, 3.3 V (typical)
3	VDD	Power Supply, 3.3 V (typical)
4	V EEDID	DDC 3.3V power
5	NC	Reserved for supplier test point
6	Clk EEDID	DDC Clock
7	DATA EEDID	DDC Data
8	Rin0-	- LVDS differential data input (R0-R5, G0) (odd pixels)
9	Rin0+	+ LVDS differential data input (R0-R5, G0) (odd pixels)
10	VSS	Ground
11	Rin1-	- LVDS differential data input (G1-G5, B0-B1) (odd pixels)
12	Rin1+	+ LVDS differential data input (G1-G5, B0-B1) (odd pixels)
13	VSS	Ground
14	Rin2-	- LVDS differential data input (B2-B5, HS, VS, DE) (odd pixels)
15	Rin2+	+ LVDS differential data input (B2-B5, HS, VS, DE) (odd pixels)
16	VSS	Ground
17	ClkIN-	- LVDS differential clock input (odd pixels)
18	ClkIN+	+ LVDS differential clock input (odd pixels)
19	VSS	Ground
20	NC	No connect
21	NC	No connect
22	NC	No connect
23	NC	No connect
24	NC	No connect
25	NC	No connect
26	NC	No connect
27	NC	No connect
28	NC	No connect
29	NC	No connect
30	NC	No connect

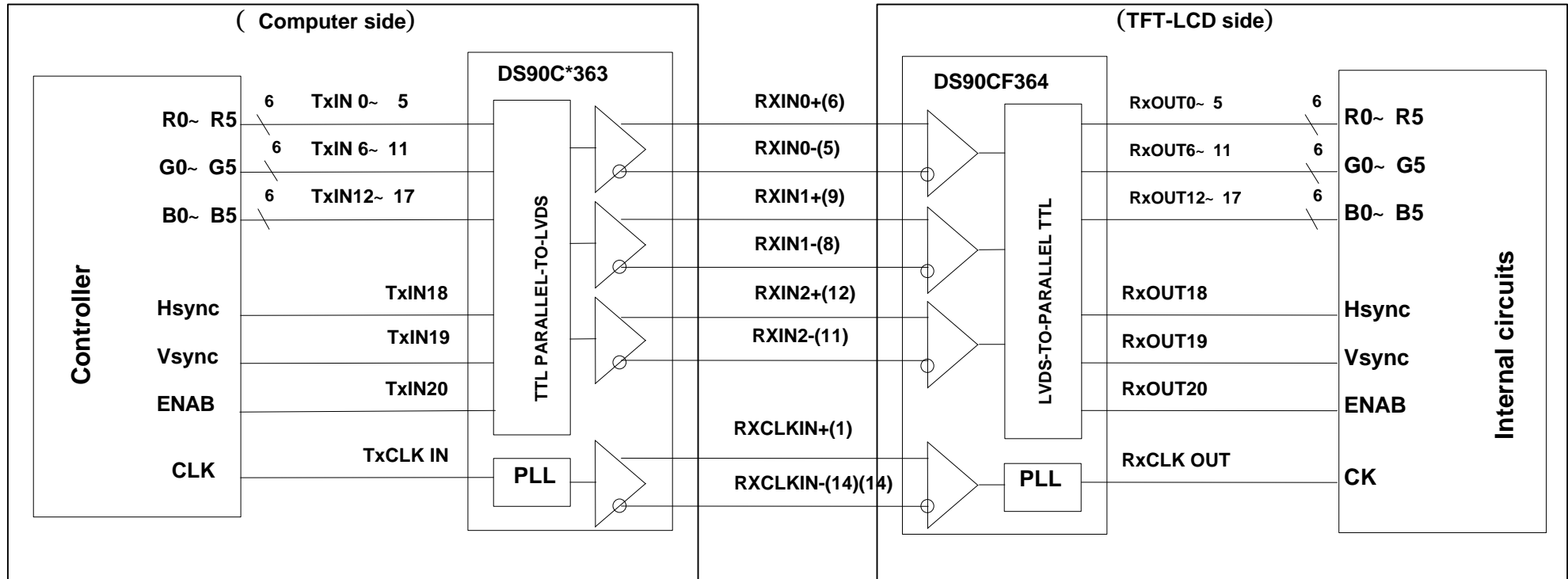
? Note 1? Relation between LVDS signals and actual data shows below section (4-2).

? Note 2? The shielding case is connected with signal GND.

4-2 Interface block diagram

Using receiver: DS90CF364(National semiconductor)

Corresponding Transmitter: DS90C363,DS90C383(National semiconductor)



4-3. Backlight driving
CN2: BHSR-02VS-1(JST)
Mating connector: SM02B-BHSS-1-TB (JST) or 87210-0200

Pin No.	Symbol	Function
1	V _{HIGH}	Power supply for lamp (High voltage side)
2	V _{LOW}	Power supply for lamp (Low voltage side)

5. Absolute Maximum Ratings
5-1 LCD module

Parameter	Symbol	Condition	Ratings	Unit	Remark
Input voltage	V _I	Ta=25?	- 0.3 ~ VDD+0.3	V	? Note1?
+3.3V supply voltage	VDD	Ta=25?	0 ~ + 4	V	
Storage temperature	Tstg	-	- 25 ~ + 60	?	? Note2?
Operating temperature (Ambient)	Topa	-	0 ~ + 50	?	

? Note1? LVDS signals

? Note2? Humidity: 95%RH Max. at Ta? 40? .

Maximum wet-bulb temperature at 39? or less at Ta>40? .

No condensation.

6. Electrical Characteristics
6-1.TFT-LCD panel driving

Ta= 25?

Parameter	Symbol	Min.	Typ.	Max.	Unit	Remark
VDD	Supply voltage	+3.0	+3.3	+3.6	V	? Note2?
	Current dissipation	IDD	-	420	700	mA
Permissible input ripple voltage	V _{RP}	-	-	100	mV p-p	Vcc=+3.3V
Differential input Threshold voltage	High	V _{TH}	-	+100	mV	V _{CM} =+1.2V
	Low	V _{TL}	-100	-	-	mV
Terminal resistor	R _T	-	100	-	Ω	Differential input
Rush current	I _{RUSH}			1.5	A	Rise time 470uS

 ? Note1? V_{CM} : Common mode voltage of LVDS driver.

? Note2?

On-off conditions for supply voltage

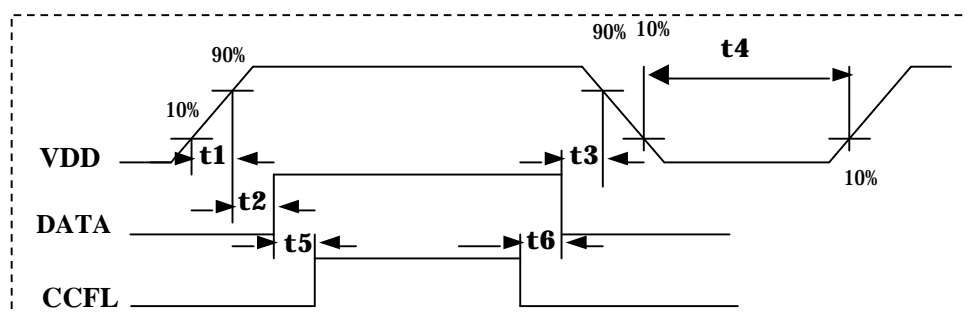
 0.5 < t₁? 10 ms

 0 < t₂? 50 ms

 0 < t₃? 50 ms

 400 ms? t₄

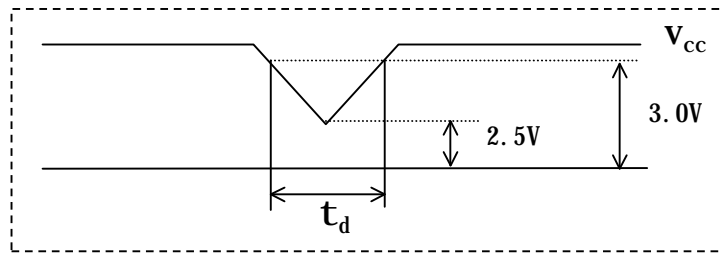
 200 ms? t₅

 200 ms? t₆


Vcc-dip conditions

1) 2.5 V? $V_{cc} < 3.0\text{ V}$
 t_d ? 10 ms

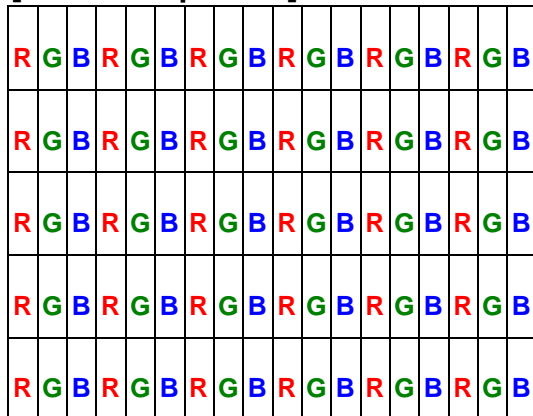
2) $V_{cc} < 2.5\text{ V}$



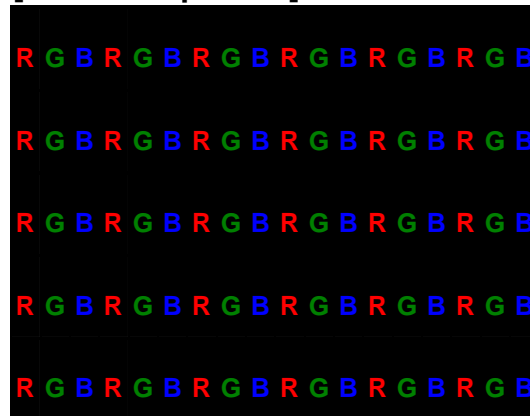
Vcc-dip conditions should also follow the On-off conditions for supply voltage

? Note3? Test pattern of current dissipation

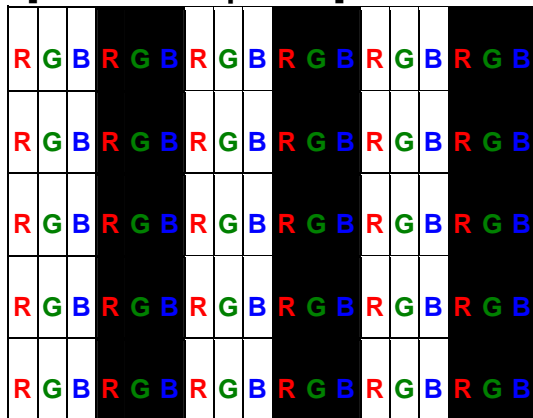
[Full white pattern] VDD=+3.3V



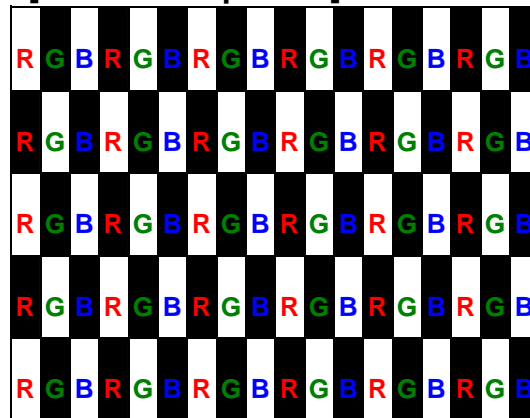
[Full black pattern] VDD=+3.3V



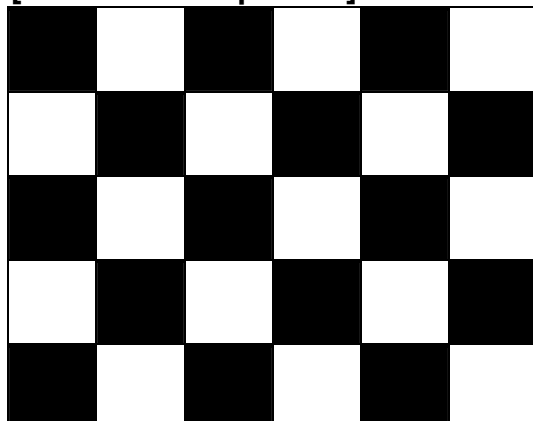
[1 line on/off pattern] VDD=+3.3V



[1 dot on/off pattern] VDD=+3.3V



[32x32 Mosaic pattern] VDD=+3.3V



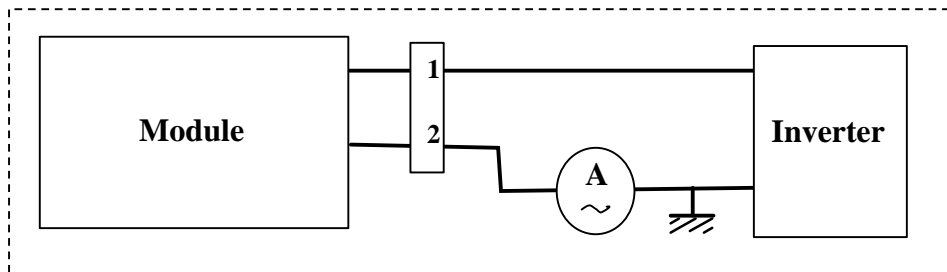
6-2. Backlight driving

The backlight system is an edge-lighting type with single CCFT (Cold Cathode Fluorescent Tube).

The characteristics of the lamp are shown in the following table.

Parameter	Symbol	Min.	Typ.	Max.	Unit	Remark
Lamp current range	I_L	3.0	6.0	6.5	mArms	? Note1?
Lamp voltage	V_L	657	730	803	Vrms	
Lamp power consumption	P_L	-	4.38	-	W	$I_L=6.0mA$? Note2?
Lamp frequency	F_L	54	60	66	kHz	? Note3?
Kick-off voltage	V_s	-	-	1460	Vrms	$T_a=25?$
		-	-	1650	Vrms	$T_a=0?$? Note4?
Lamp life time	L_L	15000	-	-	hour	? Note5?

? Note1? Lamp current is measured with current meter for high frequency as shown below.



? Note2? Calculated Value for reference ($I_L \times V_L$)

? Note3? Lamp frequency may produce interference with horizontal synchronous frequency, and this may cause beat on the display. Therefore lamp frequency shall be detached as much as possible from the horizontal synchronous frequency and from the harmonics of horizontal synchronous to avoid interference.

? Note4? The voltage above this value should be applied to the lamp for more than 1 second to start-up. Otherwise the lamp may not be turned on.

? Note5? Lamp life time is defined as the time when either ? or ? occurs in the continuous operation under the condition of $T_a = 25?$ and $I_L = 6.0$ mArms.

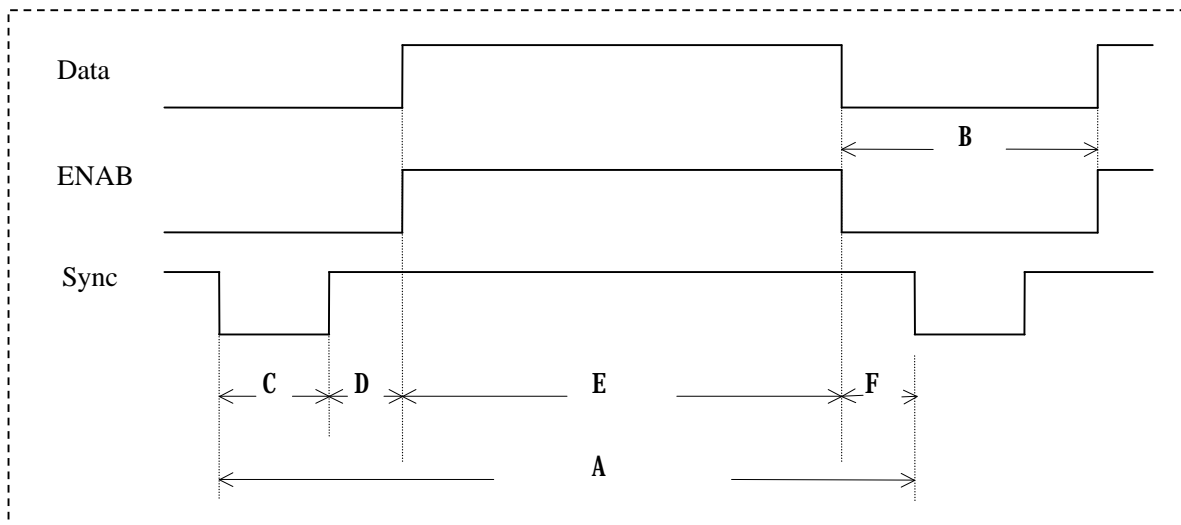
? Brightness becomes 50 % of the original value under standard condition.

? Kick-off voltage at $T_a = 0?$ exceeds maximum value.

(Note) The performance of the backlight, for example life time or brightness, is much influenced by the characteristics of the DC-AC inverter for the lamp. When you design or order the inverter, please make sure that a poor lighting caused by the mismatch of the backlight and the inverter (miss-lighting, flicker, etc.) never occur. When you confirm it, the module should be operated in the same condition as it is installed in your instrument.

7. Timing characteristics of LCD module input signals
7-1. Timing characteristics

(This is specified at digital outputs of LVDS driver.)


(Vertical)

Item(symbol)	Min.	Typ.	Max.	Unit	Remark
Vsync cycle (T_{VA})	-	16.667	-	ms	Negative
	808	816	850	line	
Blanking period(T_{VB})	8	16	-	line	
Sync pulse width (T_{VC})	2	4	-	line	
Back porch (T_{VD})	5	8	-	line	
Sync pulse width + Back porch ($T_{VC}+T_{VD}$)	7	12	-	line	
Active display area (T_{VE})	800	800	800	line	
Front porch (T_{VF})	1	4	-	line	

(Horizontal)

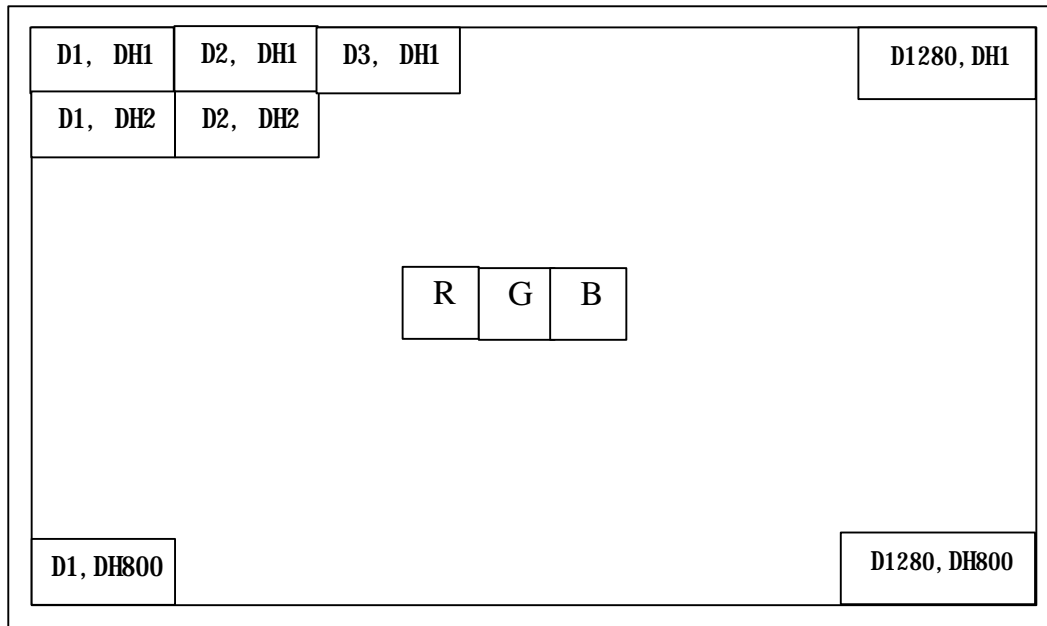
Item(symbol)	Min.	Typ.	Max.	Unit	Remark
Hsync cycle (T_{HA})	-	20.44	-	μ s	Negative
	1380	1408	1428	clock	
Blanking period (T_{HB})	100	128	-	clock	
Sync pulse width (T_{HC})	16	32	-	clock	
Back porch (T_{HD})	68	75	-	clock	
Sync pulse width + Back porch ($T_{HC} + T_{HD}$)	84	107	-	clock	
Active display area (T_{HE})	1280	1280	1280	clock	
Front porch (T_{HF})	16	21	-	clock	

(Clock)

Item	Min.	Typ.	Max.	Unit	Remark
Frequency	67.0	68.9	72.0	MHz	? Note1?

Note) In case of lower frequency, the deterioration of display quality, flicker etc., may be occurred.

7-2. Input Data Signals and Display Position on the screen



8. Input Signals, Basic Display Colors and Gray Scale of Each Color

Colors & Gray scale	Data signal																				
	Gray Scale	R0	R1	R2	R3	R4	R5	G0	G1	G2	G3	G4	G5	B0	B1	B2	B3	B4	B5		
Basic Color	Black	-	0	0	0	0	0	0	0	0	0	0	0	0	0	0	0	0	0	0	
	Blue	-	0	0	0	0	0	0	0	0	0	0	0	0	1	1	1	1	1	1	
	Green	-	0	0	0	0	0	0	1	1	1	1	1	1	0	0	0	0	0	0	
	Cyan	-	0	0	0	0	0	0	1	1	1	1	1	1	1	1	1	1	1	1	
	Red	-	1	1	1	1	1	1	0	0	0	0	0	0	0	0	0	0	0	0	
	Magenta	-	1	1	1	1	1	1	0	0	0	0	0	0	1	1	1	1	1	1	
	Yellow	-	1	1	1	1	1	1	1	1	1	1	1	1	0	0	0	0	0	0	
	White	-	1	1	1	1	1	1	1	1	1	1	1	1	1	1	1	1	1	1	
Gray Scale of Red	Black	GS0	0	0	0	0	0	0	0	0	0	0	0	0	0	0	0	0	0	0	
	Darker	GS1	1	0	0	0	0	0	0	0	0	0	0	0	0	0	0	0	0	0	
		GS2	0	1	0	0	0	0	0	0	0	0	0	0	0	0	0	0	0	0	
	Brighter	GS61	1	0	1	1	1	1	0	0	0	0	0	0	0	0	0	0	0	0	
		GS62	0	1	1	1	1	1	0	0	0	0	0	0	0	0	0	0	0	0	
	Red	GS63	1	1	1	1	1	1	0	0	0	0	0	0	0	0	0	0	0	0	
	Gray Scale of Green	Black	GS0	0	0	0	0	0	0	0	0	0	0	0	0	0	0	0	0	0	0
		Darker	GS1	0	0	0	0	0	0	1	0	0	0	0	0	0	0	0	0	0	0
GS2			0	0	0	0	0	0	0	1	0	0	0	0	0	0	0	0	0	0	
Brighter		GS61	0	0	0	0	0	0	1	0	1	1	1	1	0	0	0	0	0	0	
		GS62	0	0	0	0	0	0	0	1	1	1	1	1	0	0	0	0	0	0	
Green		GS63	0	0	0	0	0	0	1	1	1	1	1	1	0	0	0	0	0	0	
Gray Scale of Blue		Black	GS0	0	0	0	0	0	0	0	0	0	0	0	0	0	0	0	0	0	0
		Darker	GS1	0	0	0	0	0	0	0	0	0	0	0	0	1	0	0	0	0	0
	GS2		0	0	0	0	0	0	0	0	0	0	0	0	0	1	0	0	0	0	
	Brighter	GS61	0	0	0	0	0	0	0	0	0	0	0	0	1	0	1	1	1	1	
		GS62	0	0	0	0	0	0	0	0	0	0	0	0	0	1	1	1	1	1	
	Blue	GS63	0	0	0	0	0	0	0	0	0	0	0	0	1	1	1	1	1	1	

0 : Low level voltage, 1 : High level voltage

Each basic color can be displayed in 64 gray scales from 6 bit data signals. According to the combination of total 18 bit data signals, the 262,144-color display can be achieved on the screen.

9. EDID data structure

This is the EDID (Extended Display Identification Data) data format to support displays as defined in the VESA Plug & Display.

Byte (decimal)	Byte (hex)	Field Name and Comments	Value (hex)	Value (binary)
Header				
0	0	Header	00	00000000
1	1	Header	FF	11111111
2	2	Header	FF	11111111
3	3	Header	FF	11111111
4	4	Header	FF	11111111
5	5	Header	FF	11111111
6	6	Header	FF	11111111
7	7	Header	00	00000000
Vender/Product ID / EDID Version				
8	8	EISA manufacturer code=QDS	44	01000100
9	9	EISA manufacturer code(Compressed ASCII)	93	10010011
10	0A	Product code (38) LSB	26	00100110
11	0B	Product code MSB	00	00000000
12	0C	ID (32bit) Serial No (zero if not used)	00	00000000
13	0D	ID (32bit) Serial No (zero if not used)	00	00000000
14	0E	ID (32bit) Serial No (zero if not used)	00	00000000
15	0F	ID (32bit) Serial No (zero if not used)	00	00000000
16	10	Week of manufacture	00	00000000
17	11	Year of manufacture – 1990 (ex. 2005-1990=15)	0F	00001111
18	12	EDID structure version # = 1	01	00000001
19	13	EDID revision # = 3	03	00000011
Display Parameter				
20	14	Video I/P definition = Digital I/P	80	10000000
21	15	Max H image size (cm) =33cm	21	00100001
22	16	Max V image size (cm) =21cm	15	00010101
23	17	Display gamma (2.2x100) –100	78	01111000
24	18	Features (no DPMS,Active off,RGB,timing BLK1)	0A	00001010
Panel Color Coordinates				
25	19	Red/Green Low bits (RxRy/GxGy)	4D	01001101
26	1A	Blue/White Low bits (BxBy/WxWy)	C0	11000000
27	1B	Red X Rx=0.576	93	10010011
28	1C	Red Y Ry=0.360	5C	01011100
29	1D	Green X Gx=0.320	51	01010001

30	1E	Green Y Gy=0.533	88	10001000
31	1F	Blue X Bx=0.156	27	00100111
32	20	Blue Y By=0.129	21	00100001
33	21	White X Wx=0.313	50	01010000
34	22	White Y Wy=0.329	54	01010100
Established Timings				
35	23	Established timings 1 (00h if not used)	00	00000000
36	24	Established timings 2 (00h if not used)	00	00000000
Standard Timing ID				
37	25	Manufacturer's timings(00h if not used)	00	00000000
38	26	Standard timing ID1 (01h if not used)	01	00000001
39	27	Standard timing ID1 (01h if not used)	01	00000001
40	28	Standard timing ID2 (01h if not used)	01	00000001
41	29	Standard timing ID2 (01h if not used)	01	00000001
42	2A	Standard timing ID3 (01h if not used)	01	00000001
43	2B	Standard timing ID3 (01h if not used)	01	00000001
44	2C	Standard timing ID4 (01h if not used)	01	00000001
45	2D	Standard timing ID4 (01h if not used)	01	00000001
46	2E	Standard timing ID5 (01h if not used)	01	00000001
47	2F	Standard timing ID5 (01h if not used)	01	00000001
48	30	Standard timing ID6 (01h if not used)	01	00000001
49	31	Standard timing ID6 (01h if not used)	01	00000001
50	32	Standard timing ID7 (01h if not used)	01	00000001
51	33	Standard timing ID7 (01h if not used)	01	00000001
52	34	Standard timing ID8 (01h if not used)	01	00000001
53	35	Standard timing ID8 (01h if not used)	01	00000001
Timing Descriptor #1				
54	36	Pixel Clock(68.9M)/10,000 (LSB)	EA	11101010
55	37	Pixel Clock(68.9M)/10,000 (MSB)	1A	00011010
56	38	Horizontal Active=1280 pixels (lower 8 bits)	00	00000000
57	39	Horizontal Blanking=128 pixels (lower 8bits)	80	10000000
58	3A	Horizontal Active: Horizontal Blanking (upper 4:4 bits)	50	01010000
59	3B	Vertical Active =800 lines (lower 8bits)	20	00100000
60	3C	Vertical Blanking=16 lines (lower 8bits)	10	00010000
61	3D	Vertical Active : Vertical Banking (upper 4:4 bits)	30	00110000
62	3E	Horizontal Sync.Offset =21 pixels	15	00010101
63	3F	Horizontal Sync.Width=32 pixels	20	00100000
64	40	Vertical Sync. Offset: lines Sync. Width	44	01000100
65	41	Horizontal/Vertical Sync Offset/Width upper 2 bits	00	00000000

66	42	Horizontal Image Size=331.2mm (lower 8 bits)	4B	01001011
67	43	Vertical Image Size=207mm (lower 8 bits)	CF	11001111
68	44	Horizontal : Vertical Image Size (upper 4:4 bits)	10	00010000
69	45	Horizontal Border (zero for internal LCD)	00	00000000
70	46	Vertical Border (zero for internal LCD)	00	00000000
71	47	Non-interlaced,Normal,no stereo,Separate sync,H/V pol negatives	18	00011000
Timing Descriptor #2 MANUFACTURER SPECIFIED RANGE TIMING Descriptor				
72	48	Flag	00	00000000
73	49	Flag	00	00000000
74	4A	Flag	00	00000000
75	4B	Data Type Tag: Descriptor Defined by Manufacturer	0F	00001111
76	4C	Flag	00	00000000
77	4D	Value=HSPW min/2 (pixel clks)	08	00001000
78	4E	Value=HSPW max/2 (pixel clks)	00	00000000
79	4F	Value=Thbp min/2 (pixel clks)	2A	00101010
80	50	Value=Thbp max/2 (pixel clks)	00	00000000
81	51	Value=VSPW min/2 (line pulses)	01	00000001
82	52	Value=VSPW max/2 (line pulses)	00	00000000
83	53	Value=Tvbp min/2 (line pulses)	04	00000100
84	54	Value=Tvbp max/2 (line pulses)	00	00000000
85	55	Thp min=value*2+HA pixel clks (pixel clks)	32	00110010
86	56	Thp max=value*2+HA pixel clks (pixel clks)	4A	01001010
87	57	Tvp min=value*2+VA lines	04	00000100
88	58	Tvp max=value*2+VA lines	14	00010100
89	59	Module revision	01	00000001
Timing Descriptor #3 : ASCII String : Supplier Name				
90	5A	Flag	00	00000000
91	5B	Flag	00	00000000
92	5C	Flag	00	00000000
93	5D	Data Type Tag : Module serial number	FE	11111110
94	5E	Flag	00	00000000
95	5F	ASCII (Q)	51	01010001
96	60	ASCII (U)	55	01010101
97	61	ASCII (A)	41	01000001
98	62	ASCII (N)	4E	01001110
99	63	ASCII (T)	54	01010100
100	64	ASCII (A)	41	01000001
101	65	ASCII (D)	44	01000100
102	66	ASCII (I)	49	01001001

103	67	ASCII (S)	53	01010011
104	68	ASCII (P)	50	01010000
105	69	ASCII (L)	4C	01001100
106	6A	ASCII (A)	41	01000001
107	6B	ASCII (Y)	59	01011001
Timing Descriptor #4 ASCII String : Supplier P/N				
108	6C	Flag	00	00000000
109	6D	Flag	00	00000000
110	6E	Flag	00	00000000
111	6F	Data Type Tag : Module Name	FE	11111110
112	70	Flag	00	00000000
113	71	Q	51	01010001
114	72	D	44	01000100
115	73	1	31	00110001
116	74	5	35	00110101
117	75	T	54	01010100
118	76	L	4C	01001100
119	77	0	30	00110000
120	78	2	32	00110010
121	79	Product revision Rev. 3	33	00110011
122	7A	Terminate with ASCII code 0Ah	0A	00001010
123	7B	Pad field with ASCII code 20h	20	00100000
124	7C	Pad field with ASCII code 20h	20	00100000
125	7D	Pad field with ASCII code 20h	20	00100000
126	7E	Extension flag	00	00000000
127	7F	Checksum	AD	10101101

10.Optical Characteristics

Ta=25? , Vcc=+3.3V

Parameter		Symbol	Condition	Min.	Typ.	Max.	Unit	Remark
Viewing Angle Range	Horizontal	R , L	CR>10	-	45	-	Deg.	? Note1,4?
	Vertical	Up		-	15	-	Deg.	
		Dn		-	35	-	Deg.	
Contrast ratio		C R n	? =0°	300	400	-		? Note2,4?
Response Time	Rise	Tr	? =0°	-	5	-	ms	? Note3,4?
	Decay	Td		-	20	-	ms	
Chromaticity of White		Wx Wy		0.283 0.299	0.313 0.329	0.343 0.359		? Note4?
Chromaticity of Red		Rx Ry		0.546 0.330	0.576 0.360	0.606 0.390		
Chromaticity of Green		Gx Gy		0.290 0.503	0.320 0.533	0.350 0.563		
Chromaticity of Blue		Bx By		0.126 0.099	0.156 0.129	0.186 0.159		
Luminance of white ? Note5?		Y L 2	5 points Avg.	130	160	-	Cd/m ²	IL = 6.0 mArms FL=55kHz
White Uniformity		d W	5 Points	-	-	1.4		? Note5?

The optical characteristics shall be measured in a dark room or equivalent state with the method shown in Fig.3.

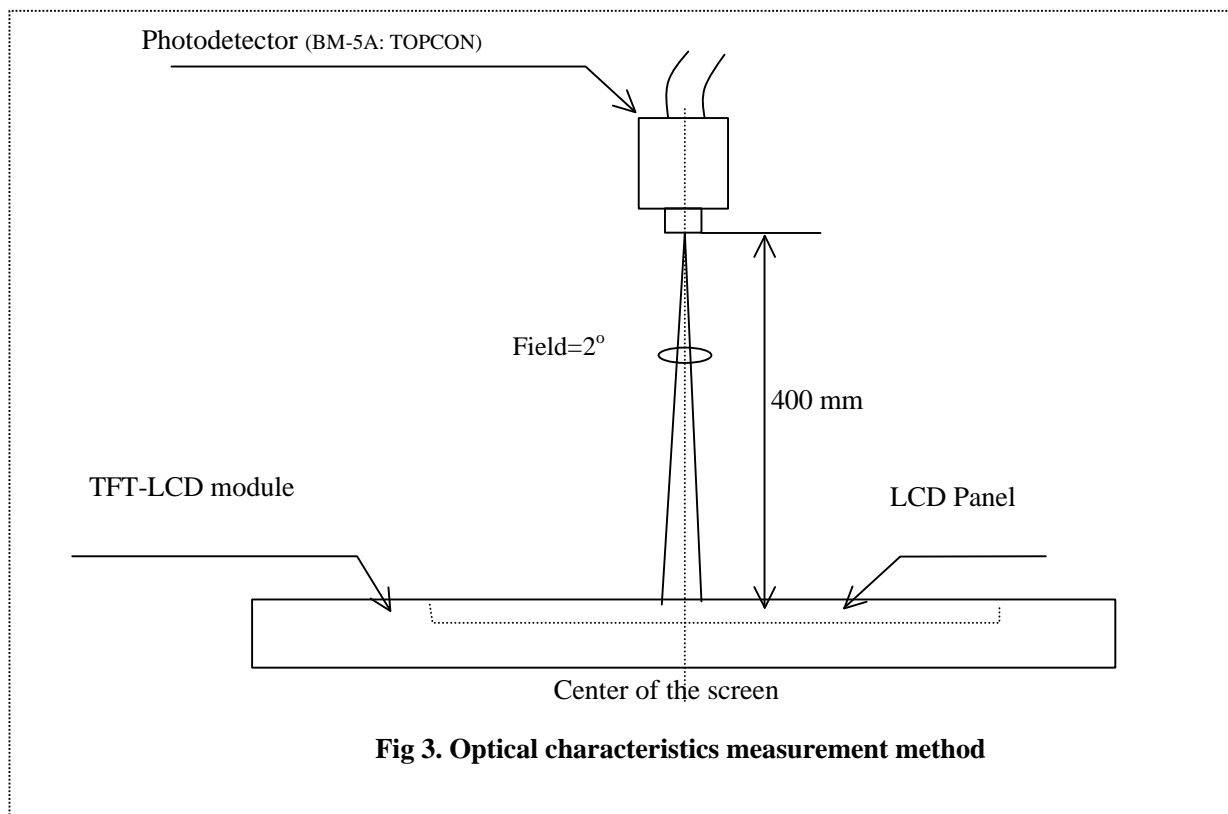
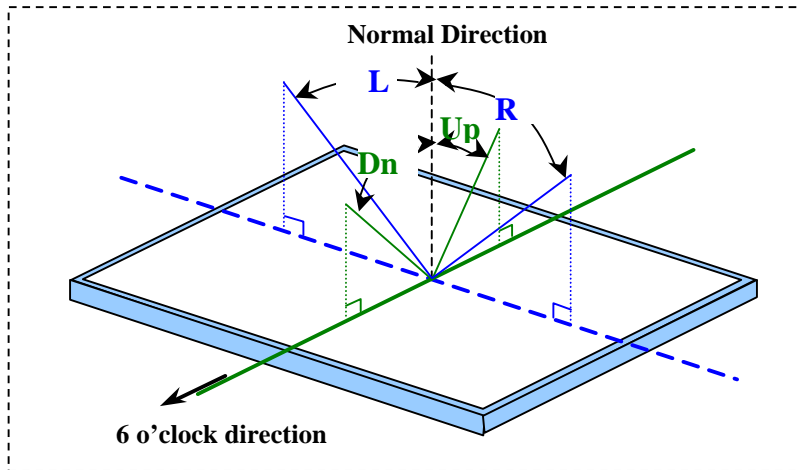


Fig 3. Optical characteristics measurement method

? Note1? Definitions of viewing angle range:



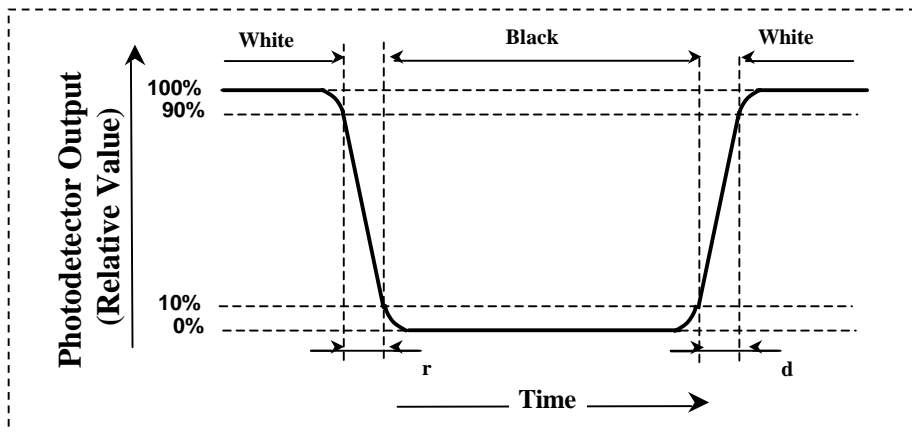
? Note2? Definition of contrast ratio:

The contrast ratio is defined as the following.

$$\text{Contrast Ratio (CR)} = \frac{\text{Luminance (brightness) with all pixels white}}{\text{Luminance (brightness) with all pixels black}}$$

? Note3? Definition of response time:

The response time is defined as the following figure and shall be measured by switching the input signal for "black" and "white" .

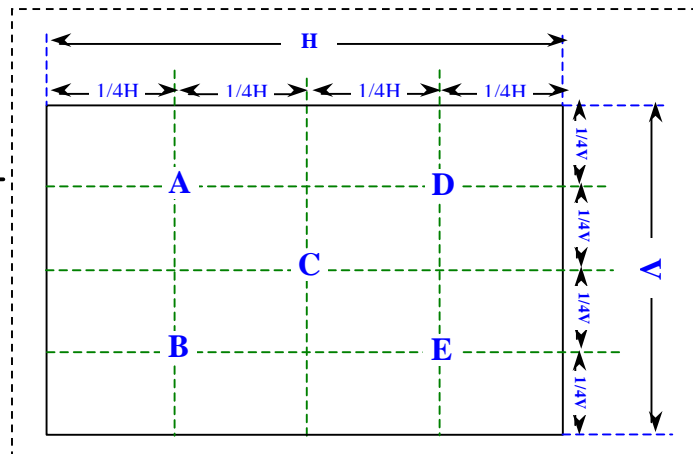


? Note4? This shall be measured at center of the screen.

? Note5? Definition of white uniformity:

$$dw = \frac{\text{Maximum Luminance of 5 points}}{\text{Minimum Luminance of 5 points}}$$

*1) 5 Points are A,B,C,D,E



11. Display Quality

The display quality of the color TFT-LCD module shall be in compliance with the Incoming Inspection Standard.

12. Handling Precautions

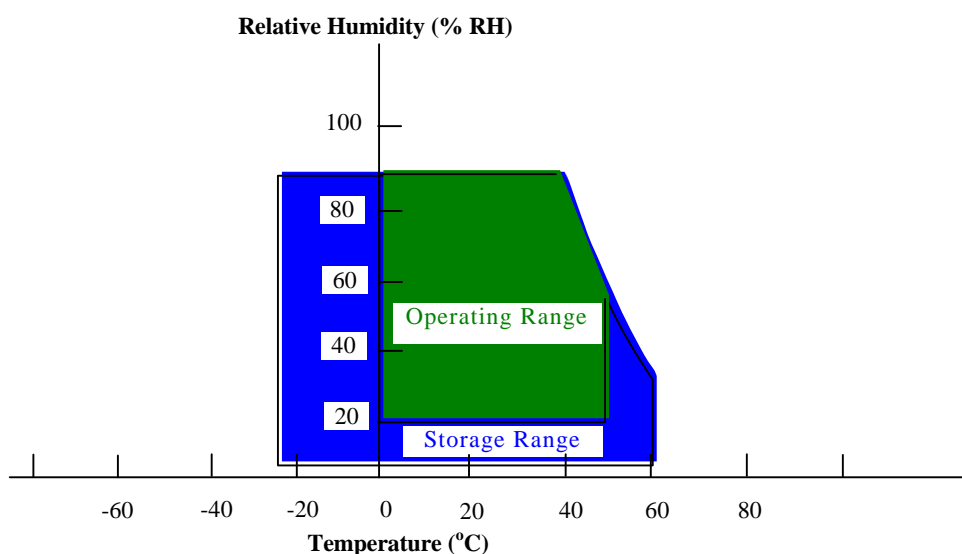
- a) Be sure to turn off the power supply when inserting or disconnecting the cable.
- b) Be sure to design the cabinet so that the module can be installed without any extra stress such as warp or twist.
- c) Since the front polarizer is easily damaged, pay attention not to scratch it.
- d) Wipe off water drop immediately. Long contact with water may cause discoloration or spots.
- e) When the panel surface is soiled, wipe it with absorbent cotton or other soft cloth.
- f) Since the panel is made of glass, it may break or crack if dropped or bumped on hard surface. Handle with care.
- g) Since CMOS LSI is used in this module, take care of static electricity and injure the human earth when handling.
- h) Observe all other precautionary requirements in handling components.
- i) This module has its circuitry PCBs on the rear side and should be handled carefully in order not to be stressed.
- j) Laminated film is attached to the module surface to prevent it from being scratched. Peel the film off slowly just before the use with strict attention to electrostatic charges. Ionized air shall be blown over during the action. Blow off the 'dust' on the polarizer by using an ionized nitrogen gun, etc..
- K) Mounting screw hole can stand torque 1.3~1.5 Kgf-cm.

13. Reliability test items

No.	Test item	Conditions
1	High temperature storage test	Ta = 60? 240h
2	Low temperature storage test	Ta = -25? 240h
3	High temperature & High humidity operation test	Ta = 40? ; 90 %RH 240h ; (As remark #3) (No condensation)
4	High temperature operation test	Ta = 50? 240h (The panel temp. must be less than 60?)
5	Low temperature operation test	Ta = 0? 240h
6	Vibration test (non- operating)	Frequency: 10~ 500Hz, 1.5G, Test period : 3 hours (1 hour for each direction of X,Y,Z)
7	Shock test (Non- operating)	Max. Gravity: 220G Pulse width: 2 ms, Half sine wave Direction : ± X,± Y,± Z Once for each direction.

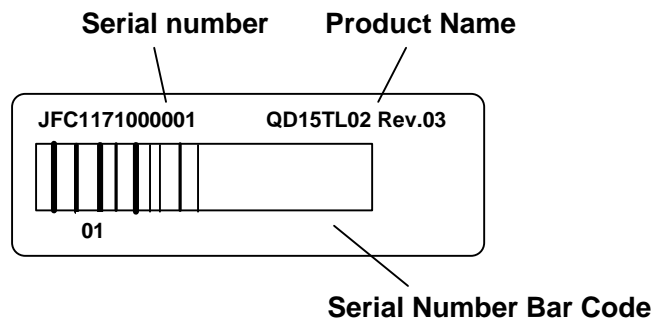
Remark:

- (1) A failure is defined as the appearance of pixel failed on any color layer or the appearance of horizontal or vertical lines, bars etc.
- (2) Low temperature storage “ Panel must return to operating temperature range prior to activation.”
- (3) Hi temperature / Humidity test
Max. wet-bulb temperature is less than 39°C ; At glass temperature high than 40 °C.
Temperature and relative humidity range is shown in the figure below.



14. Others

1) Lot No. Label:

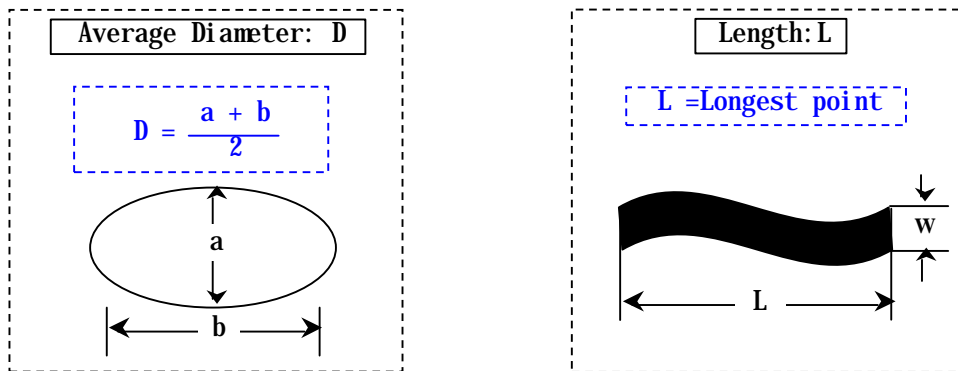


- 2) Adjusting volume has been set optimally before shipment, so do not change any adjusted value. If adjusted value is changed, the specification may not be satisfied.
- 3) Disassembling the module can cause permanent damage and should be strictly avoided.
- 4) Please be careful since image retention may occur when a fixed pattern is displayed for a long time.
- 5) If any problem occurs in relation to the description of this specification, it shall be resolved through discussion with spirit of cooperation.

15. Incoming Inspection Standard

1) External inspection

Inspection item	Criteria	Accepted count (N)
Black spot, White spot, Foreign circular Material Dent & bubble	D > 0.35mm	Disallow
	D ≥ 0.15mm	N 3
	D < 0.15mm	Don't care
Minimum distance between defects: 10mm		
Scratches, lint L: length; W: width (mm)	L > 2.0	Disallow
	0.01 < W < 0.05 L 2.0	N ? 2



*1) The external visual inspection: The inspection shall be conducted by using a single 20W fluorescent lamp for illumination and the distance between the MODULE and the eyes of the inspector shall be 35 cm or more.

*2) The area for external inspection is active area plus 1.0mm width. (Upper, Lower, Left and Right)

2) Dot defect

(1) Inspection Conditions [Visual inspection]

- Viewing distance : 35cm
- Ambient illumination : 300 to 700Lux (Standard 500Lux)
- Ambient temperature : 20-25 ?
- Light source condition : Based on the specification

Note): Viewing angle : The surface of the MODULE and the eyes of the inspector shall be 90 degrees.

(2) Definition

a) Bright dot

The sub-pixel can be seen when using the 5% ND-Filter

b) Scratches on the color filter (Bright dot count)

- Count: defect area > 1/4 dot
- No count: defect area < 1/4 dot

(3) Bright dots (Acceptable)

Green/Red/Blue dots: When the MODULE lights, dots appear bright in display at black picture position.(V0)

Check pattern	Total Quantity
Black picture Position	? 2

*1) 2 Adjacent 1 pair max.

*2) Defect distance more than 15mm

(4) Black dots (Acceptable)

Black dots : When the MODULE lights, dots appear black in display at Green+Blue+Red picture position.

Check pattern	Total
Green+Blue+Red Picture position	Three picture position total ? 5

*1) 2 Adjacent 2 pair Max.

*2) Defect distance more than 5mm.

*3) Three joined bright/black dots must be nil.

(5) Total dot defect (Black & Bright)

Total dot defects: It is possible if accept count is the counts of Bright and Dark dots.

Check pattern	Total Quantity
	? 5

3) Display non-uniformity

There should be no distinct non-uniformity visible through 5 % (NDF) transparency of filter.

Viewing distance : 35cm

Ambient illumination : 300 to 700 Lux(standard 500 Lux)

Ambient temperature : 20-25?

Light source condition : Based on the specification.

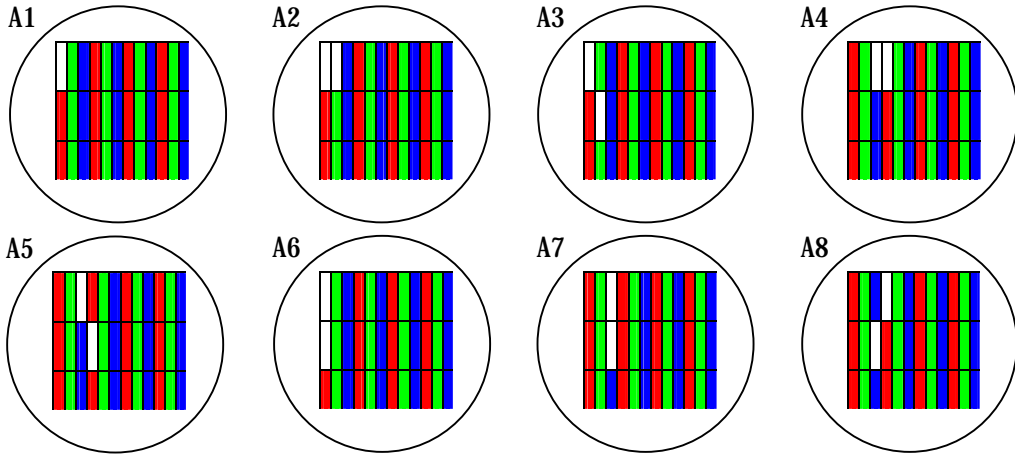
Note): Viewing angle : The surface of the Module and the eyes of the inspector shall be 90 degrees.

4) Others

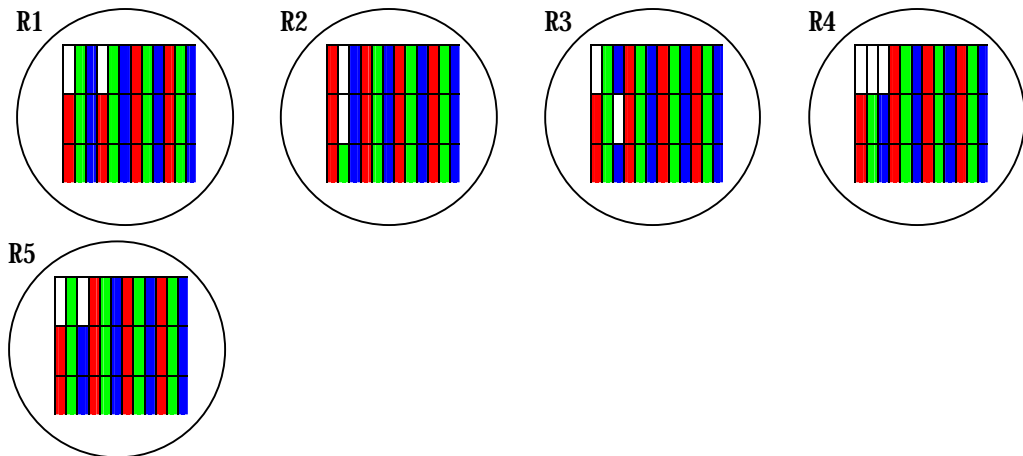
If some problems arise about mentioned items in this document and other items, the user of the TFT-LCD module and QDI will cooperate and make efforts to solve the problems with mutual respect and good will.

Bright dot defect standard reference

Accept Sample

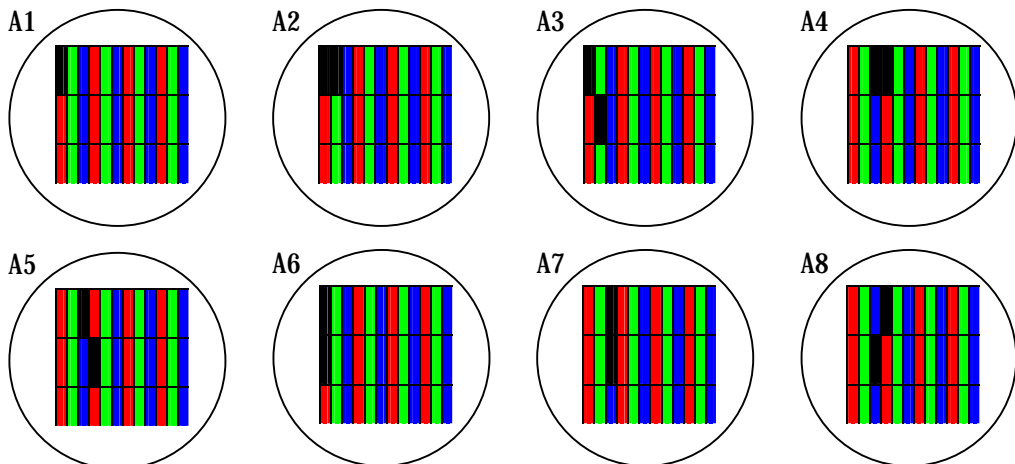


Reject Sample



Dark dot defect standard reference

Accept Sample



Reject Sample

