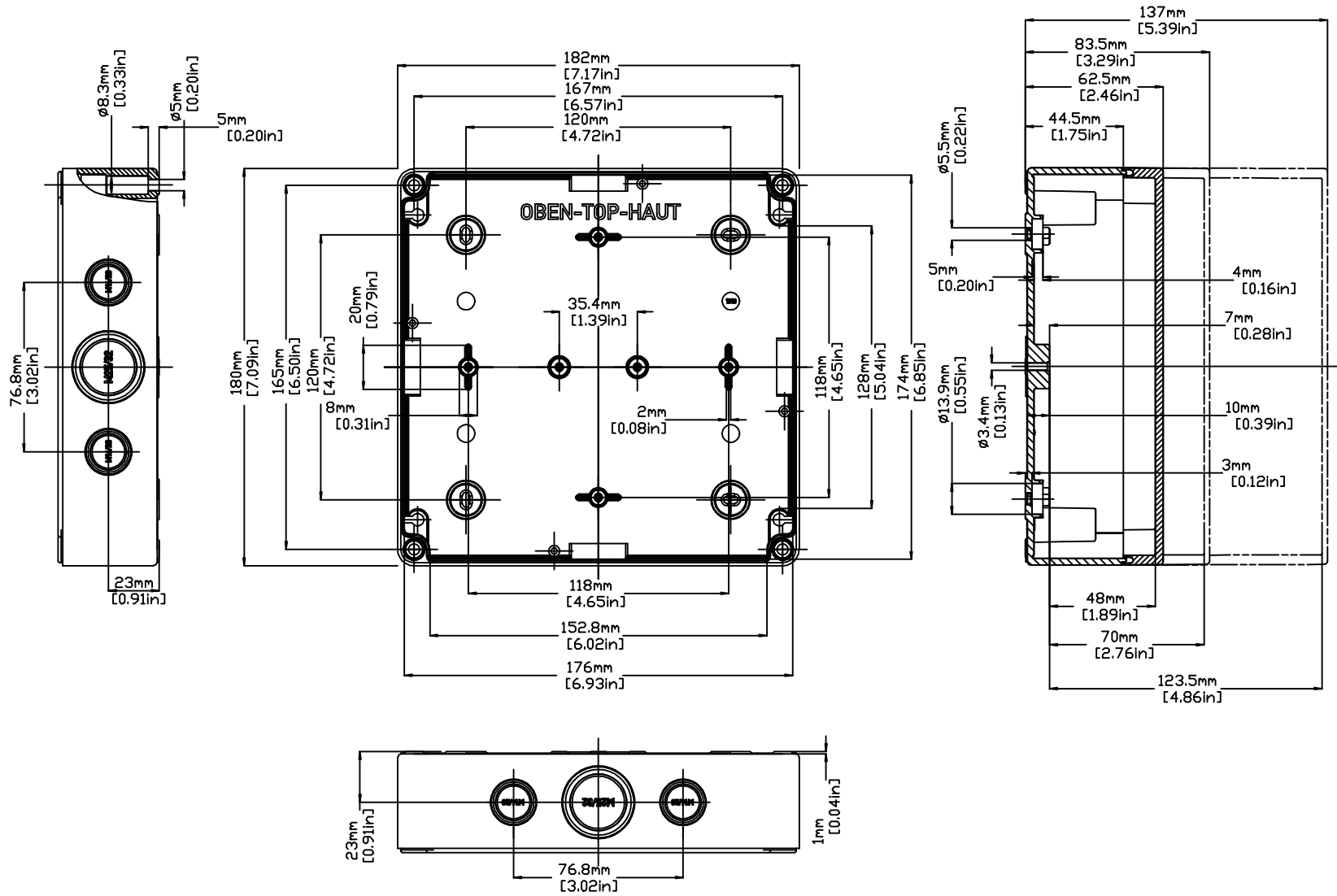



REVISIONS FOR DWG # 3EN-3IS-TK-TK1818f

REV	CH.NO.	DESCRIPTION	DATE	REVISED BY
-	-	ORIGINAL DESIGN	08/01/11	ROLAND G



UNLESS OTHERWISE SPECIFIED
 • ALL DIMENSIONS ARE IN MILLIMETERS
 • THIRD ANGLE PROJECTION 
 • TOLERANCE
 XX mm \pm XX mm
 XX.X mm \pm XX mm
 XX.XX mm \pm XX mm
 ALL \pm XX mm

This Drawing is the property of

 35 Royal Road
 Flemington NJ 08822-6000
 (908) 806-9400 • Fax (908) 806-9490

AND IS A CONFIDENTIAL DISCLOSURE
 LENT WITHOUT CONSIDERATION OTHER
 THAN THE BORROWER'S AGREEMENT
 THAT IT SHALL NOT BE REPRODUCED,
 COPIED, LENT, OR DISPOSED OF
 DIRECTLY OR INDIRECTLY NOR USED
 FOR ANY PURPOSE OTHER THAN THAT
 FOR WHICH IT IS SPECIFICALLY
 FURNISHED.

TITLE: POLYSTYRENE/ POLYCARBONATE ENCLOSURE TK 1818f		DRAWING NO.: 3EN-3IS-TK-TK1818f	REV.: -
DRAWN BY: ROLAND GYORGYPAL	08/01/2011	SCALE: -	SHEET: 1 OF: 1
CHECKED BY: JEFF ROYE	08/01/2011		
RELEASED BY: LASZLO G.	08/01/2011		