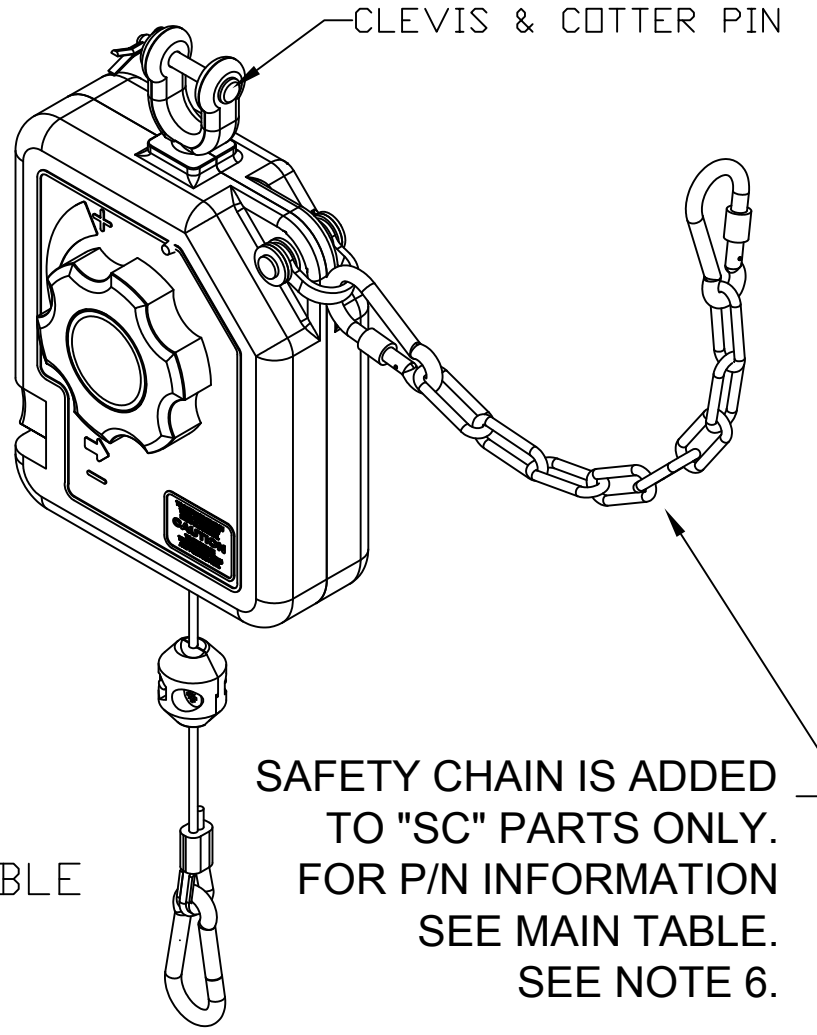
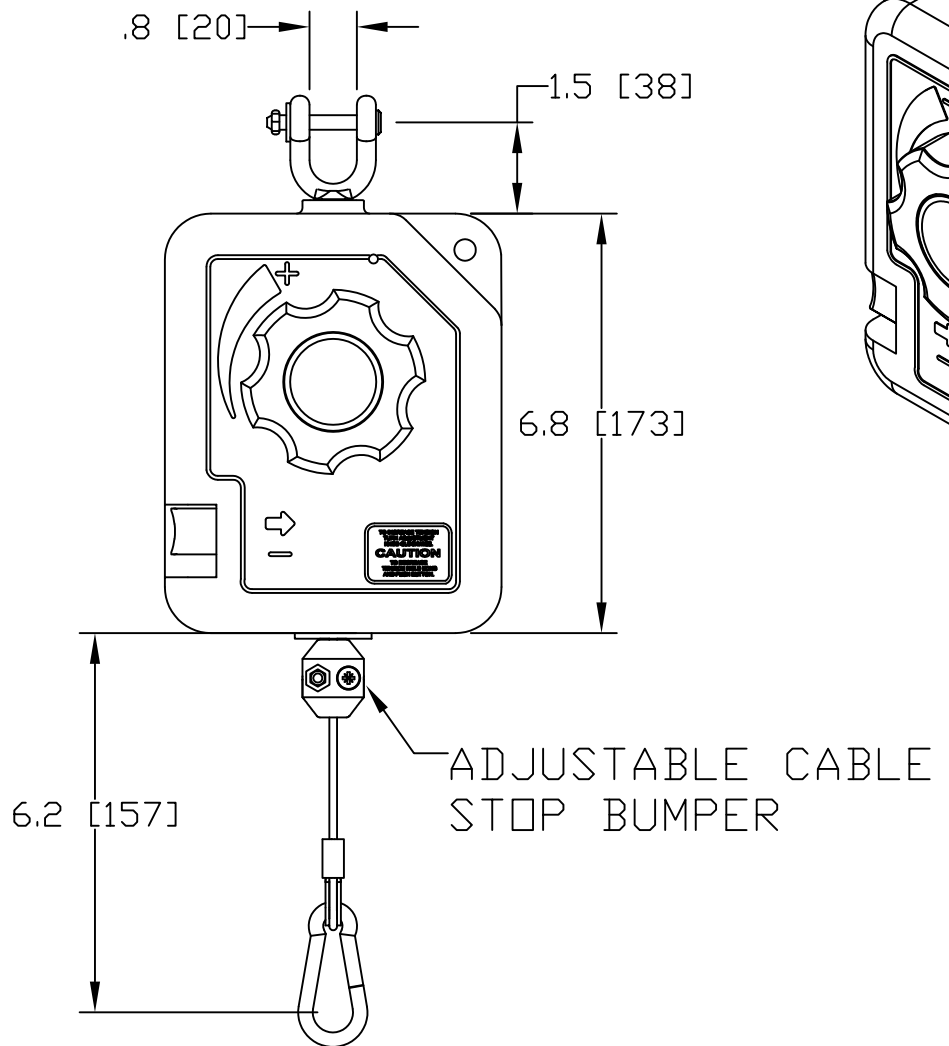
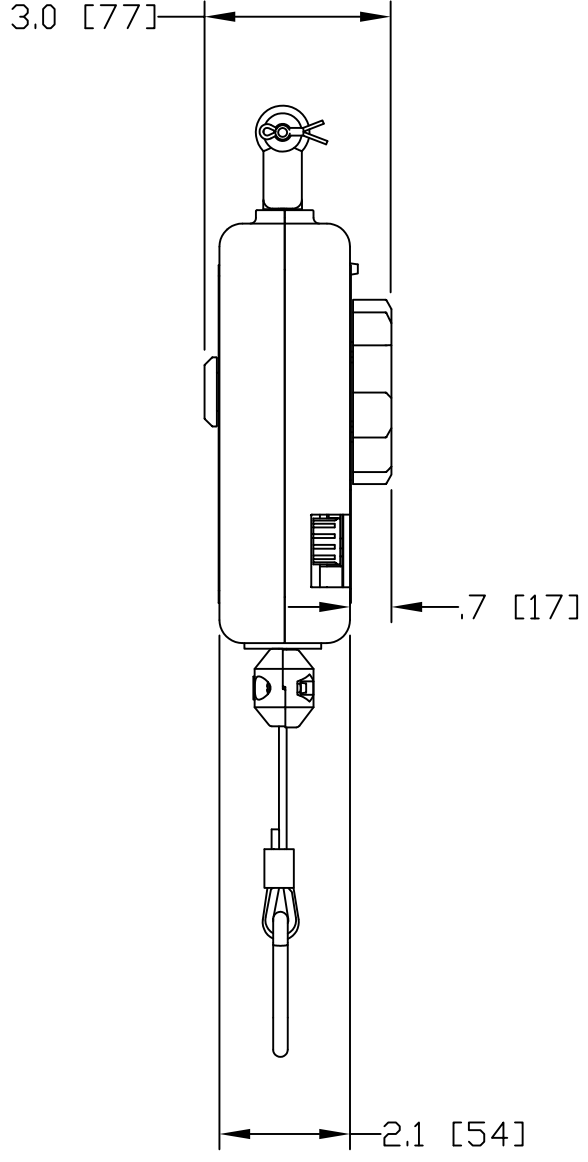
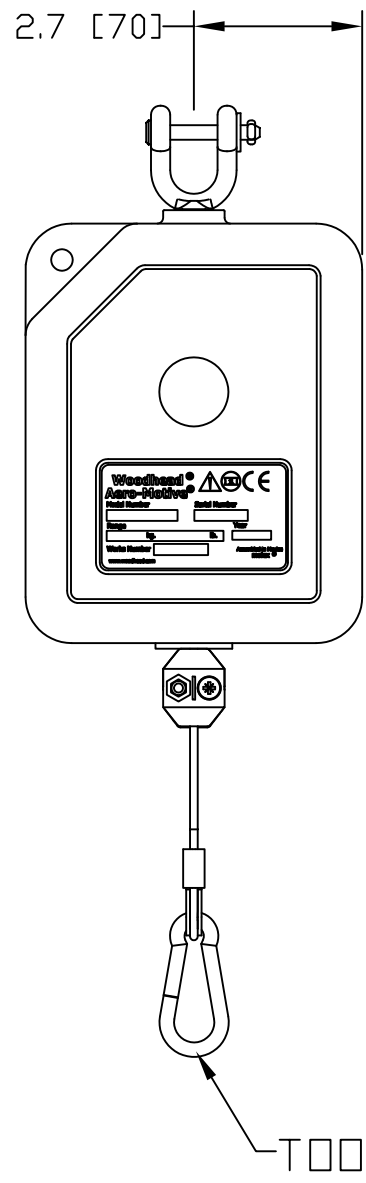


10 9 8 7 6 5 4 3 2 1

F
E
D
C
B
A



- NOTES:
1. RETRACTORS ARE 100% INSPECTED & PRE-TENSIONED AT FACTORY.
 2. HOUSINGS ARE MADE OF GENERAL PURPOSE ABS TO MEET HARSH INDUSTRIAL ENVIRONMENTS.
 3. ALWAYS READ INSTRUCTIONS MANUAL BEFORE USING RETRACTORS.
 4. RETRACTORS ARE NOT TO BE USED AS BALANCERS THEIR MAIN PURPOSE BEING TO RETRACT A LOAD AND NOT TO BALANCE ONE.
 5. OVERALL DIMENSIONS ARE FOR REFERENCE ONLY.
 6. STANDARD CATALOG RETRACTORS ARE NOT EQUIPED WITH SAFETY CHAIN, BUT IF APPLICATION REQUIRES A SAFETY CHAIN ADD "SC" SUFFIX TO STANDARD BALANCER P/N. EXAMPLE RF6SC. ON MAIN MATERIAL NUMBERS TABLE.
 7. RETRACTORS COME WITH A CLEVIS PIN & A COTTER PIN

RELEASE TO GSM EC NO: WNA2010-0605 DRWN: RHOTCA 2010/03/30 CHKD: DT APPR: DTITUS 2010/04/01 DESCRIPTION	QUALITY SYMBOLS	GENERAL TOLERANCES (UNLESS SPECIFIED)		DIMENSION STYLE IN/MM		SCALE NTS	DESIGN UNITS INCH	THIRD ANGLE PROJECTION	
	▽=0 ▽=0	4 PLACES	mm	INCH	DRAWN BY	DATE	TITLE RF" SERIES OF RETRACTORS ----		
		3 PLACES	±-	±-	RHOTCA	2010/03/30			
		2 PLACES	±-	±-	DT	2010/03/30			
1 PLACE	±-	±-	APPROVED BY		DATE	MOLEX INCORPORATED DOCUMENT NO. SD-130173-002 SHEET NO. 1 OF 2			
ANGULAR ±1°		DRAFT WHERE APPLICABLE MUST REMAIN WITHIN DIMENSIONS		SEE TABLE					
REV	SIZE B	THIS DRAWING CONTAINS INFORMATION THAT IS PROPRIETARY TO MOLEX INCORPORATED AND SHOULD NOT BE USED WITHOUT WRITTEN PERMISSION							

10 9 8 7 6 5 4 3 2 1

Material Number:	Engineering Number:	Description:	Weight Range in (KG):	Cable Travel in (M):	Weight Range in (LB):	Cable Travel in (FT):	Color:
1301730055	RF6	RF6 RETRACTOR[4-6LB/1.8-2.7KG], 6.6FT	1.8 - 2.7	2.0	4.0 - 6.0	6.6	PUTTY
1301730061	RF8	RF8 RETRACTOR[6-8LB/2.7-3.6KG], 6.6FT	2.7 - 3.6	2.0	6.0 - 8.0	6.6	PUTTY
1301730069	RFL6	RF6 [4-6LB/1.8-2.7KG] W/RATCHET LOCK	1.8 - 2.7	2.0	4.0 - 6.0	6.6	PUTTY
1301730074	RFL8	RF8 [6-8LB/2.7-3.6KG] W/RATCHET LOCK	2.7 - 3.6	2.0	6.0 - 8.0	6.6	PUTTY
1301730057	RF6SC	RF6 [4-6LB/1.8-2.7KG] W/SAFETY CHAIN	1.8 - 2.7	2.0	4.0 - 6.0	6.6	PUTTY
1301730065	RF8SC	RF8 [6-8LB/2.7-3.6KG] W/SAFETY CHAIN	2.7 - 3.6	2.0	6.0 - 8.0	6.6	PUTTY
1301730071	RFL6SC	RFL6 [4-6LB/1.8-2.7KG] W/SAFETY CHAIN	1.8 - 2.7	2.0	4.0 - 6.0	6.6	PUTTY
1301730086	RFL8SC	RFL8 [6-8LB/2.7-3.6KG] W/SAFETY CHAIN	2.7 - 3.6	2.0	6.0 - 8.0	6.6	PUTTY



RELEASE TO GSM EC NO: WNA2010-0605 DRWN: RHOTCA 2010/03/30 CHKD: DT APPR: DITUS 2010/04/01	DESCRIPTION REV	QUALITY SYMBOLS ▽=0 ▽C=0	GENERAL TOLERANCES (UNLESS SPECIFIED)		DIMENSION STYLE IN/MM		SCALE NTS	DESIGN UNITS INCH	THIRD ANGLE PROJECTION			
				mm	INCH	DRAWN BY	DATE	RF" SERIES OF RETRACTORS ---- MOLEX INCORPORATED				
				4 PLACES	±-	±-	RHOTCA					
				3 PLACES	±-	±-	CHECKED BY	DATE	MOLEX INCORPORATED MATERIAL NO. SEE TABLE DOCUMENT NO. SD-130173-002 SHEET NO. 2 OF 2			
		2 PLACES	±-	±-	DT	2010/03/30						
		1 PLACE	±-	±-	APPROVED BY	DATE	THIS DRAWING CONTAINS INFORMATION THAT IS PROPRIETARY TO MOLEX INCORPORATED AND SHOULD NOT BE USED WITHOUT WRITTEN PERMISSION					
		ANGULAR ±1°		DTITUS	2010/03/31							
		DRAFT WHERE APPLICABLE MUST REMAIN WITHIN DIMENSIONS										