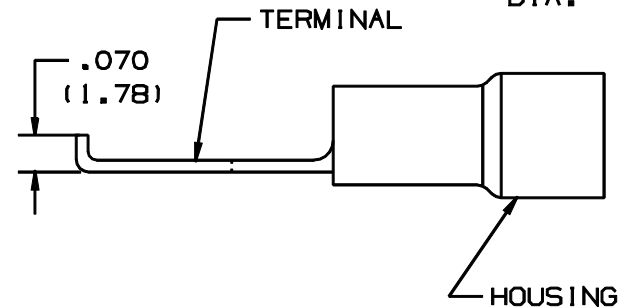
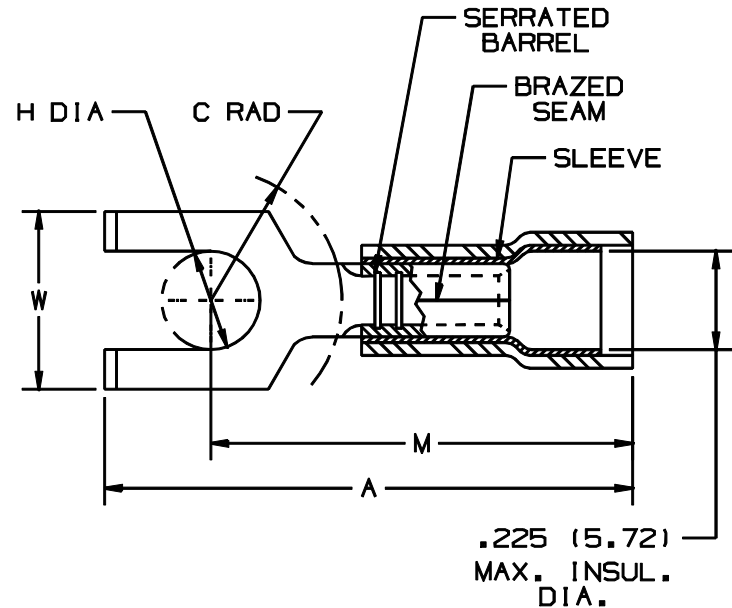


THIS COPY IS PROVIDED ON A RESTRICTED BASIS AND IS NOT TO BE USED IN ANY WAY DETRIMENTAL TO THE INTERESTS OF PANDUIT CORP.

PANDUIT PART NUMBER	STUD SIZE	DIMENSIONS in.				
		A $\pm .04$	W $\pm .010$	C $\pm .015$	M $\pm .04$	H $\pm .010$
PN10-8FF	#8	1.05 (26.67)	.37 (9.40)	.28 (7.11)	.80 (20.32)	.17 (4.32)
PN10-10FF	#10	1.05 (26.67)	.37 (9.40)	.28 (7.11)	.80 (20.32)	.20 (5.08)

NOTES:

1. U.L. LISTED AND CSA CERTIFIED FOR:
 - A. 600V MAX BUILDING WIRE (1000V MAX IN SIGNS, FIXTURES, AND LUMINAIRES)
 - B. #14-10 AWG SOLID OR STRANDED COPPER WIRE WITH THE CT-550 INSTALLATION TOOL
 - C. #12-10 AWG STRANDED AND #12 AWG SOLID COPPER WIRE WITH THE CT-1550 AND CT-1551 INSTALLATION TOOLS
 - D. #12-10 AWG SOLID OR STRANDED COPPER WIRE WITH THE CT-100 INSTALLATION TOOL
 - E. 221°F (105°C) MAX TEMP RATING
2. MATERIAL:
 - A. STAMPING: .04" (1.02) THK COPPER, TIN PLATED
 - B. HOUSING: NYLON, YELLOW
 - C. SLEEVE: BRASS, TIN PLATED
3. STRIP LENGTH: $9/32 +1/32 -0$
4. PACKAGE QUANTITY:
 - L=50
 - D=500



LISTED
587H
E52164



CERTIFIED
LR31212

5. DIMENSIONS IN BRACKETS ARE IN INCHES

A41241_07

07	1/01	KMD		CAD FILE SPEC. WAS N41241AA_PCD_06					PANDUIT CORP. TINLEY PARK, ILLINOIS	
06	5/99	ED		UPDATED "A" & "M" DIM.S, AND MODIFIED DIMENSIONAL TOLERANCES	07661					
				FILESPEC WAS: A41241_05					#12-10 BARREL NYLON INSUL. FLANGED FORK, .225 (5.72) MAX. WIRE INSUL. DIA.	
05	5/97	TM		UPDATED ALL NOTES AND "A" DIMS FILESPEC WAS A41241A	05826	LA	DBH			
REV	DATE	BY	CHK	DESCRIPTION	ECN#	CUST	PM	DRAWN BY DAW	SCALE NONE	DRAWING NO. A41241