

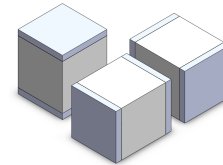
## Surface Mount 2-Electrode Gas Discharge Tube (GDT)

### UN1210 Series

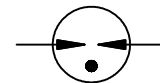
#### Description

Gas discharge Tubes (GDT) are classical components for protecting the installations of the telecommunications. It is essential that IT and telecommunications systems -with their high-grade but sensitive electronic circuits - be protected by arresters.

The 1210 series GDT offers high surge ratings in a miniature package. It's designed for surface mounting on PCB with small size 3.2x2.5x2.5mm. Low insertion loss is perfectly suited to broadband equipment applications. The capacitance does not vary with voltage, and will not cause operational problems with ADSL2+, where capacitance variation across Tip and Ring is undesirable. These devices are extremely robust and are able to divert a 500A pulse in a miniature package 1210 without destruction.



#### Schematic Symbol



#### Agency Approvals

- u Non-Radioactive
- u RoHS compliant
- u Ultra low capacitance (<1.0pF)
- u UL recognized
- u Excellent response to fast rising transients
- u 1KA surge capability tested with 8/20 $\mu$ s pulse as defined by IEC 61000-4-5
- u Square Outline

#### Product Characteristics

<b>Materials</b>	Dull Tin-plated
<b>Product Marking</b>	Without
<b>Storage and Operational Temperature</b>	-40 to +90°C
<b>Weight</b>	~80mg

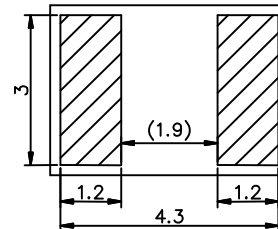
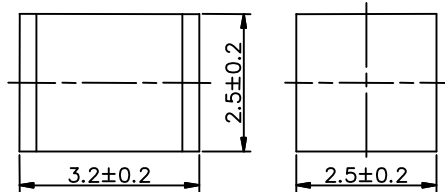
#### Applications

- u Communication equipment
- u CATV equipment
- u Test equipment
- u Data lines
- u Power supplies
- u Telecom SLIC protection
- u Broadband equipment
- u ADSL equipment, including ADSL2+
- u XDSL equipment
- u Satellite and CATV equipment
- u General telecom equipment
- u ESD protection

## Surface Mount 2-Electrode Gas Discharge Tube (GDT)

### UN1210 Series

#### Device Dimensions (Unit: mm)



Recommended pad outline

#### Electrical Characteristics

Part Number	DC Spark-over Voltage	Maximum Impulse Spark-over Voltage		Minimum Insulation Resistance	Maximum Capacitance	Arc Voltage	Nominal Impulse Discharge Current	Impulse Discharge Voltage
	@100V/S	@100V/ $\mu$ s	@1KV/ $\mu$ s		@1MHz	@1A	@8/20 $\mu$ s $\pm$ 5 times	@10/700 $\mu$ s
UN1210-150BSMD	150V $\pm$ 20%	500V	600V	1 G $\Omega$ (at 50V DC)	1.0pF	~15V	1 KA	8KV
UN1210-200BSMD	200V $\pm$ 20%	500V	700V	1 G $\Omega$ (at 100V DC)	1.0pF	~15V	1 KA	8KV
UN1210-230BSMD	230V $\pm$ 20%	600V	700V	1 G $\Omega$ (at 100V DC)	1.0pF	~15V	1 KA	8KV
UN1210-300BSMD	300V $\pm$ 20%	700V	800V	1 G $\Omega$ (at 100V DC)	1.0pF	~15V	1 KA	8KV
UN1210-350BSMD	350V $\pm$ 20%	800V	900V	1 G $\Omega$ (at 100V DC)	1.0pF	~15V	1 KA	8KV
UN1210-400BSMD	400V $\pm$ 20%	800V	950V	1 G $\Omega$ (at 100V DC)	1.0pF	~15V	1 KA	8KV
UN1210-420BSMD	420V $\pm$ 20%	800V	950V	1 G $\Omega$ (at 100V DC)	1.0pF	~15V	1 KA	8KV
UN1210-470BSMD	470V $\pm$ 20%	900V	1000V	1 G $\Omega$ (at 100V DC)	1.0pF	~15V	1 KA	8KV

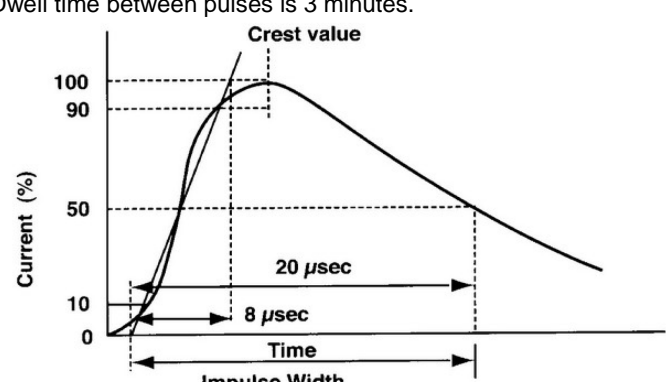
**Notes:**

- 1). Terms in accordance with ITU-T K.12 and GB/T 9043-2008
- 2). At delivery AQL 0.65 level II., DIN ISO 2859

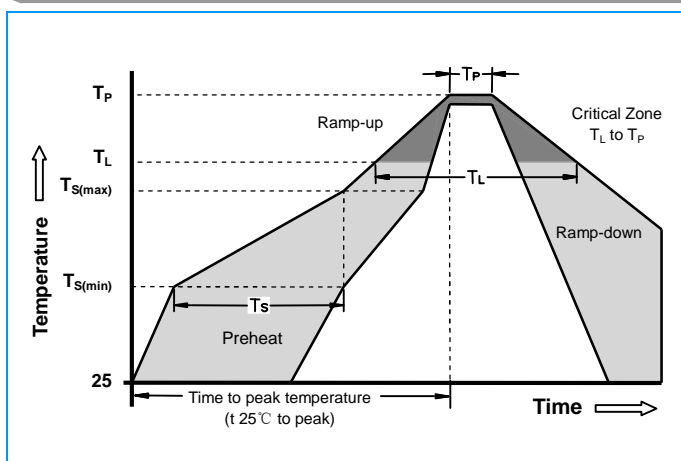
# Surface Mount 2-Electrode Gas Discharge Tube (GDT)

## UN1210 Series

### Electrical Rating

Item	Test Condition / Description	Requirement
<b>DC Spark-over Voltage</b>	The voltage is measured with a slowly rate of rise $dv / dt=100V/s$	To meet the specified value
<b>Impulse Spark-over Voltage</b>	The maximum impulse spark-over voltage is measured with a rise time of $dv / dt=100V/\mu s$ or $1KV/\mu s$	
<b>Insulation Resistance</b>	The resistance of gas tube shall be measured each terminal each other terminal, please see above spec.	
<b>Capacitance</b>	The capacitance of gas tube shall be measured each terminal to each other terminal. Test frequency :1MHz	
<b>Nominal Impulse Discharge Current</b>	The maximum current applying a waveform of 8/20 $\mu s$ that can be applied across the terminals of the gas tube. One hour after the test is completed, re-testing of the DC spark-over voltage does not exceed $\pm 30\%$ of the nominal DC spark-over voltage. Dwell time between pulses is 3 minutes. 	

### Recommended soldering profile

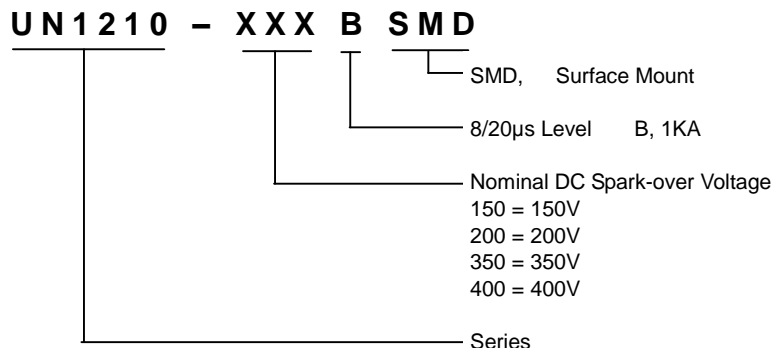


Reflow Condition		Pb - Free assembly
Pre Heat	- Temperature Min ( $T_{s(min)}$ )	150°C
	- Temperature Max ( $T_{s(max)}$ )	200°C
	- Time (min to max) ( $t_s$ )	60 -180 Seconds
Average ramp up rate ( Liquidus Temp $T_L$ ) to peak		3°C/second max
$T_{S(max)}$ to $T_L$ - Ramp-up Rate		5°C/second max
Reflow	- Temperature ( $T_L$ ) (Liquidus)	217°C
	- Time (min to max) ( $t_s$ )	60 -150 Seconds
Peak Temperature ( $T_P$ )		260 +0/-5°C
Time within 5°C of actual peak Temperature ( $t_p$ )		10 - 30 Seconds
Ramp-down Rate		6°C/second max
Time 25°C to peak Temperature ( $T_P$ )		8 minutes Max
Do not exceed		260°C

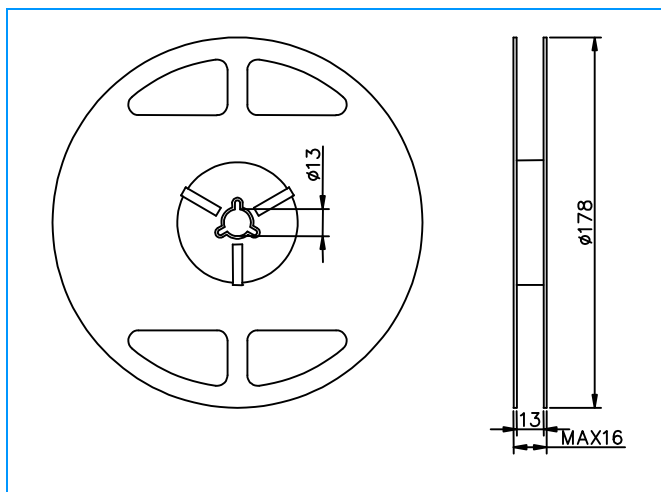
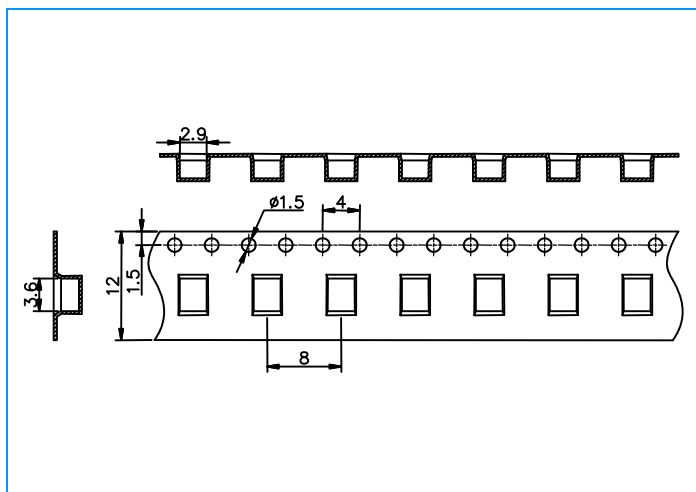
## Surface Mount 2-Electrode Gas Discharge Tube (GDT)

### UN1210 Series

#### Part Numbering



#### Tape and Reel Dimensions Unit: mm



#### Packaging

Part Number	Description	Quantity
UN1210-XXXBSMD	12mm Tape & 7" Reel	1000

#### Cautions and warnings

- ⚠ Gas discharge tubes (GDT) must not be operated directly in power supply networks.
- ⚠ Gas discharge tubes (GDT) may become hot in case of longer periods of current stress (danger of burning).
- ⚠ Gas discharge tubes (GDT) may be used only within their specified values. In the event of overload, the head contacts may fail or the component may be destroyed.
- ⚠ Damaged Gas discharge tubes (GDT) must not be re-used.