

GERMANIUM POWER TRANSISTORS

Type Number	Case Type	V <sub>CE0</sub> V	V <sub>CE1</sub> V	V <sub>CE2</sub> V	V <sub>CE3</sub> V	V <sub>CE4</sub> V	CURRENT GAIN				SATURATION VOLTAGES				θ <sub>JC</sub> °C/W
							Min.	Max.	V <sub>CE</sub> @ I <sub>C</sub>	V <sub>CE</sub> @ I <sub>E</sub>	V <sub>CE(sat)</sub> V	V <sub>BE(sat)</sub> V	I <sub>C</sub> @ I <sub>E</sub>	I <sub>C</sub> @ I <sub>E</sub>	

4 AMP GERMANIUM PNP

2N234A	TO-3	25			25		25		2.0							
2N235B	TO-3	25		15.0	35		34	40	2.0							
2N255A	TO-3	15		15.0	15		25		2.0							
2N256A	TO-3	30		15.0	25		25		2.0							
2N257	TO-3	40		6.0			20		2.0							
2N553	TO-3	80		40.0			40	80	2.0	.5	.90	1.50	.3	.220	2.00	
2N663	TO-3	50	25	20.0			25	75	2.0	.5	1.00		.3	.600	1.20	
2N1159	TO-3	80	60	20.0			30	75	2.0	3.0	.07		3.0	.200	1.20	

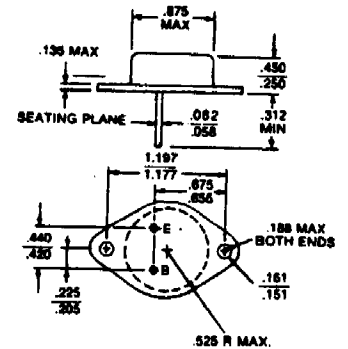
5 AMP GERMANIUM PNP

2N350	TO-3	50		10.0			30	20	60	2.0	.7	.40		3.0	.300	.80
2N350A	TO-3	50		25.0			40	20	60	2.0	.7	1.75		3.0	.300	.80
2N351	TO-3	50		10.0			30	25	90	2.0	.7	.40		3.0	.300	.80
2N351A	TO-3	50		25.0			40	25	90	2.0	.7	1.75		4.0	.400	.80
2N376	TO-3	50		10.0			30	35	120	2.0	.7	.40		3.0	.300	.80
2N376A	TO-3	50		25.0			40	35	120	2.0	.7	1.75		5.0	.500	.80
2N665	TO-3	80		40.0			40	80	2.0	.5	.90		.3	.200	1.00	
2N669	TO-3	40		20.0			30	75	250	2.0	.5				.80	
2N1011	TO-3	80	40	40.0			80	30	75	2.0	3.0	.15		3.0	.300	2.00
2N1168	TO-3	50		20.0			30	70	110	2.0	1.0	.25		3.0	.100	1.50
2N1529	TO-3	40	20	20.0			30	20	40	2.0	3.0	1.50		3.0	.300	1.20
2N1529A	TO-3	40	20	20.0			30	20	40	2.0	3.0	1.50		3.0	.300	.80
2N1530	TO-3	60	30	30.0			45	20	40	2.0	3.0	1.50		3.0	.300	.80
2N1530A	TO-3	60	30	30.0			45	20	40	2.0	3.0	1.50		3.0	.300	.80
2N1531	TO-3	80	40	40.0			60	20	40	2.0	3.0	1.50		3.0	.300	.80
2N1531A	TO-3	80		40.0			60	20	40	2.0	3.0	1.50		3.0	.300	.80
2N1532	TO-3	100	50	50.0			75	20	40	2.0	3.0	1.50		3.0	.300	.80
2N1532A	TO-3	100		50.0			75	20	40	2.0	3.0	1.50		3.0	.300	.80
2N1533	TO-3	120	60	60.0			90	20	40	2.0	3.0	1.50		3.0	.300	.80
2N1534	TO-3	40	20	20.0			30	35	70	2.0	3.0	1.20		3.0	.300	.80
2N1534A	TO-3	40		20.0			30	35	70	2.0	3.0	1.20		3.0	.300	.80
2N1535	TO-3	60	30	30.0			45	35	70	2.0	3.0	1.20		3.0	.300	.80
2N1535A	TO-3	60		30.0			45	35	70	2.0	3.0	1.20		3.0	.300	.80
2N1536	TO-3	80	40	40.0			60	35	70	2.0	3.0	1.20		3.0	.300	.80
2N1536A	TO-3	80		40.0			60	35	70	2.0	3.0	1.20		3.0	.300	.80
2N1537	TO-3	100	50	50.0			75	35	70	2.0	3.0	1.20		3.0	.300	.80
2N1537A	TO-3	100		50.0			75	35	70	2.0	3.0	1.20		3.0	.300	.80
2N1538	TO-3	120	60	60.0			90	35	70	2.0	3.0	1.20		3.0	.300	.80
2N1539	TO-3	40	20	20.0			30	50	100	2.0	3.0	.30		3.0	.300	.80
2N1539A	TO-3	40		20.0			30	50	100	2.0	3.0	.30		3.0	.300	.80
2N1540	TO-3	60	30	30.0			45	50	100	2.0	3.0	.30		3.0	.300	.80
2N1540A	TO-3	60		30.0			45	50	100	2.0	3.0	.30		3.0	.300	.80
2N1541	TO-3	80	40	40.0			60	50	100	2.0	3.0	.30		3.0	.300	.80
2N1541A	TO-3	80		40.0			60	50	100	2.0	3.0	.30		3.0	.300	.80
2N1542	TO-3	100	50	50.0			75	50	100	2.0	3.0	.30		3.0	.300	.80
2N1542A	TO-3	100		50.0			75	50	100	2.0	3.0	.30		3.0	.300	.80
2N1543	TO-3	120	60	60.0			90	50	100	2.0	3.0	.30		3.0	.300	.80
2N1543A	TO-3	120		60.0			90	50	100	2.0	3.0	.30		3.0	.300	.80
2N1544	TO-3	40	20	20.0			30	75	150	2.0	3.0	.20		3.0	.300	.80
2N1544A	TO-3	40	20	20.0			30	75	150	2.0	3.0	.20		3.0	.300	.80
2N1545	TO-3	60	30	30.0			45	75	150	2.0	3.0	.20		3.0	.300	.80
2N1545A	TO-3	60	30	30.0			45	75	150	2.0	3.0	.20		3.0	.300	.80
2N1546	TO-3	80	40	40.0			60	75	150	2.0	3.0	.20		3.0	.300	.80
2N1546A	TO-3	80	40	40.0			60	75	150	2.0	3.0	.20		3.0	.300	.80
2N1547	TO-3	100	50	50.0			75	75	150	2.0	3.0	.20		3.0	.300	.80
2N1547A	TO-3	100	50	50.0			75	75	150	2.0	3.0	.20		3.0	.300	.80
2N1548	TO-3	120	60	60.0			90	75	150	2.0	3.0	.20		3.0	.300	.80
2N1971	TO-3	80		40.0			25	60	2.0	.5					2.00	
2N2266	MT-36	80	55				25	75	2.0	5.0	.75		5.50	5.0	.667	1.20
2N2267	MT-36	100	55				25	75	2.0	5.0	.75		5.50	5.0	.667	1.20

6 AMP GERMANIUM PNP

2N1136	TO-3	60		15.0	35		50	100	5.0	3.0	1.0		3.0	.300	1.20	
2N1136A	TO-3	90		15.0	65		50	100	5.0	3.0	1.0		3.0	.300	1.20	
2N1136B	TO-3	100		15.0	75		50	100	5.0	3.0	1.0		3.0	.300	1.20	
2N1137	TO-3	60	25	15.0	35		75	150	5.0	3.0	1.0		3.0	.300	1.20	
2N1137A	TO-3	90	55	15.0	65		75	150	5.0	3.0	1.0		3.0	.300	1.20	

MODIFIED TO-3  
(60 mil pins)



MT-36

