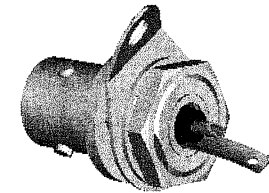


| KEYING LETTER | A° | B° | C° | COLOR BAND |
|---------------|------|------|------|------------|
| NONE | 120° | 120° | 120° | NONE |
| S | 135° | 135° | 90° | WHITE |
| T | 100° | 150° | 110° | RED |
| U | 120° | 130° | 110° | ORANGE |
| V | 115° | 130° | 115° | YELLOW |
| W | 125° | 110° | 125° | GREEN |
| X | 130° | 100° | 130° | BLUE |
| Y | 110° | 140° | 110° | VIOLET |
| Z | 100° | 160° | 100° | GRAY |

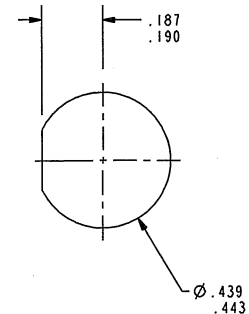
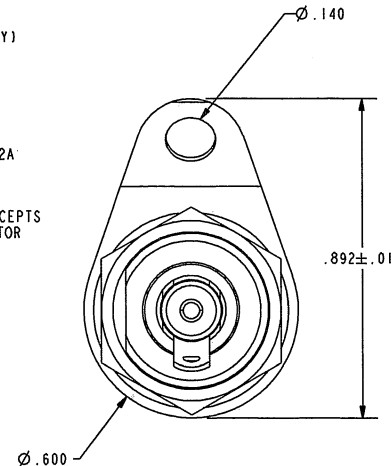
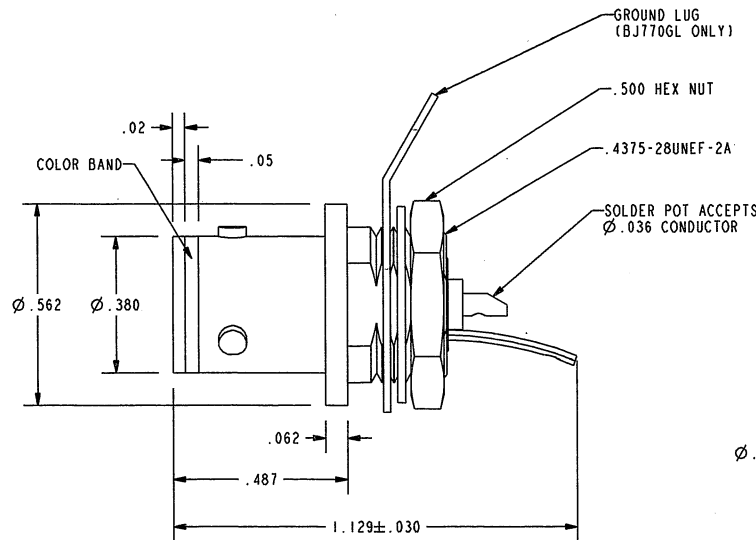
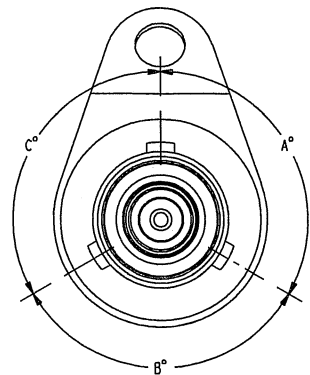
| MODEL NUMBER | INCLUDED ITEMS |
|--------------|---|
| BJ770 | CONNECTOR HEX NUT LOCK WASHER |
| BJ770GL | CONNECTOR HEX NUT LOCK WASHER GROUND LUG |

DATA CONTAINED IN THIS DOCUMENT IS PROPRIETARY OF TROMPETER ELECTRONICS, INC. AND SHALL NOT BE DISCLOSED, COPIED OR USED FOR PROCUREMENT OR MANUFACTURE WITHOUT EXPRESS WRITTEN PERMISSION.

| REV | DESCRIPTION | DATE | APPROVED |
|-----|-------------------------|---------|-------------|
| D | REVISED PER ECO # 16538 | 4/25/08 | [Signature] |

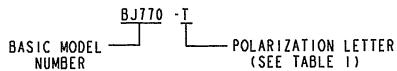


SCALE 2/1



RECOMMENDED PANEL CUTOUT

4. EXAMPLE OF COMPLETE MODEL NUMBER:



- MAXIMUM PANEL THICKNESS .125
- SOCKET CONTACT CONCENTRIC TWINAX/ TRIAX TRB SOLDER POT BULKHEAD MOUNT RECEPTACLE
- TFS-1A (TOTAL BUILD-UP .000180-.000450 PER SURFACE)

NOTES: UNLESS OTHERWISE SPECIFIED.

RED INDICATES ORIGINAL

| | | | | | | | |
|-----------------------|--|---|------------------|---------------------------------------|---------------------------------------|--------|---------------|
| 305-0594 | INTERPRET DRAWING PER W1-570-100. DIMENSIONS ARE IN INCHS AND INCLUDE FINISH THICKNESS UNLESS OTHERWISE SPECIFIED. | TOL: UNLESS SPECIFIED .XX ± .XXX ± .005 .XXXX ± ANGLE ± | | TROMPETER ELECTRONICS, INC. | | | |
| 305-0537 | | MATERIAL 1-9-08 2-22-08 | | | TITLE: BJ770/S/I/T/U/V/ W/X/Y/Z | | |
| 305-0536 | | | | | | FINISH | |
| 305-0278 | | | | | | | DATE: 2/22/08 |
| 305-0138 | | | | | | | |
| 22-01 | DATE: 6-2-95 SHEET: IC | | | | | | |
| 22-04 | | REV: D | | | | | |
| 22-09 | | | DO NOT SCALE DWG | | | | |
| PROTE FILE NO. 3-0296 | | | | | | | |
| NEXT ASSY | | | | | | | |