

Green-Mode PWM Controller with Protection

Features

- Current Mode Control
- Standby Power below 100mW
- Under-Voltage Lockout (UVLO)
- Non-Audible-Noise Green-Mode Control
- 65KHz Switching Frequency
- Internal Leading-Edge Blanking
- Internal Slope Compensation
- Internal Soft Start
- Gate Output Voltage Clamp
- Jitter and Soft Driving for Reducing EMI
- Over-Load Protection (OLP)-Auto Recovery Mode
- Vcc OVP Protection- Auto Recovery Mode
- 300mA Driving Capability

Description

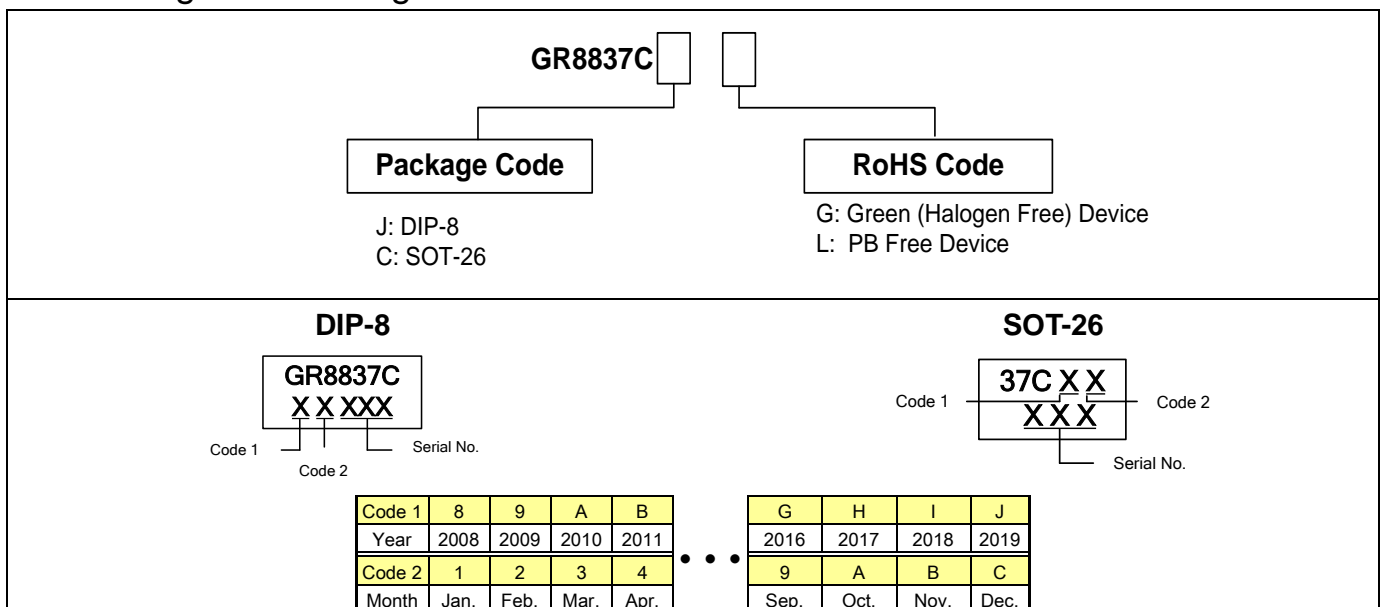
The GR8837C is a highly-integrated, low startup current, current mode PWM controller with green-mode function. The integrated functions also include the leading-edge blanking of the current sensing, internal slope compensation, soft start OLP, and OVP. These functions enable the power supply to easily meet even the strictest power requirements.

The GR8837C improves the performance and reduces the cost of power supplies. It is with 8-pin DIP and 6-pin SOT-26 package

Application

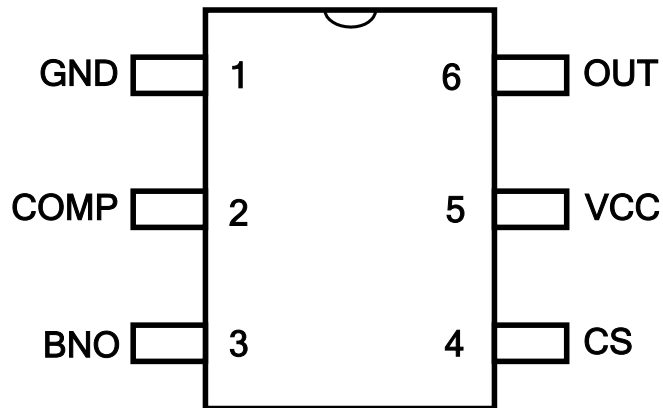
- Switching AC/DC Adapter
- Open Frame SMPS
- Battery Charger

Ordering and Marking Information



Greenergy OPTO Inc. reserves the right to make changes to improve reliability or manufacture ability without notice, and advise customers to obtain the latest version of relevant information to verify before placing orders.

Pin Configuration



Pin Description

| Pin No. | Name | Function |
|---------|------|---|
| 1 | GND | Ground pin |
| 2 | COMP | Voltage feedback pin, by connecting a photo-coupler to control the duty cycle |
| 3 | BNO | Brownout protection pin. Connect a resistor divider between this pin and bulk capacitor voltage to set the brownout level. If the voltage is less than threshold voltage, the PWM output will be disabled |
| 4 | CS | Current sense pin, connect to sense the MOSFET current |
| 5 | VCC | Power supply pin |
| 6 | OUT | The output driver for driving the external MOSFET |

Absolute Maximum Ratings

| | | |
|--|-------|-------------------|
| Supply voltage VCC | ----- | 30V |
| COMP, BNO, CS | ----- | -0.3 ~ 7V |
| OUT | ----- | -0.3 ~ VCC + 0.3V |
| Junction temperature | ----- | 150°C |
| Operating ambient temperature | ----- | -20°C ~ 85°C |
| Storage temperature range | ----- | -65°C ~ 150 °C |
| SOT-26 package thermal resistance (junction to ambient) | ----- | 250°C/W |
| Power dissipation (SOT-26, at ambient temperature = 85°C) | ----- | 250mW |
| Power dissipation (DIP-8, at ambient temperature = 85°C) | ----- | 650mW |
| Lead temperature (All Pb free packages, soldering, 10 sec) | ----- | 260°C |
| ESD voltage protection, human body model | ----- | 2KV |
| ESD voltage protection, machine model | ----- | 200V |

Electrical Characteristics (VCC = 15.0V & TA = +25°C, unless otherwise specified.)

| Parameter | Pin | Min. | Typ. | Max. | Unit |
|-----------|-----|------|------|------|------|
|-----------|-----|------|------|------|------|

SUPPLY VOLTAGE

| | | | | | |
|---|---|------|------|------|----|
| Startup Current (VCC=UVLO on - 1V) | 5 | | 8 | 15 | uA |
| Operating Current (with 1nF load on OUT pin), Vcomp = 0V | 5 | | 800 | | uA |
| Operating Current (with 1nF load on OUT pin), Vcomp = 2.5V | 5 | | 2 | | mA |
| Operating Current (with 1nF load on OUT pin), Protection Tripped (OLP, OVP) | 5 | | 0.7 | | mA |
| UVLO(off) | 5 | 5.8 | 6.8 | 7.8 | V |
| UVLO(on) | 5 | 10.3 | 11.3 | 12.3 | V |
| OVP Level on VCC Pin- Auto Recovery Mode | 5 | 27 | 28 | 29 | V |
| VCC Level in Latch Mode (3Meg start-up resistor) | 5 | | 6 | | V |

VOLTAGE FEEDBACK

| | | | | | |
|-----------------------------------|---|-----|------|-----|----|
| Short Circuit Current, Vcomp = 0V | 2 | | | 0.8 | mA |
| Open Loop Voltage, COMP Pin Open | 2 | 4.4 | | 5.5 | V |
| Green-Mode Start Voltage | 2 | | 1.5 | | V |
| Burst Mode Start Voltage | 2 | | 0.85 | | V |

CURRENT SENSING

| | | | | | |
|--|---|------|------|-----|----|
| Maximum Input Voltage, Vcs(off)-Auto Recovery Mode | 4 | 0.80 | 0.85 | 0.9 | V |
| Leading-Edge Blanking Time | 4 | | 350 | | nS |
| Input Impedance | 4 | 1 | | | mΩ |
| Delay to Output | 4 | | 100 | | nS |

OSCILLATOR

| | | | | | |
|-----------------------------------|---|----|----|----|-----|
| Frequency | - | 60 | 65 | 70 | KHz |
| Jitter Frequency | - | | ±6 | | % |
| Green Mode Frequency | - | 20 | 22 | 25 | KHz |
| Temp. Stability (-40°C ~ 110°C) | - | | | 5 | % |
| Voltage Stability (VCC = 11V~25V) | - | | | 3 | % |

GATE DRIVER OUTPUT

| | | | | | |
|---|---|---|-----|---|----|
| Output Low Level, VCC = 15V, Io = 20mA | 6 | | | 1 | V |
| Output High Level, VCC = 15V, Io = 20mA | 6 | 8 | | | V |
| Rising Time, Load Capacitance = 1000pF | 6 | | 200 | | nS |
| Falling Time, Load Capacitance = 1000pF | 6 | | 80 | | nS |
| VGATE-Clamp (VCC = 25V) | 6 | | 13 | | V |

OLP SECTION

| | | | | | |
|-----------------------------|---|--|-----|--|----|
| OLP Trip Level, Vcomp (OLP) | - | | 3.5 | | V |
| OLP Delay Time | - | | 60 | | mS |

PWM SECTION

| | | | | | |
|--------------------|---|----|----|----|---|
| Maximum Duty Cycle | - | 70 | 75 | 80 | % |
|--------------------|---|----|----|----|---|

Brownout Function

| | | | | | |
|------------------------------|--|--|-----|--|---|
| Brownout Turn-On Trip Level | | | 1.1 | | V |
| Brownout Turn-Off Trip Level | | | 0.8 | | V |

Typical Performance Characteristics

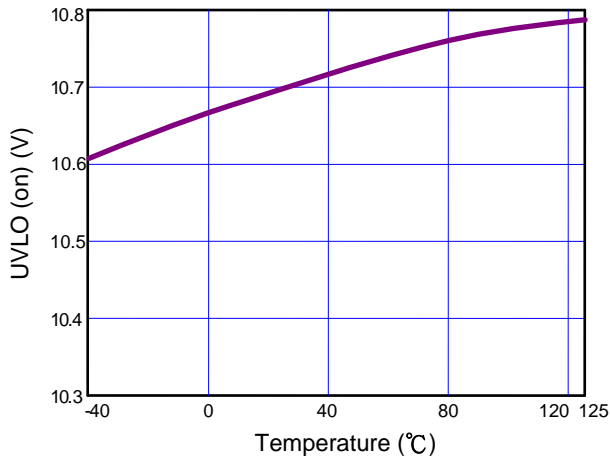


Fig. 1 UVLO (on) vs. Temperature

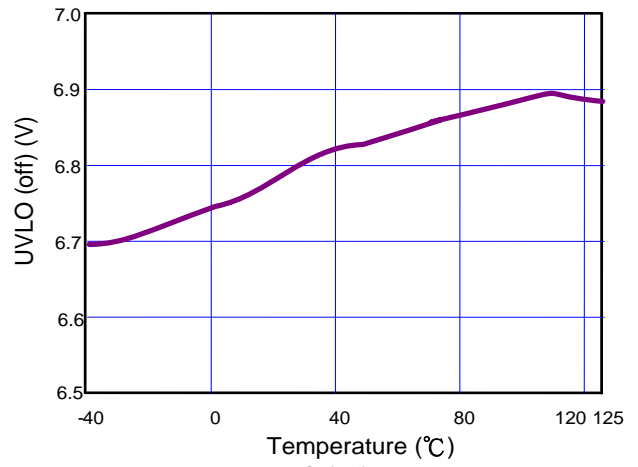


Fig. 2 UVLO (off) vs. Temperature

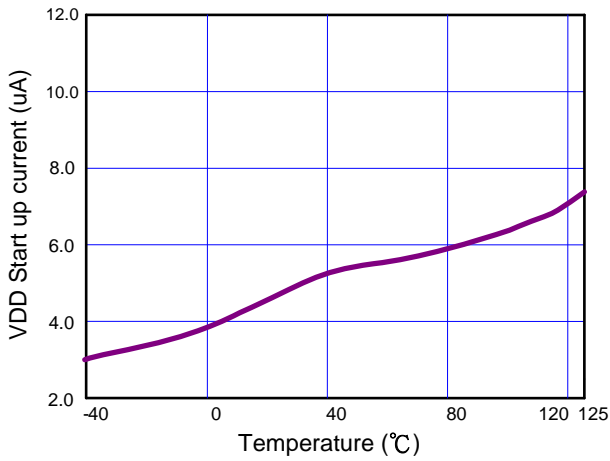


Fig. 3 VDD Start up current vs. Temperature

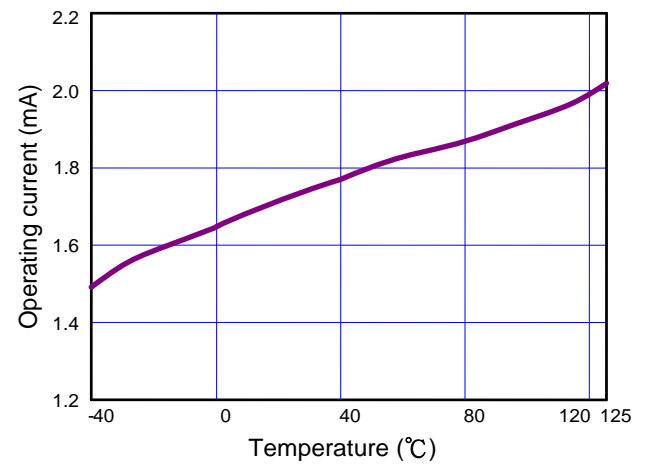


Fig. 4 Operating current vs. Temperature

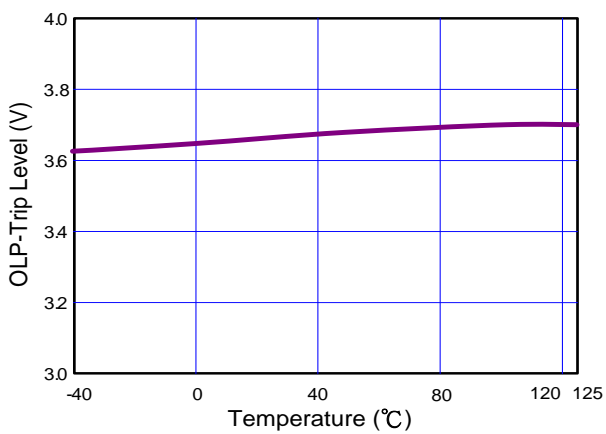


Fig. 5 OLP Trip Level vs. Temperature

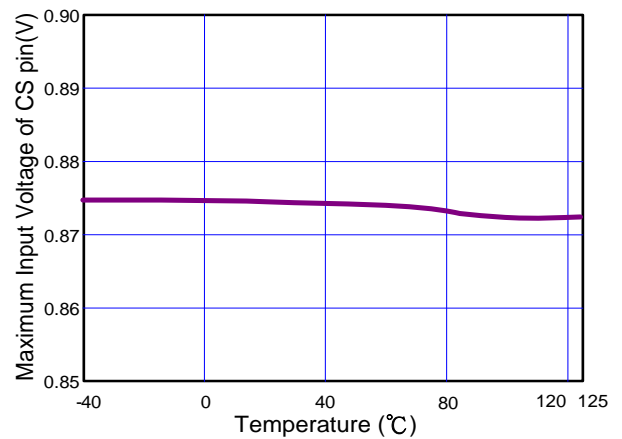


Fig. 6 Maximum Input Voltage of CS pin vs. Temperature

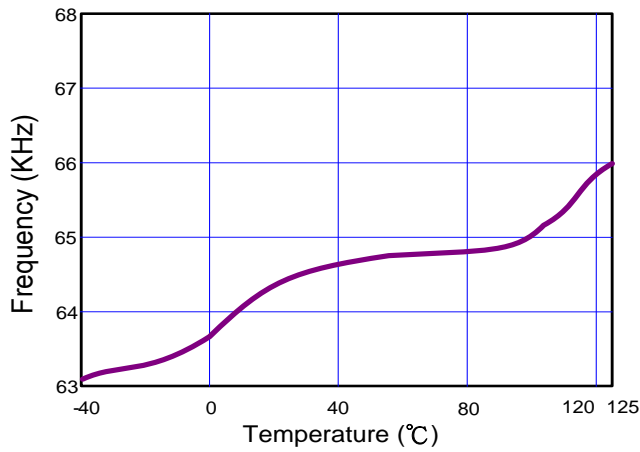


Fig. 7 Frequency vs. Temperature

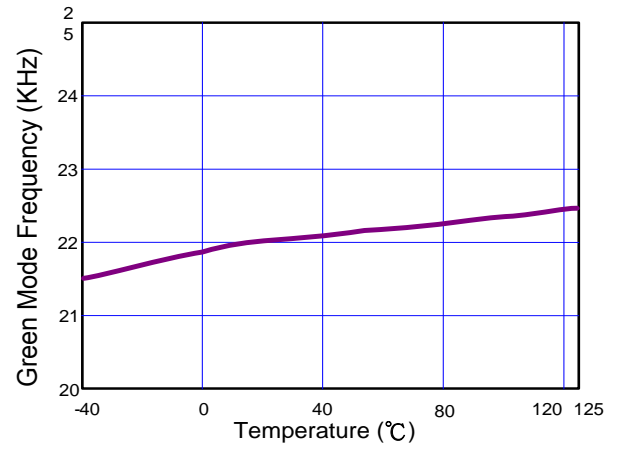


Fig. 8 Green Mode Frequency vs. Temperature

Application Information

Start-up Current

The typical start-up current is around 8uA. Very low start-up current allows the PWM controller to increase the value of start-up resistor and then reduce the power dissipation on it.

UVLO (Under Voltage Lockout)

A hysteresis UVLO comparator is implemented in GR8837C, then the turn-on and turn-off thresholds level are fixed at 11.3V and 6.8V respectively. This hysteresis shown in Fig.9 ensures that the start-up capacitor will be adequate to supply the chip during start-up. The GR8837C is designed to meet the standby power below 100mW. So the start-up resistor can be used as several Mega Ohms to reduce the power loss. Due to the low UVLO on level, so the turn-on delay time will also never greater than the general PWM IC.

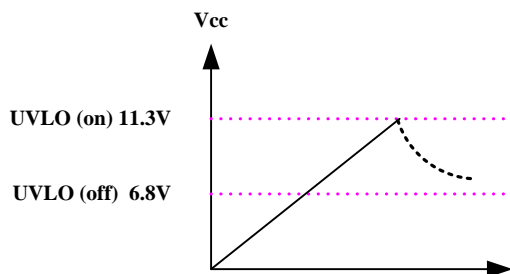


Fig.9

Soft Start

During initial power on, the GR8837C provides 16ms soft start function. It effectively suppresses the start up peak current to reduce the power MOSFET drain voltage especially at high line.

Oscillator

The maximum duty-cycle of internal oscillator is limited to 75% for avoiding the transformer saturation. The frequency of the oscillator is fixed to 65KHz by internal setting.

Green-Mode Operation

When the load decreases to an extent, the frequency of the controller will decrease so as to reduce the system power consumption. The minimum frequency is about 22 KHz, which is outside the audio range.

frequency of the controller will decrease so as to reduce the system power consumption. The minimum frequency is about 22 KHz, which is outside the audio range.

LEB (Leading-Edge Blanking)

Each time the power MOSFET is switched on, a turn-on spike will inevitably occur at the sense resistor. To avoid fault trigger, a 350ns leading-edge blanking time is built in. Conventional RC filtering can therefore be omitted. During this blanking period, the current-limit comparator is disabled and can not switch off the gate driver.

Internal Slope Compensation

A built-in slope compensation circuit is constructed in GR8837C. When the switch is on, a ramp voltage is added to the sensed voltage across the CS pin, which helps to stabilize the system and prevent the sub-harmonic oscillations.

OLP (Over Load Protection)

The GR8837C has over load protection function. An internal circuit detects the load level, when the load is larger than a threshold level and the condition lasts more than 60ms, the gate output will keep on low level. Then VCC decreases below UVLO off level, the controller resets again. Fig.10 shows the waveform of the OLP operation.

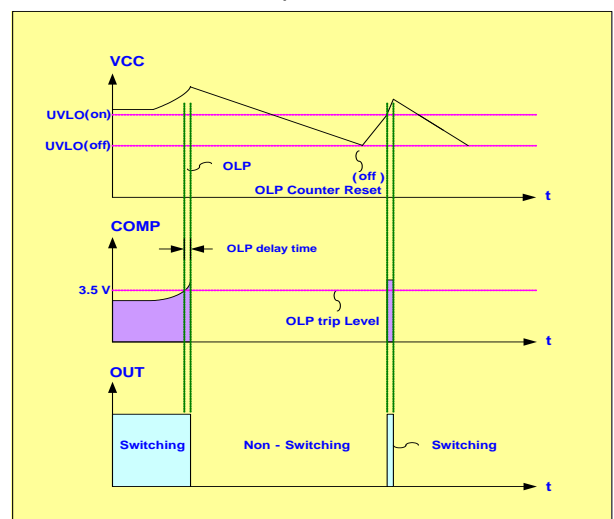


Fig. 10

OVP (Over Voltage Protection) on VCC

To prevent power MOSFET from being damaged, the GR8837C is implemented an OVP function on VCC. When the VCC voltage is higher than the OVP threshold voltage, the output gate driver circuit will be shut down immediately to stop the switching of power MOSFET. The VCC pin OVP function is a Auto-recovery type protection. GR8837C is working in Auto-recovery mode as shown in Fig. 11.

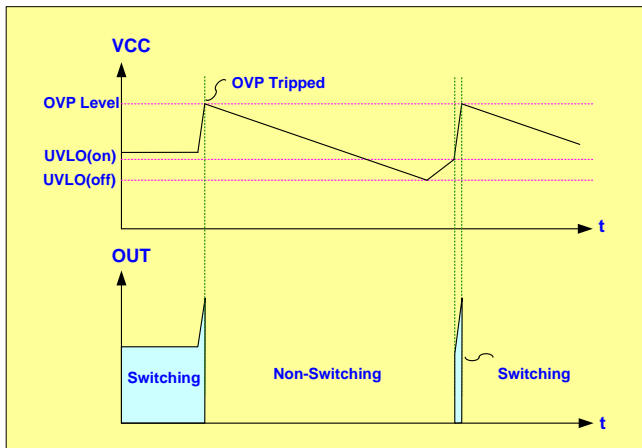


Fig. 11

Gate Clamp/Soft Driving

Driver is clamped to 13V by an internal clamping circuit. A totem pole gate driver is fine tuned to meet both EMI and efficiency requirement in low power application. An internal pull low circuit is activated after pretty low V_{dd} to prevent external MOSFET from accidentally turning on during UVLO.

VCC Mode Operation

In order to avoid the output voltage shut down by load changing from full to no load, the GR8837 is built-in the VCC mode function. When the load from full changes to no load, the output voltage will overshoot and pull low the COMP pin by feedback loop. Thus the duty will disappear and no power delivers to the secondary. If there is without any mechanism to prevent this situation, the VCC pin voltage will down to UVLO off and the IC will re-start again. In the GR8837C, before the VCC is down to

UVLO off, it will force the OUT pin outputs the specified duty to pull the VCC higher than UVLO off. The operation is shown in Fig.12.

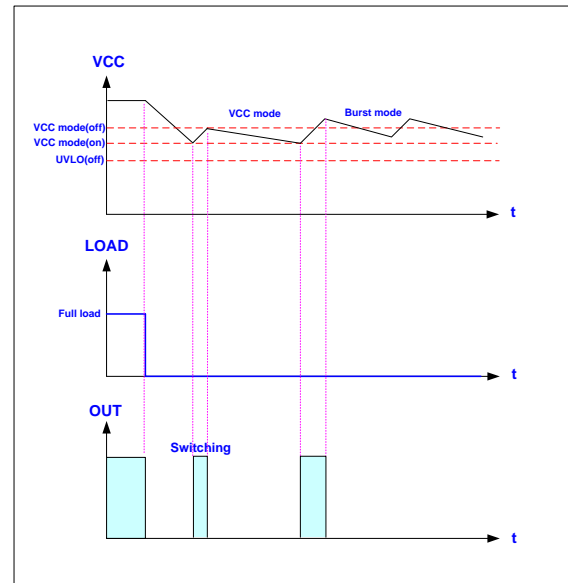


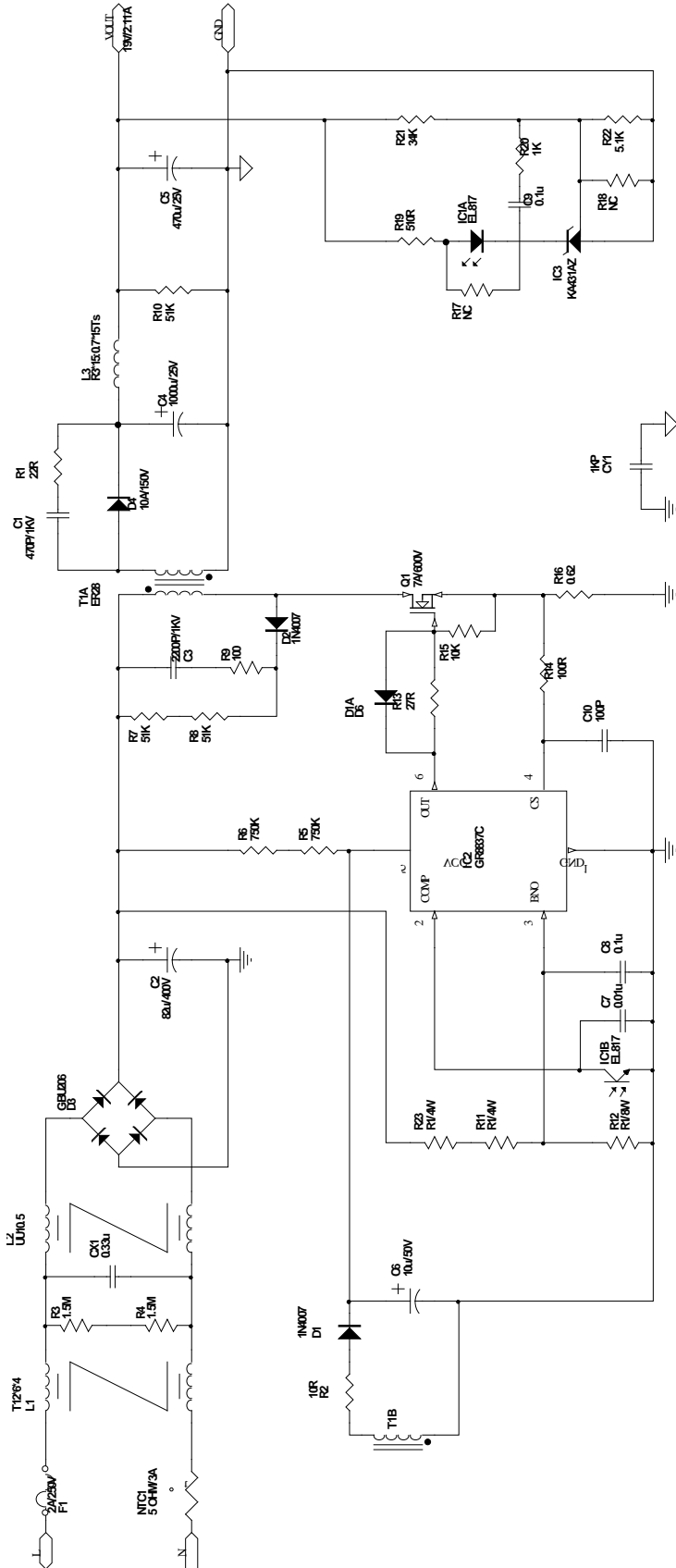
Fig. 12

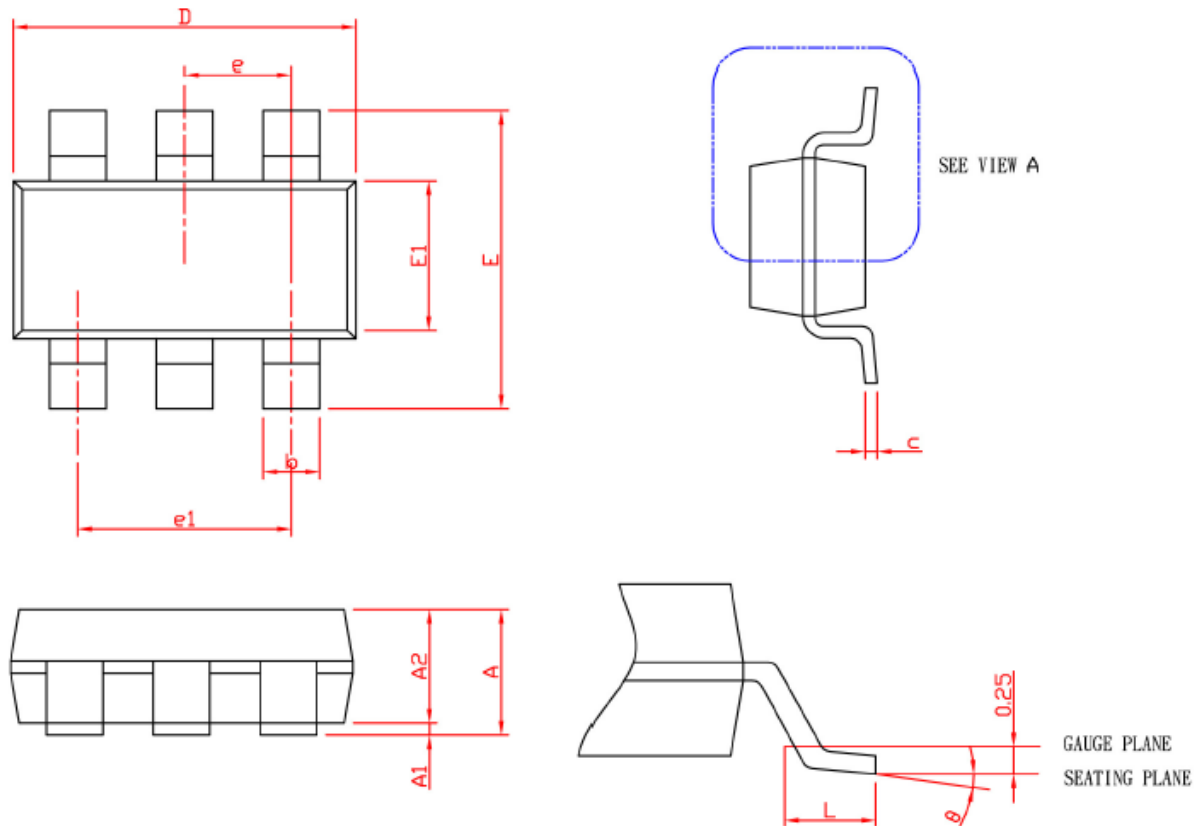
The VCC mode function is used to prevent the output re-start again when load changes. So never let the system operate on the VCC mode at no load. The system should operate on burst mode, otherwise the input power maybe become larger.

Brownout Protection

The GR8837C programmable to set the brownout protection point through BNO pin. The voltage across the BNO pin is proportional to the bulk capacitor voltage, referred as the line voltage. A brownout comparator is implemented to detect the abnormal line condition. As soon as the condition is detected, it will shut down the controller to prevent the damage. When VBNO falls below 0.80V, the gate output will be kept off even Vcc has already achieved UVLO(ON). It therefore makes Vcc hiccup between UVLO(ON) and UVLO(OFF). Unless the line voltage is large enough to pull VBNO larger than 1.05V, the gate output will not start switching even when the next UVLO(ON) is tripped. A hysteresis is implemented to prevent the false trigger during turn-on and turn-off.

Typical Application Circuit



Package Information
SOT-26


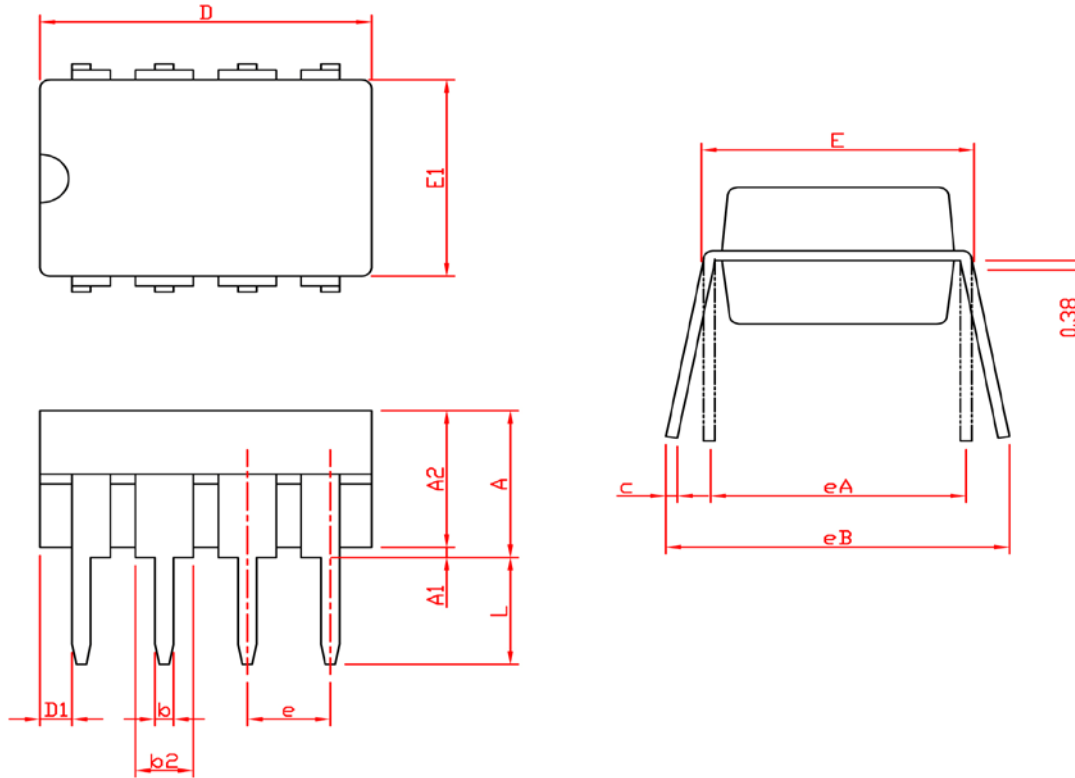
| SYMBOL | SOT-26 | | | |
|----------|-------------|------|-----------|-------|
| | MILLIMETERS | | INCHES | |
| | MIN. | MAX. | MIN. | MAX. |
| A | | 1.45 | | 0.057 |
| A1 | 0.00 | 0.15 | 0.000 | 0.006 |
| A2 | 0.90 | 1.30 | 0.035 | 0.051 |
| b | 0.30 | 0.50 | 0.012 | 0.020 |
| c | 0.08 | 0.22 | 0.003 | 0.009 |
| D | 2.70 | 3.10 | 0.106 | 0.122 |
| E | 2.60 | 3.00 | 0.102 | 0.118 |
| E1 | 1.40 | 1.80 | 0.055 | 0.071 |
| e | 0.95 BSC | | 0.037 BSC | |
| e1 | 1.90 BSC | | 0.075 BSC | |
| L | 0.30 | 0.60 | 0.012 | 0.024 |
| θ | 0° | 8° | 0° | 8° |

Note: 1. Followed from JEDEC TO-178 AB.

2. Dimension D and E1 do not include mold flash, protrusions or gate burrs. Mold flash, protrusions or gate burrs shall not exceed 10 mil per side

Package Information

DIP-8



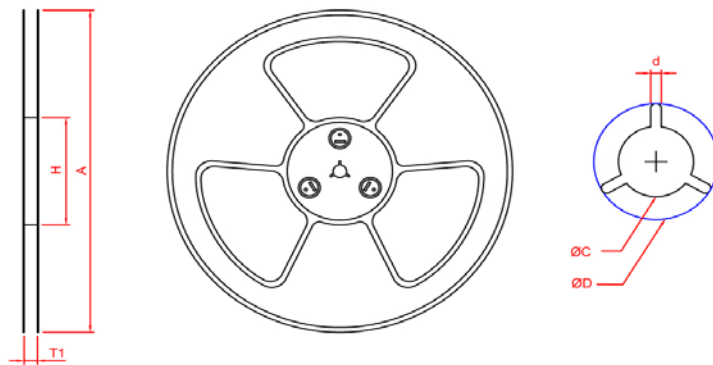
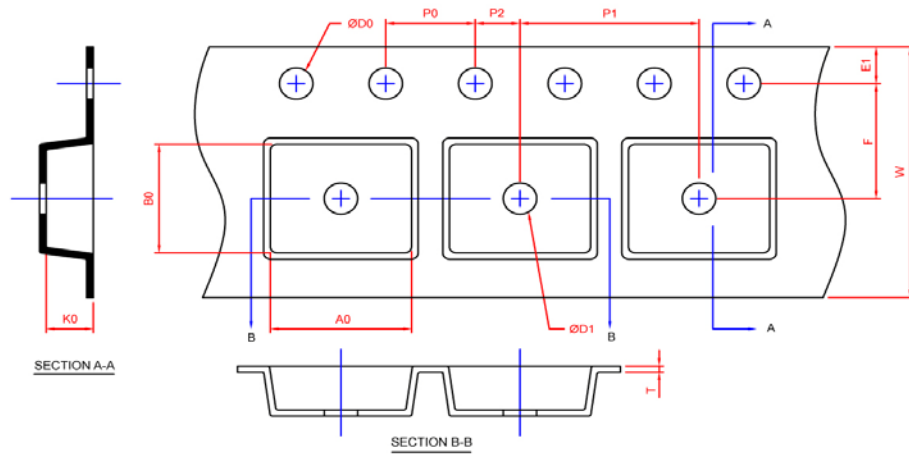
| SYMBOL | DIP-8 | | | |
|--------|-------------|-------|-----------|-------|
| | MILLIMETERS | | INCHES | |
| | MIN. | MAX. | MIN. | MAX. |
| A | | 5.33 | | 0.210 |
| A1 | 0.38 | | 0.015 | |
| A2 | 2.92 | 4.95 | 0.115 | 0.195 |
| b | 0.36 | 0.56 | 0.014 | 0.022 |
| b2 | 1.14 | 1.78 | 0.045 | 0.070 |
| c | 0.20 | 0.35 | 0.008 | 0.014 |
| D | 9.01 | 10.16 | 0.355 | 0.400 |
| D1 | 0.13 | | 0.005 | |
| E | 7.62 | 8.26 | 0.300 | 0.325 |
| E1 | 6.10 | 7.11 | 0.240 | 0.280 |
| e | 2.54 BSC | | 0.100 BSC | |
| eA | 7.62 BSC | | 0.300 BSC | |
| eB | | 10.92 | | 0.430 |
| L | 2.92 | 3.81 | 0.115 | 0.150 |

Note: 1. Followed from JEDEC MS-001 BA.

2. Dimension D, D1 and E1 do not include mold flash or protrusions. Mold flash or protrusions shall not exceed 10 mil.

Carrier Tape & Reel Dimensions

SOT-26



| Application | A | H | T1 | C | d | D | W | E1 | F |
|---------------|------------|-----------|-------------------|--------------------|-----------|-------------------|-----------|-----------|-----------|
| SOT-26 | 178.0±2.00 | 50 MIN. | 8.4+2.00 -0.00 | 13.0+0.50 -0.20 | 1.5 MIN. | 20.2 MIN. | 8.0±0.30 | 1.75±0.10 | 3.5±0.05 |
| | P0 | P1 | P2 | D0 | D1 | T | A0 | B0 | K0 |
| | 4.0±0.10 | 4.0±0.10 | 2.0±0.05 | 1.5+0.10 -0.00 | 1.0 MIN. | 0.6+0.00 -0.40 | 3.20±0.20 | 3.10±0.20 | 1.50±0.20 |

| Application | Carrier Width | Cover Tape Width | Devices Per Reel |
|----------------|---------------|------------------|------------------|
| SOT -26 | 8 | 5.3 | 3000 |

(mm)

Tape and Specification Reel

SOT 26

