

MM74HCT540, Inverting Octal 3-STATE Buffer MM74HCT541, Octal 3-STATE Buffer

Features

- TTL input compatible
- Typical propagation delay: 12ns
- 3-STATE outputs for connection to system buses
- Low quiescent current: 80µA
- Output current: 6mA (Min.)

General Description

The MM74HCT540 and MM74HCT541 3-STATE buffers utilize advanced silicon-gate CMOS technology and are general purpose high speed inverting and non-inverting buffers. They possess high drive current outputs which enable high speed operation even when driving large bus capacitances. These circuits achieve speeds comparable to low power Schottky devices, while retaining the low power consumption of CMOS. Both devices are TTL input compatible and have a fanout of 15 LS-TTL equivalent inputs.

MM74HCT devices are intended to interface between TTL and NMOS components and standard CMOS devices. These parts are also plug-in replacements for LS-TTL devices and can be used to reduce power consumption in existing designs.

The MM74HCT540 is an inverting buffer and the MM74HCT541 is a non-inverting buffer. The 3-STATE control gate operates as a two-input NOR such that if either $\overline{G1}$ or $\overline{G2}$ are HIGH, all eight outputs are in the high-impedance state.

In order to enhance PC board layout, the MM74HCT540 and MM74HCT541 offers a pinout having inputs and outputs on opposite sides of the package. All inputs are protected from damage due to static discharge by diodes to V_{CC} and ground.

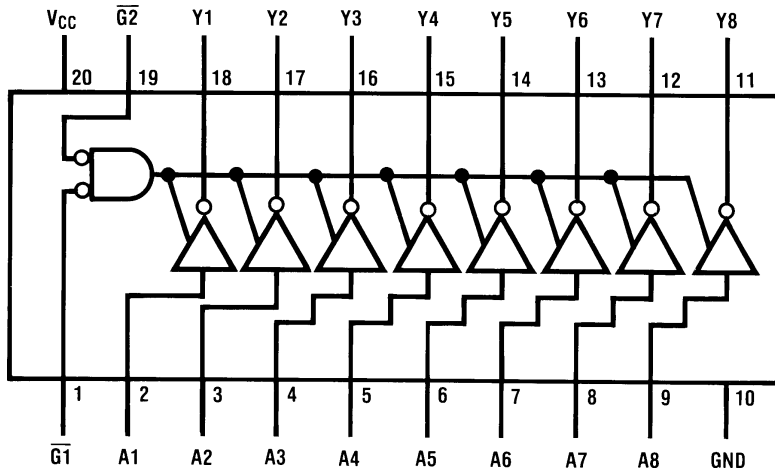
Ordering Information

Order Number	Package Number	Package Description
MM74HCT540WM	M20B	20-Lead Small Outline Integrated Circuit (SOIC), JEDEC MS-013, 0.300" Wide
MM74HCT540SJ	M20D	20-Lead Small Outline Package (SOP), EIAJ TYPE II, 5.3mm Wide
MM74HCT540MTC	MTC20	20-Lead Thin Shrink Small Outline Package (TSSOP), JEDEC MO-153, 4.4mm Wide
MM74HCT541WM	M20B	20-Lead Small Outline Integrated Circuit (SOIC), JEDEC MS-013, 0.300" Wide
MM74HCT541SJ	M20D	20-Lead Small Outline Package (SOP), EIAJ TYPE II, 5.3mm Wide
MM74HCT541MTC	MTC20	20-Lead Thin Shrink Small Outline Package (TSSOP), JEDEC MO-153, 4.4mm Wide
MM74HCT541N	N20A	20-Lead Plastic Dual-In-Line Package (PDIP), JEDEC MS-001, 0.300" Wide

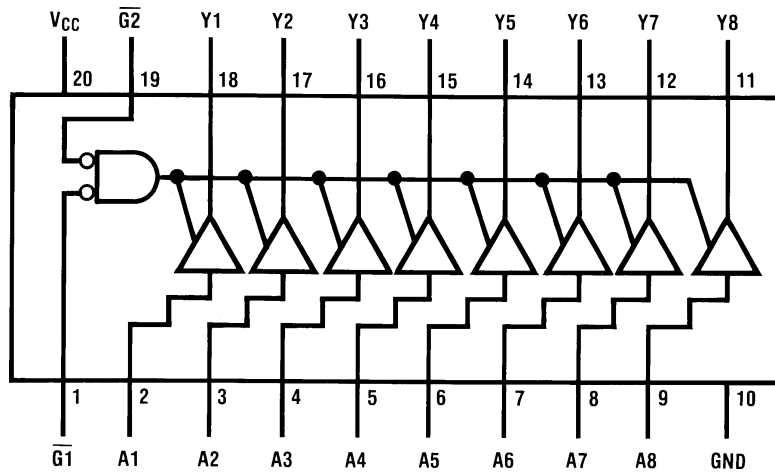
Devices also available in Tape and Reel. Specify by appending the suffix letter "X" to the ordering number.

Connection Diagrams

Pin Assignments for DIP, SOIC, SOP and TSSOP



Top View, MM74HCT540



Top View, MM74HCT541

Absolute Maximum Ratings⁽¹⁾

Stresses exceeding the absolute maximum ratings may damage the device. The device may not function or be operable above the recommended operating conditions and stressing the parts to these levels is not recommended. In addition, extended exposure to stresses above the recommended operating conditions may affect device reliability. The absolute maximum ratings are stress ratings only.

Symbol	Parameter	Rating
V_{CC}	Supply Voltage	-0.5 to +7.0V
V_{IN}	DC Input Voltage	-1.5 to $V_{CC} + 1.5V$
V_{OUT}	DC Output Voltage	-0.5 to $V_{CC} + 0.5V$
I_{IK}, I_{OK}	Clamp Diode Current	$\pm 20mA$
I_{OUT}	DC Output Current, per pin	$\pm 35mA$
I_{CC}	DC V_{CC} or GND Current, per pin	$\pm 70mA$
T_{STG}	Storage Temperature Range	-65°C to +150°C
P_D	Power Dissipation Note 2 S.O. Package only	600mW 500mW
T_L	Lead Temperature (Soldering 10 seconds)	260°C

Note:

1. Unless otherwise specified all voltages are referenced to ground.
2. Power Dissipation temperature derating — plastic "N" package: -12mW/°C from 65°C to 85°C.

Recommended Operating Conditions

The Recommended Operating Conditions table defines the conditions for actual device operation. Recommended operating conditions are specified to ensure optimal performance to the datasheet specifications. Fairchild does not recommend exceeding them or designing to absolute maximum ratings.

Symbol	Parameter	Min.	Max.	Units
V_{CC}	Supply Voltage	4.5	5.5	V
V_{IN}, V_{OUT}	DC Input or Output Voltage	0	V_{CC}	V
T_A	Operating Temperature Range	-40	+85	°C
t_r, t_f	Input Rise and Fall Times		500	ns

DC Electrical Characteristics $V_{CC} = 5V \pm 10\%$ (unless otherwise specified)

Symbol	Parameter	Conditions	$T_A = 25^\circ\text{C}$		$T_A = -40$	$T_A = -55$	Units
			Typ.	Guaranteed Limits			
V_{IH}	Minimum HIGH Level Input Voltage			2.0	2.0	2.0	V
V_{IL}	Maximum LOW Level Input Voltage			0.8	0.8	0.8	V
V_{OH}	Minimum HIGH Level Output Voltage	$V_{IN} = V_{IH}$ or V_{IL} : $ I_{OUT} = 20\mu\text{A}$	V_{CC}	$V_{CC} - 0.1$	$V_{CC} - 0.1$	$V_{CC} - 0.1$	V
		$ I_{OUT} = 6.0\text{mA}$, $V_{CC} = 4.5\text{V}$	4.2	3.98	3.84	3.7	
		$ I_{OUT} = 7.2\text{mA}$, $V_{CC} = 5.5\text{V}$	5.2	4.98	4.84	4.7	
V_{OL}	Maximum LOW Level Voltage	$V_{IN} = V_{IH}$ or V_{IL} : $ I_{OUT} = 20\mu\text{A}$	0	0.1	0.1	0.1	V
		$ I_{OUT} = 6.0\text{mA}$, $V_{CC} = 4.5\text{V}$	0.2	0.26	0.33	0.4	
		$ I_{OUT} = 7.2\text{mA}$, $V_{CC} = 5.5\text{V}$	0.2	0.26	0.33	0.4	
I_{IN}	Maximum Input Current	$V_{IN} = V_{CC}$ or GND		± 0.1	± 1.0	± 1.0	μA
I_{OZ}	Maximum 3-STATE Output Leakage Current	$V_{OUT} = V_{CC}$ or GND, $\overline{G} = V_{IH}$		± 0.5	± 5.0	± 10	μA
I_{CC}	Maximum Quiescent Supply Current	$V_{IN} = V_{CC}$ or GND, $I_{OUT} = 0\mu\text{A}$		8.0	80	160	μA
		$V_{IN} = 2.4\text{V}$ or $0.5\text{V}^{(3)}$	0.6	1.0	1.3	1.5	mA

Note:3. Measured per input. All other inputs at V_{CC} or GND.

AC Electrical CharacteristicsMM74HCT540: $V_{CC} = 5.0V$, $t_r = t_f = 6ns$, $T_A = 25^\circ C$, (unless otherwise specified).

Symbol	Parameter	Conditions	Typ.	Guaranteed Limits	Units
t_{PHL} , t_{PLH}	Maximum Output Propagation Delay	$C_L = 45pF$	12	18	ns
t_{PZL} , t_{PZH}	Maximum Output Enable Time	$C_L = 45pF$, $R_L = 1k\Omega$	14	28	ns
t_{PLZ} , t_{PHZ}	Maximum Output Disable Time	$C_L = 5pF$, $R_L = 1k\Omega$	13	25	ns

AC Electrical CharacteristicsMM74HCT540: $V_{CC} = 5.0V \pm 10\%$, $t_r = t_f = 6ns$ (unless otherwise specified).

Symbol	Parameter	Conditions	$T_A = 25^\circ C$		$T_A = -40$ to $85^\circ C$	$T_A = -55$ to $125^\circ C$	Units	
			Typ.	Guaranteed Limits				
t_{PHL} , t_{PLH}	Maximum Output Propagation Delay	$C_L = 50pF$	12	20	25	30	ns	
		$C_L = 150pF$	22	30	38	45		
t_{PZH} , t_{PZL}	Maximum Output Enable Time	$R_L = 1k\Omega$	$C_L = 50pF$	15	30	38	45	ns
			$C_L = 150pF$	20	40	50	60	
t_{PHZ} , t_{PLZ}	Maximum Output Disable Time	$R_L = 1k\Omega$, $C_L = 50pF$	15	30	38	45	ns	
t_{THL} , t_{TLH}	Maximum Output Rise and Fall Time	$C_L = 50pF$	6	12	15	18	ns	
C_{IN}	Maximum Input Capacitance		5	10	10	10	pF	
C_{OUT}	Maximum Output Capacitance		15	20	20	20	pF	
C_{PD}	Power Dissipation Capacitance ⁽⁴⁾	(per output)	$\overline{G} = V_{CC}$	12			pF	
			$\overline{G} = GND$	50				

Note:

4. C_{PD} determines the no load dynamic power consumption, $P_D = C_{PD} V_{CC}^2 f + I_{CC} V_{CC}$, and the no load dynamic current consumption, $I_S = C_{PD} V_{CC} f + I_{CC}$.

AC Electrical CharacteristicsMM74HCT541: $V_{CC} = 5.0V$, $t_r = t_f = 6ns$, $T_A = 25^\circ C$, (unless otherwise specified).

Symbol	Parameter	Conditions	Typ.	Guaranteed Limits	Units
t_{PHL} , t_{PLH}	Maximum Output Propagation Delay	$C_L = 45pF$	13	20	ns
t_{PZL} , t_{PZH}	Maximum Output Enable Time	$C_L = 45pF$, $R_L = 1k\Omega$	17	28	ns
t_{PLZ} , t_{PHZ}	Maximum Output Disable Time	$C_L = 5pF$, $R_L = 1k\Omega$	15	25	ns

AC Electrical CharacteristicsMM74HCT541: $V_{CC} = 5.0V \pm 10\%$, $t_r = t_f = 6ns$ (unless otherwise specified).

Symbol	Parameter	Conditions	$T_A = 25^\circ C$		$T_A = -40$ to $85^\circ C$	$T_A = -55$ to $125^\circ C$	Units	
			Typ.	Guaranteed Limits				
t_{PHL} , t_{PLH}	Maximum Output Propagation Delay	$C_L = 50pF$	14	23	29	34	ns	
		$C_L = 150pF$	17	33	42	49		
t_{PZH} , t_{PZL}	Maximum Output Enable Time	$R_L = 1k\Omega$	$C_L = 50pF$	17	30	38	45	ns
			$C_L = 150pF$	22	40	50	60	
t_{PHZ} , t_{PLZ}	Maximum Output Disable Time	$R_L = 1k\Omega$, $C_L = 50pF$	17	30	38	45	ns	
t_{THL} , t_{TLH}	Maximum Output Rise and Fall Time	$C_L = 50pF$	6	12	15	18	ns	
C_{IN}	Maximum Input Capacitance		5	10	10	10	pF	
C_{OUT}	Maximum Output Capacitance		15	20	20	20	pF	
C_{PD}	Power Dissipation Capacitance ⁽⁵⁾	(per output)	$\bar{G} = V_{CC}$	12			pF	
			$\bar{G} = GND$	45				

Note:

5. C_{PD} determines the no load dynamic power consumption, $P_D = C_{PD} V_{CC}^2 f + I_{CC} V_{CC}$, and the no load dynamic current consumption, $I_S = C_{PD} V_{CC} f + I_{CC}$.

Physical Dimensions

Dimensions are in inches (millimeters) unless otherwise noted.

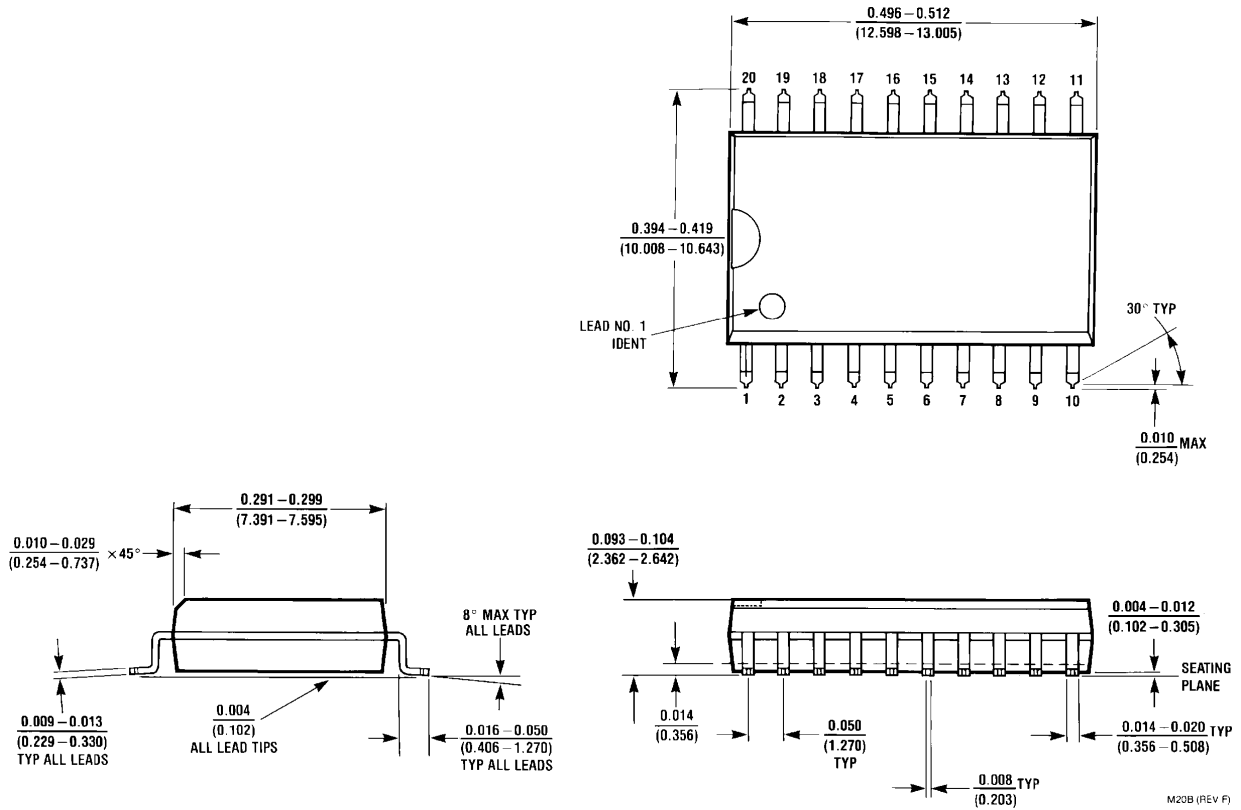
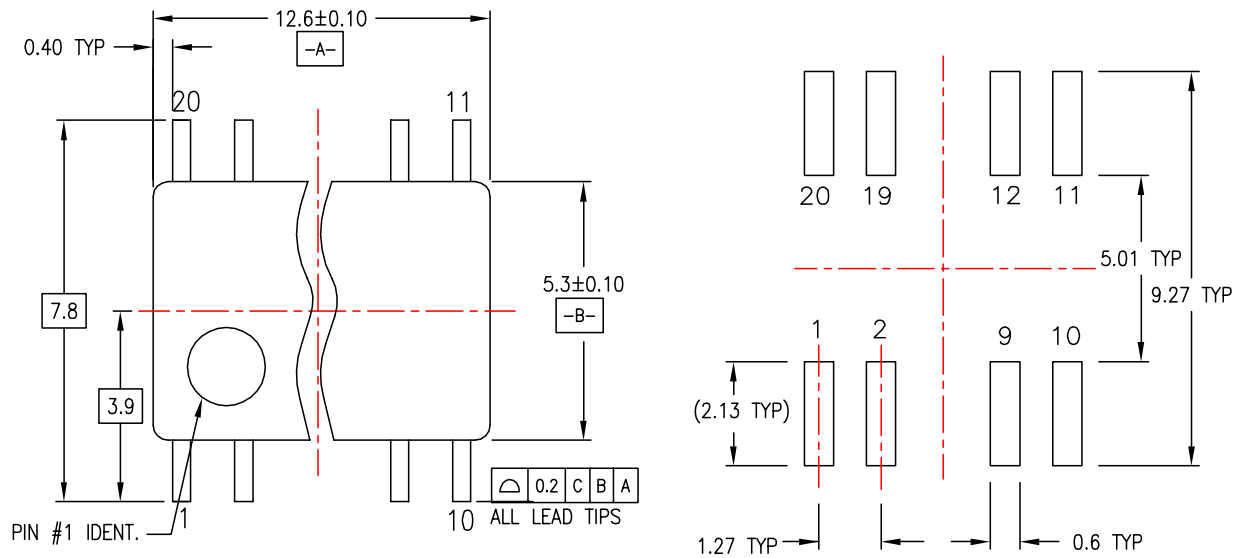


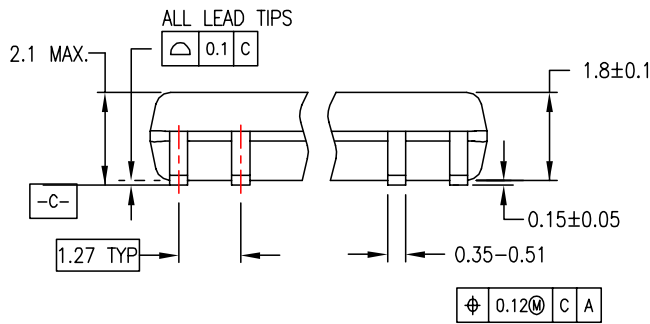
Figure 1. 20-Lead Small Outline Integrated Circuit (SOIC), JEDEC MS-013, 0.300" Wide Package Number M20B

Physical Dimensions (Continued)

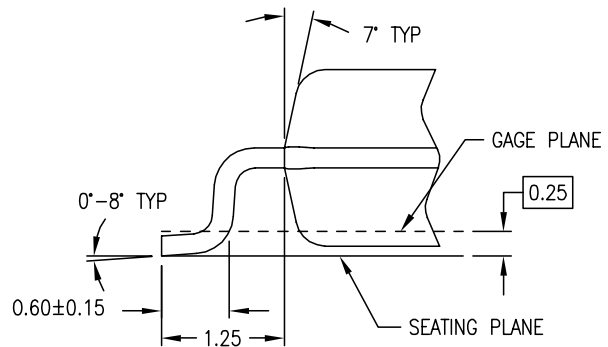
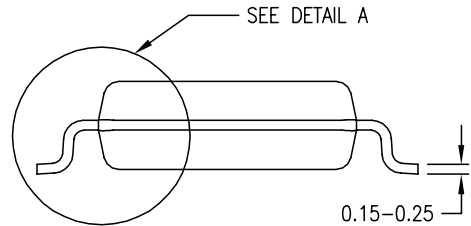
Dimensions are in millimeters unless otherwise noted.



LAND PATTERN RECOMMENDATION



DIMENSIONS ARE IN MILLIMETERS



DETAIL A

NOTES:

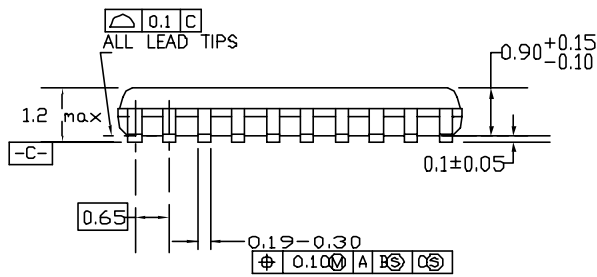
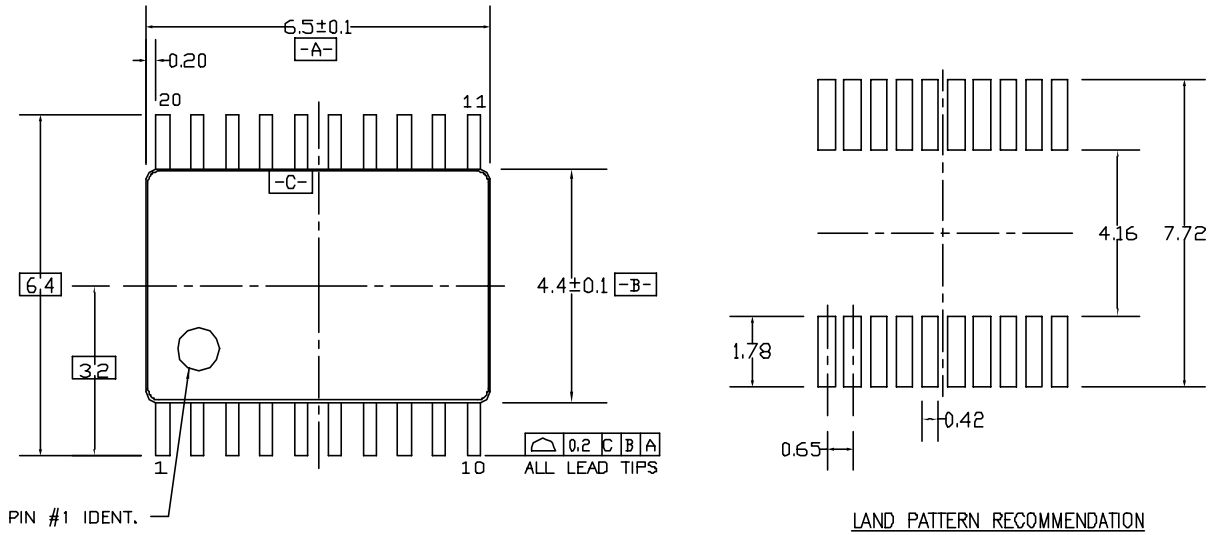
- A. CONFORMS TO EIAJ EDR-7320 REGISTRATION, ESTABLISHED IN DECEMBER, 1998.
- B. DIMENSIONS ARE IN MILLIMETERS.
- C. DIMENSIONS ARE EXCLUSIVE OF BURRS, MOLD FLASH, AND TIE BAR EXTRUSIONS.

M20DREV C

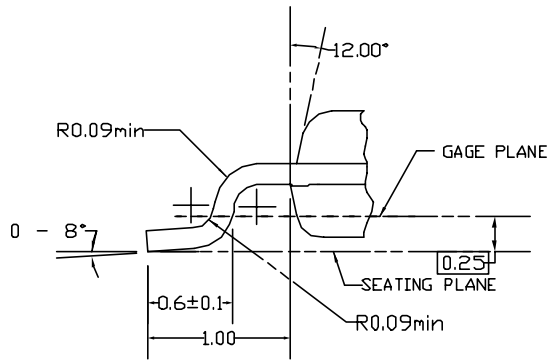
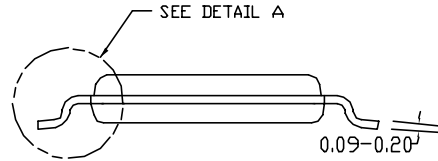
Figure 2. 20-Lead Small Outline Package (SOP), EIAJ TYPE II, 5.3mm Wide Package Number M20D

Physical Dimensions (Continued)

Dimensions are in millimeters unless otherwise noted.



DIMENSIONS ARE IN MILLIMETERS



DETAIL A

NOTES:

- A. CONFORMS TO JEDEC REGISTRATION MO-153, VARIATION AC, REF NOTE 6, DATE 7/93.
- B. DIMENSIONS ARE IN MILLIMETERS.
- C. DIMENSIONS ARE EXCLUSIVE OF BURRS, MOLDS FLASH, AND THE BAR EXTRUSIONS.
- D. DIMENSIONS AND TOLERANCES PER ANSI Y14.5M, 1982.

MTC20REV D1

Figure 3. 20-Lead Thin Shrink Small Outline Package (TSSOP), JEDEC MO-153, 4.4mm Wide Package Number MTC20

Physical Dimensions (Continued)

Dimensions are in inches (millimeters) unless otherwise noted.

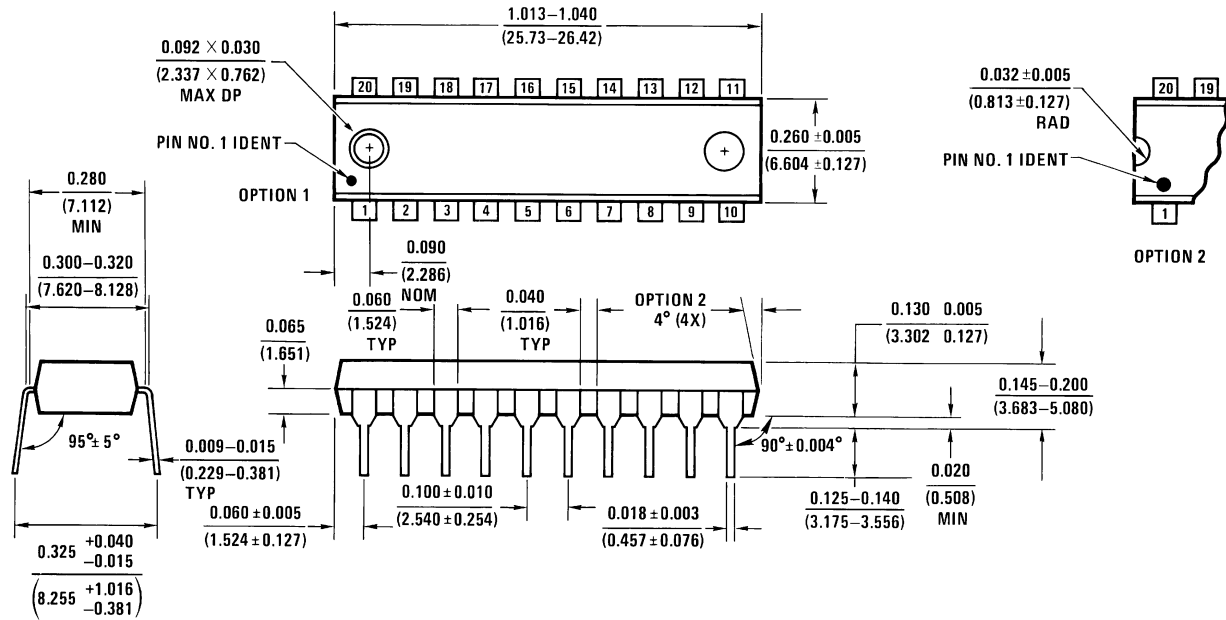


Figure 4. 20-Lead Plastic Dual-In-Line Package (PDIP), JEDEC MS-001, 0.300" Wide Package Number N20A



TRADEMARKS

The following are registered and unregistered trademarks and service marks Fairchild Semiconductor owns or is authorized to use and is not intended to be an exhaustive list of all such trademarks

ACEx®	Green FPS™ e-Series™	Power-SPM™	SyncFET™
Build it Now™	GTO™	PowerTrench®	The Power Franchise®
CorePLUS™	<i>i-Lo</i> ™	Programmable Active Droop™	 ™
CROSSVOLT™	IntelliMAX™	QFET®	TinyBoost™
CTL™	ISOPLANAR™	QS™	TinyBuck™
Current Transfer Logic™	MegaBuck™	QT Optoelectronics™	TinyLogic®
EcoSPARK®	MICROCOUPLER™	Quiet Series™	TINYOPTO™
FACT Quiet Series™	MicroPak™	RapidConfigure™	TinyPower™
FACT®	Motion-SPM™	SMART START™	TinyPWM™
FAST®	OPTOLOGIC®	SPM®	TinyWire™
FastvCore™	OPTOPLANAR®	STEALTH™	μSerDes™
FPS™	PDP-SPM™	SuperFET™	UHC®
FRFET®	Power220®	SuperSOT™-3	UniFET™
Global Power Resource™	Power247®	SuperSOT™-6	VCX™
Green FPS™	POWEREDGE®	SuperSOT™-8	

DISCLAIMER

FAIRCHILD SEMICONDUCTOR RESERVES THE RIGHT TO MAKE CHANGES WITHOUT FURTHER NOTICE TO ANY PRODUCTS HEREIN TO IMPROVE RELIABILITY, FUNCTION, OR DESIGN. FAIRCHILD DOES NOT ASSUME ANY LIABILITY ARISING OUT OF THE APPLICATION OR USE OF ANY PRODUCT OR CIRCUIT DESCRIBED HEREIN; NEITHER DOES IT CONVEY ANY LICENSE UNDER ITS PATENT RIGHTS, NOR THE RIGHTS OF OTHERS. THESE SPECIFICATIONS DO NOT EXPAND THE TERMS OF FAIRCHILD'S WORLDWIDE TERMS AND CONDITIONS, SPECIFICALLY THE WARRANTY THEREIN, WHICH COVERS THESE PRODUCTS.

LIFE SUPPORT POLICY

FAIRCHILD'S PRODUCTS ARE NOT AUTHORIZED FOR USE AS CRITICAL COMPONENTS IN LIFE SUPPORT DEVICES OR SYSTEMS WITHOUT THE EXPRESS WRITTEN APPROVAL OF FAIRCHILD SEMICONDUCTOR CORPORATION.

As used herein:

- Life support devices or systems are devices or systems which, (a) are intended for surgical implant into the body, or (b) support or sustain life, and (c) whose failure to perform when properly used in accordance with instructions for use provided in the labeling, can be reasonably expected to result in significant injury to the user.
- A critical component is any component of a life support device or system whose failure to perform can be reasonably expected to cause the failure of the life support device or system, or to affect its safety or effectiveness.

PRODUCT STATUS DEFINITIONS

Definition of Terms

Datasheet Identification	Product Status	Definition
Advance Information	Formative or In Design	This datasheet contains the design specifications for product development. Specifications may change in any manner without notice.
Preliminary	First Production	This datasheet contains preliminary data; supplementary data will be published at a later date. Fairchild Semiconductor reserves the right to make changes at any time without notice to improve design.
No Identification Needed	Full Production	This datasheet contains final specifications. Fairchild Semiconductor reserves the right to make changes at any time without notice to improve design.
Obsolete	Not In Production	This datasheet contains specifications on a product that has been discontinued by Fairchild semiconductor. The datasheet is printed for reference information only.

Rev. I28