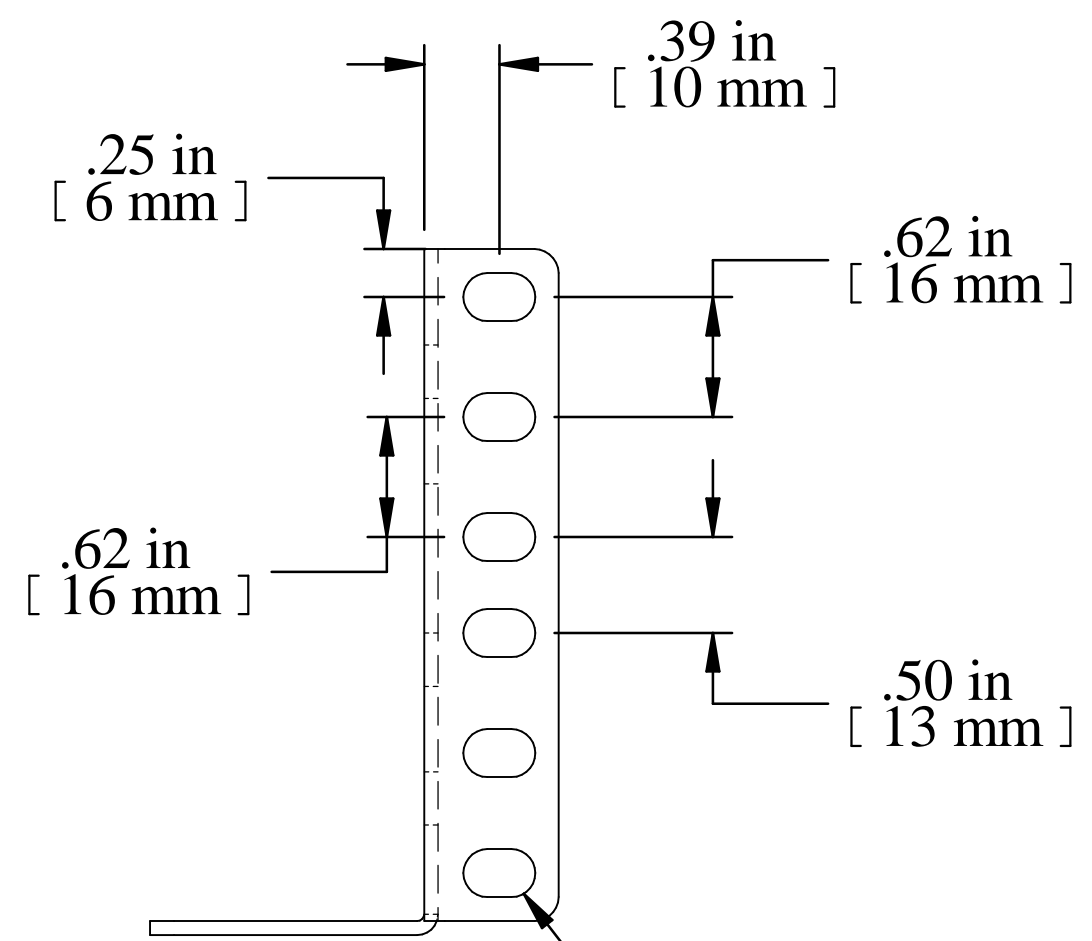
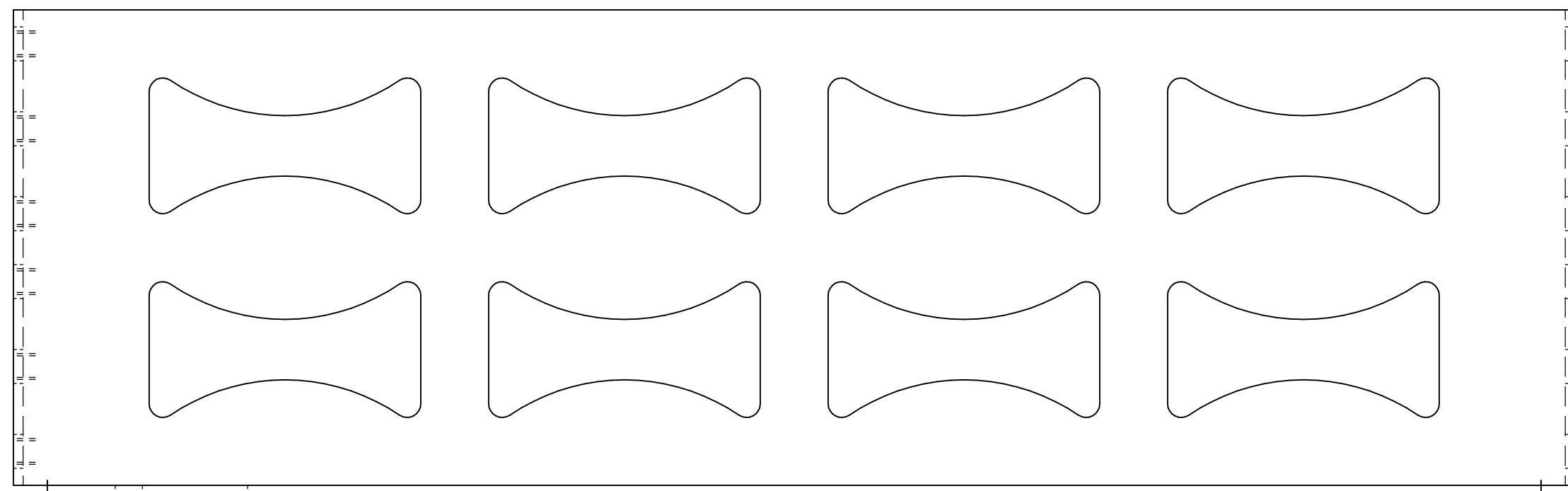
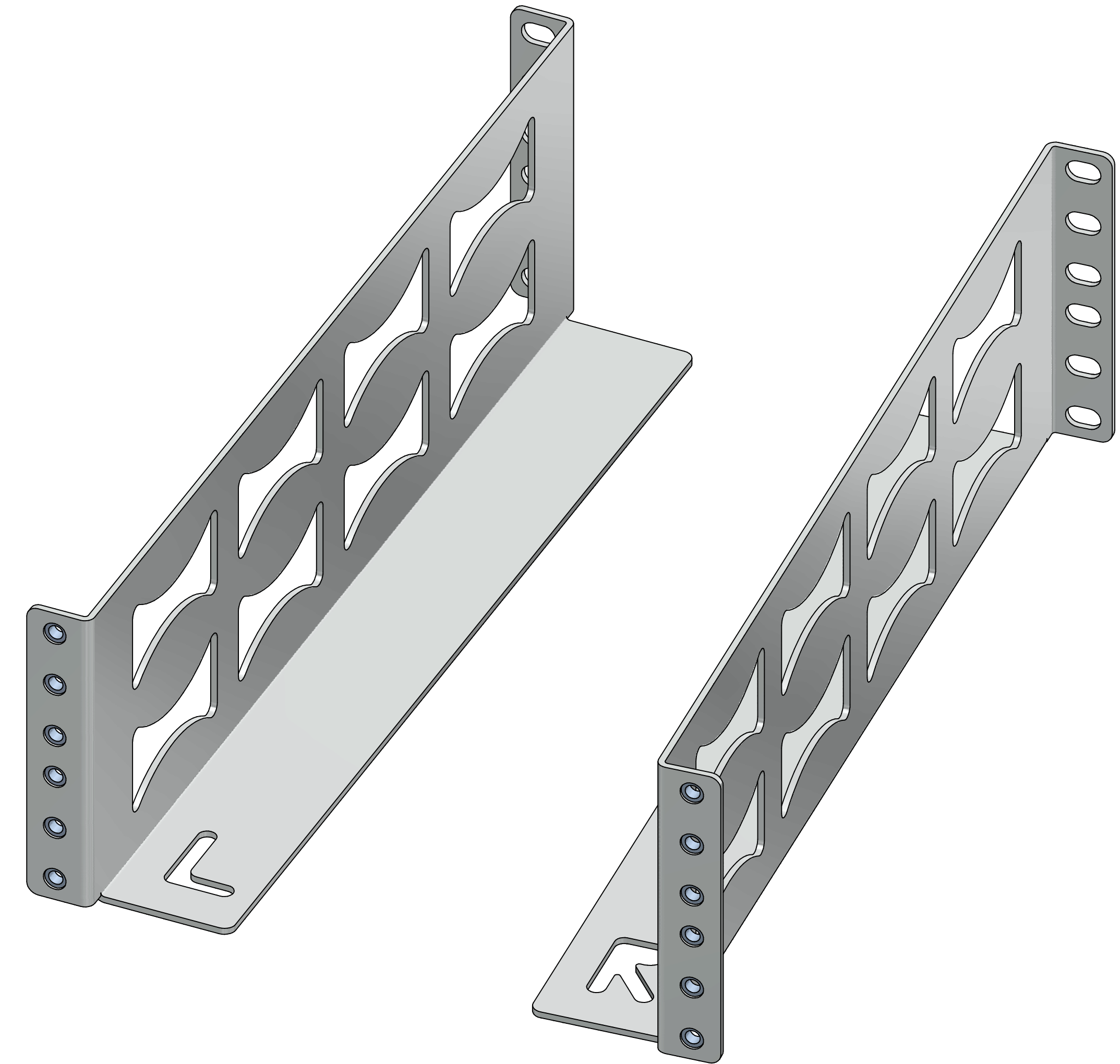


10-32 PRE-INSTALLED  
PEM NUTS



6X  
Ø0.250 X 0.375  
OBLONG



Sold with 2 Right and 2 Left

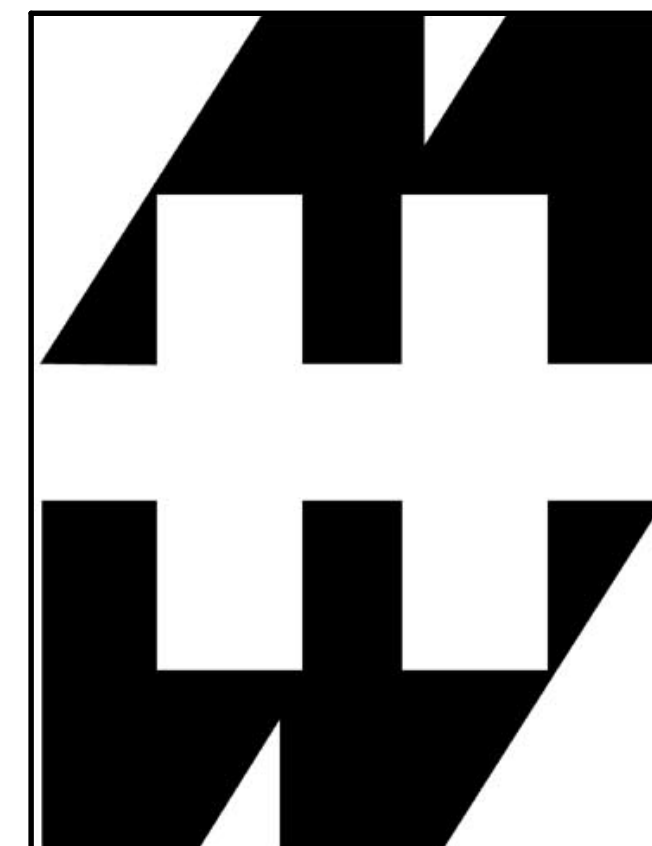
PART NUMBERS

RDAB2U26	PAINTED BLACK SMOOTH
----------	----------------------

NOTES

Sold with 2 Right and 2 Left  
10-32 X 5/8 Pan Head Screw (Qty. 8) included  
10-32 Pem Nuts installed for easy mounting

Data subject to change without notice. Isometric drawing not to scale.



**HAMMOND  
MANUFACTURING™**

[www.hammondmfg.com](http://www.hammondmfg.com)

PART NO. RDAB2U26