

ADVANCE INFORMATION



**Advanced
Micro
Devices**

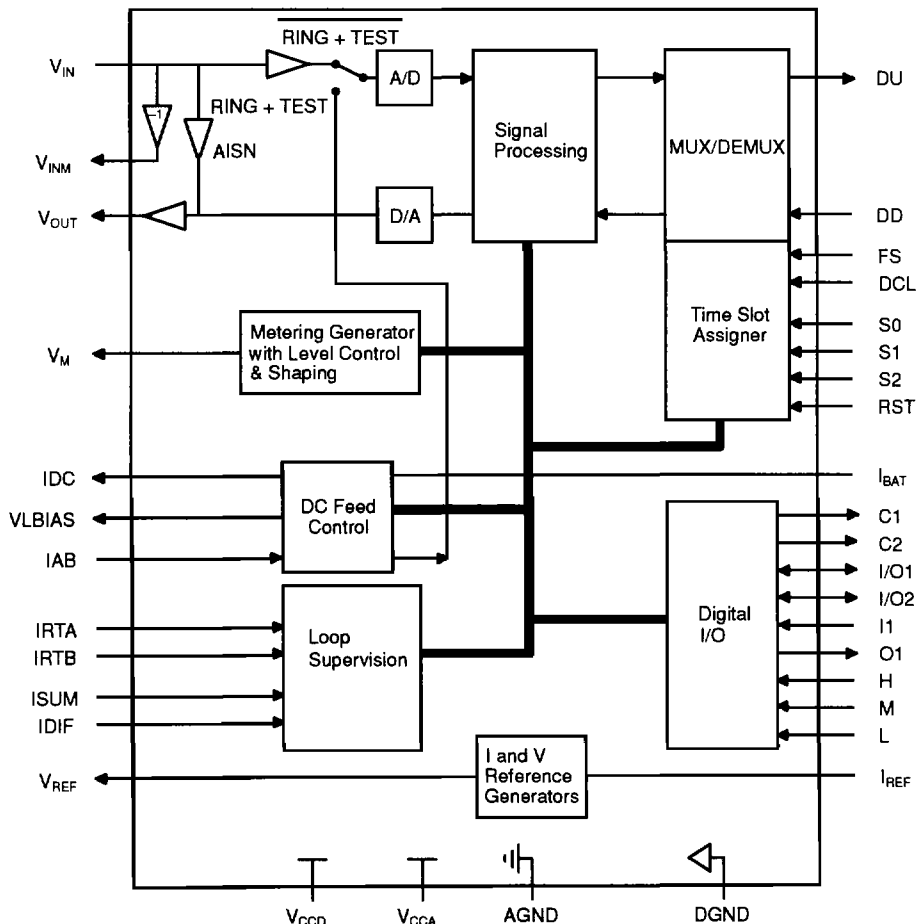
Am79C202

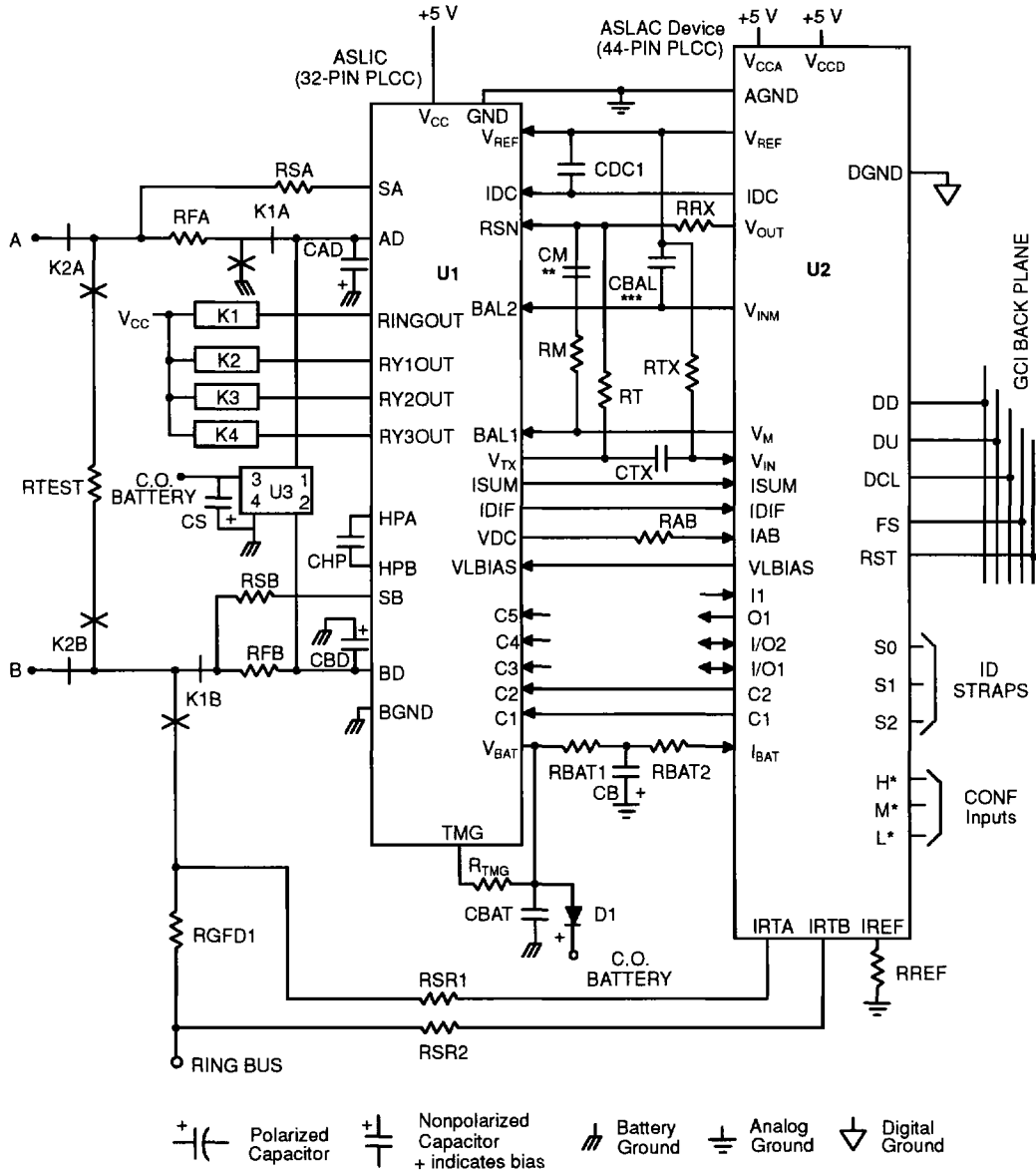
Advanced Subscriber Line Audio Processing Circuit (ASLAC™) Device

DISTINCTIVE CHARACTERISTICS

- Transmission and DC feed characteristics software programmable
- Single channel architecture
- Normal and silent polarity reversal
- Metering generation, balance, and ramp control
- Exceeds LSSGR and CCITT CO requirements
- Built-in voice path test modes
- Single hardware design meets multiple country requirements through software programming
- GCI Interface; contact factory for PCM interface
- Analog and digital hybrid balance capability
- Adaptive balance
- Performs all the functions of a codec filter

BLOCK DIAGRAM





Notes:

- *These pins can be removed for 32-pin option.
- **Remove these components if metering is not needed.
- ***Remove CBAL if silent polarity reversal is not needed.