

# 850NM WINDOW MULTI-MODE SINGLE CHANNEL INTEGRATED TAP MONITORS

## ITMSMM Series

### Product Description

Oplink's Multi-mode Single Channel Integrated Tap Monitor (ITMS) is a hybrid component that integrates a flat spectral response of a thin-film tap with a Si photodiode for power monitoring applications in 850nm window. The ITMS minimizes component assembly costs and module footprint while increasing module design efficiency by facilitating fiber management.

The ITMS integrates the functionality of an optical coupler and a photodiode while delivering low insertion loss and low dark current with high temperature stability over a wide wavelength range. It is compact and easy to mount on a PCB board for module and network system use. Applications include power monitoring, optical network switching/protection monitoring in GigE networks.

Oplink can provide customized designs to meet specialized feature applications. Also, Oplink offers modular assemblies that integrate other components to form a full function module or subsystem.



### Performance Specification

Parameters	Specification			Unit
	Min.	Typ.	Max.	
Operating Wavelength Range	770 ~ 860			nm
Insertion Loss <sup>1</sup>	5% Tap		0.8	dB
Return loss <sup>1</sup>	30			dB
PD Responsivity (relative to nominal input power)	15		36	mA/W
Dark Current	-5V bias, 23°C	0.05	2	nA
	-5V bias, 70°C		15	nA
3-dB Bandwidth	-5V bias, 50Ω load	10		MHz
Operating Temperature Range	0 to +70			°C
Storage Temperature Range	-40 to +85			°C
Fiber Type	Multi-mode 50μm or 62.5μm core			
Package Dimensions	(Ø)5.6 x (L)32			mm

Notes:

Based on FOTP-34 method A, steady state equilibrium launch conditions.

1) Excluding connectors.

### Features

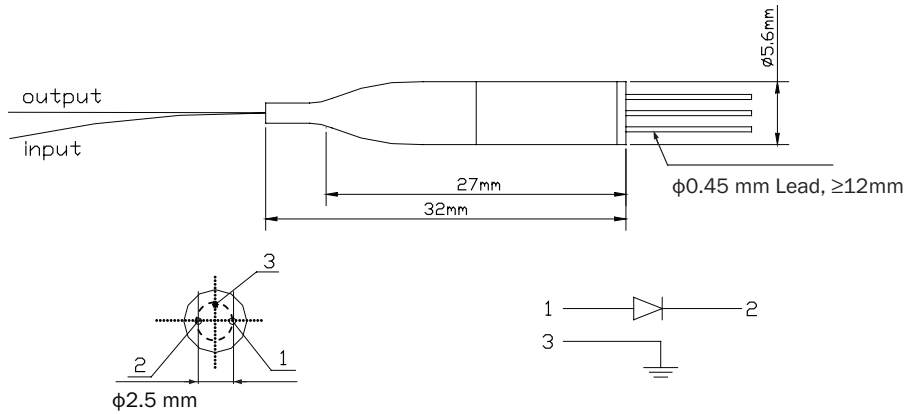
- ◆ 3-pin Package Easily Mounted on a PCB
- ◆ Low Dark Current
- ◆ Various Tap Ratios Available
- ◆ High Temperature Stability with Hermetically Sealed Photodiode

### Applications

- ◆ 850nm Window Power Monitoring

**ITMSMM SERIES**

**Mechanical Drawing / Package Dimensions (dimension in mm)**

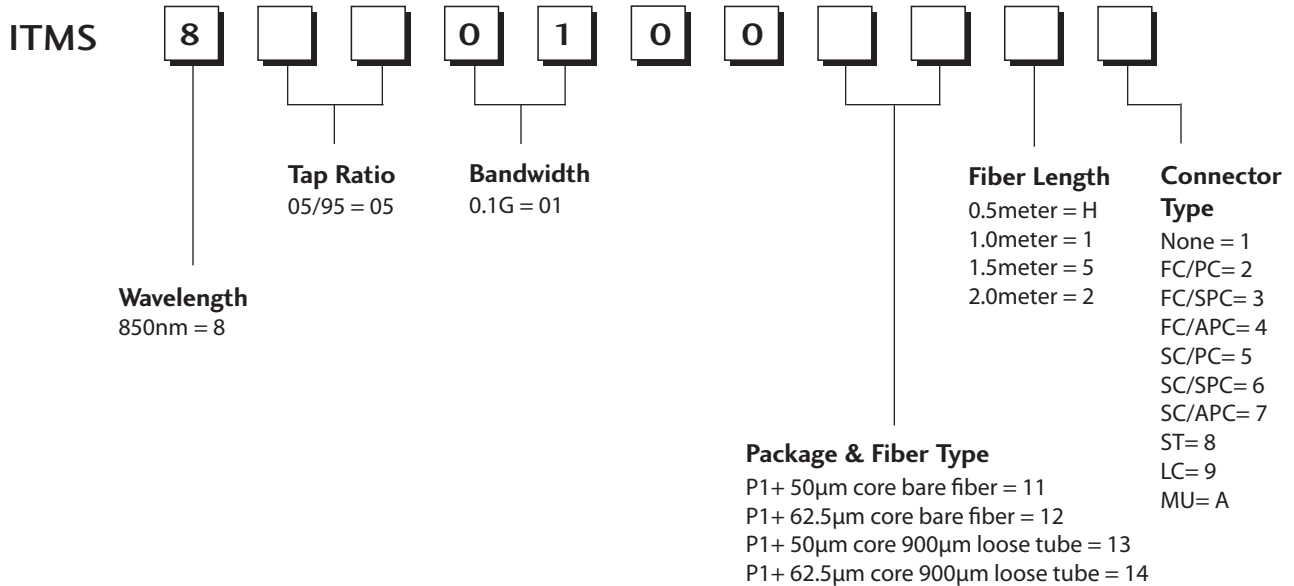


Standard Package Pin Assignment

- Pin 1: Anode
- Pin 2: Cathode
- Pin 3: Case Ground

**Ordering Information**

Oplink can provide a remarkable range of customized optical solutions. For detail, please contact Oplink's OEM design team or account manager for your requirements and ordering information (510) 933-7200.



\* The tolerance of fiber length is +/-0.1m.  
\* **RoHS:** Add "G" to the end of the above PN for RoHS 6