

SPECIFICATIONS

Mechanical

Mating Force: 4.50Kg (9.91Lb) max.
Unmating Force: 0.90~2.70Kg (1.98~5.95Lb)
Durability: 500 Cycles

Electrical

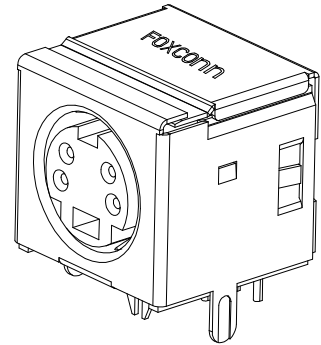
Voltage Rating: 30V
Current Rating: 1A
Contact Resistance: 30mΩ max.
Dielectric Withstanding Voltage: 750V AC/1min min.
Insulation Resistance: 1000MΩ min.

Physical

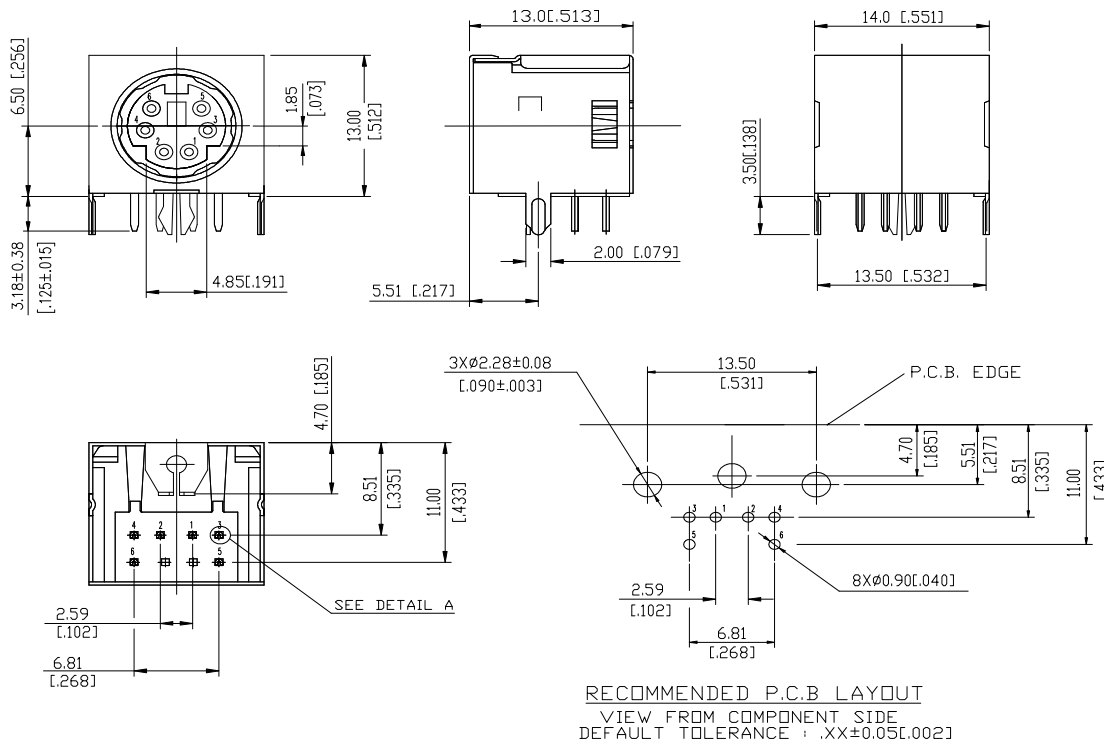
Housing: Thermoplastic, UL 94V-0 rated
Contact: Copper alloy
Shell: Copper alloy
Plating: See "ORDERING INFORMATION"
Operating Temperature: -55°C to +85

Mini Din Connector

MH Series
Single, R/A, T/H,
Green,
6 Pos.



DRAWING



ORDERING INFORMATION

PROD.NO.: MH 1 1 0 6 3 - PH1 - 4 F

TERMINATION TYPE: 1=Right Angle LEAD FREE CODE
 CONTACT DESIGN TYPE: 1=Female PACKAGE CODE
 BODY LENGTH TYPE: 0=Standard 13mm EXTENSION CODE
 POS. NO. 6=6 Pos. CONTACT PLATING CODE
 3=30u" Gold Plating