



- ◇ Low Forward Voltage Schottky Rectifier
- ◇ SOD323F Thin SMD package (Fig-1)
- ◇ RoHS compliant / Green EMC
- ◇ Matte Tin (Sn) Lead finish
- ◇ Moisture Level Sensitivity 1
- ◇ Cathode Band / Device marking

Device Marking Code	
SD103AM3	CA
SD103BM3	CB
SD103CM3	CC

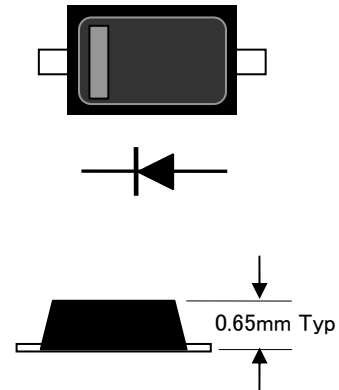


Fig.-1 Package SOD323F

**Absolute Maximum Ratings (Ta = 25 °C)**

Symbol	Parameter	Value			Units
		SD103AM3	SD103BM3	SD103CM3	
V <sub>RRM</sub>	Repetitive Peak Reverse Voltage	40	30	20	V
V <sub>R</sub>	Reverse Voltage	28	21	14	V
I <sub>O</sub>	Continuous Forward Current	350			mA
I <sub>FSM</sub>	Non-Repetitive Peak Forward Current *1	1.5			A
P <sub>D</sub>	Power Dissipation	200			mW
T <sub>J</sub>	Junction Temperature	125			°C
T <sub>STG</sub>	Storage Temperature	-55 to +125			°C

\*1 8.3 ms single half sine-wave

**Electrical Characteristics (Ta = 25 °C)**

Symbol	Parameter	Conditions	Min	Typ	Max	Units
BV <sub>R</sub>	Breakdown Voltage	SD103AM3 I <sub>R</sub> = 10 μA	40			V
		SD103BM3 I <sub>R</sub> = 10 μA	30			
		SD103CM3 I <sub>R</sub> = 10 μA	20			
I <sub>R</sub>	Reverse Current	SD103AM3 V <sub>R</sub> = 30V				μA
		SD103BM3 V <sub>R</sub> = 20V			5	
		SD103CM3 V <sub>R</sub> = 10V				
V <sub>F</sub>	Forward Voltage	I <sub>F</sub> = 20mA			0.37	V
		I <sub>F</sub> = 200mA			0.60	V
C	Capacitance	V <sub>R</sub> = 0V, f = 1MHz		50		pF



**Ordering Information**

Device	Package	Shipping	Tape wide	Emboss pitch	Tape specification	Notes
SD103AM3 SD103BM3 SD103CM3	SOD323F	Tape & Reel 3000pcs /7" Reel	8 mm	4 mm	Conductive	

**Package Dimensions**

