

MPMT Manual



ST Series



FEATURES

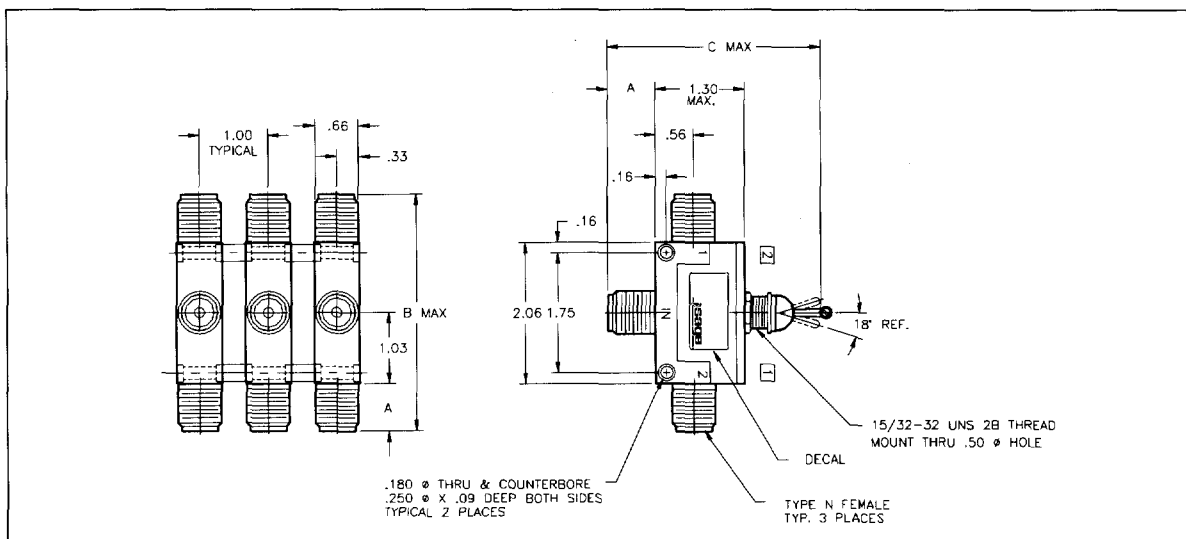
- Low cost
- Compact
- Can easily be ganged for multi-pole switching

SPECIFICATIONS

Frequency range (GHz)	DC to 5
VSWR, max	1.3
Insertion loss (dB)	< 0.3
Isolation (dB)	
DC to 1 GHz	> 50
DC to 5 GHz	> 30
Power Capability*	
Average (W) at 1 GHz	500
Peak (kW)	2.5
Minimum life	100,000 operations
Weight with Type N Connectors	3 ounces max

* See pages 116-118 to derate average power capability vs frequency and peak power vs altitude.

OUTLINES

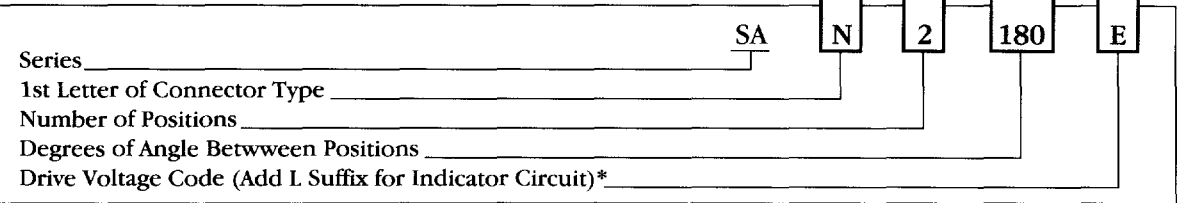


NOTE:

Model number suffix indicates number of units ganged. Maximum panel thickness = .25 inches (0,64 cm)
See page 41 for ordering code.

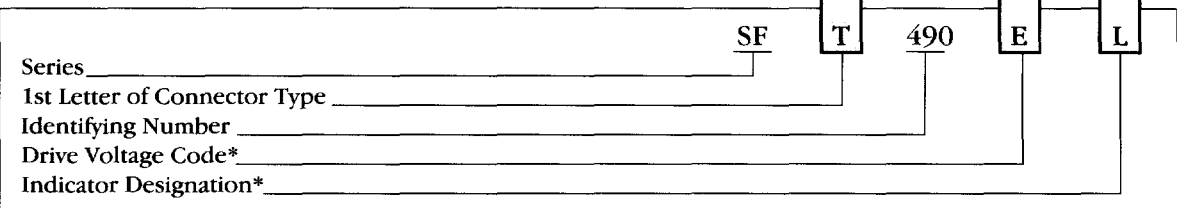
Connector type (female)	Model	Dimensions		
		A	B	C
SMA	STM2180A	.40 (1,02)	2.84 (7,21)	2.75 (6,99)
BNC	STB2180A	.530 (1,35)	3.110 (7,90)	2.980 (7,57)
TNC	STT2180A	.530 (1,35)	3.110 (7,90)	2.980 (7,57)
N	STN2180A	.69 (1,75)	3.41 (8,66)	3.03 (7,70)

SA SERIES ORDERING CODE



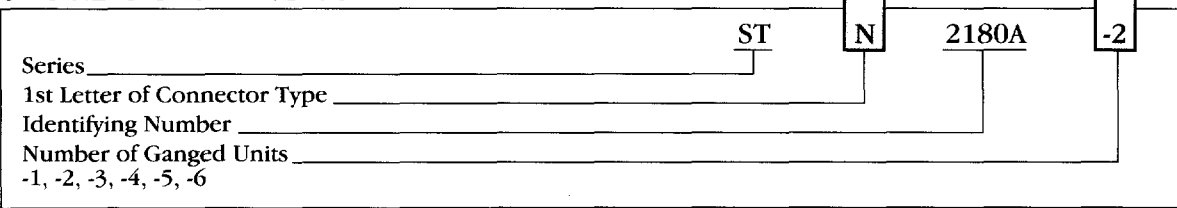
* Does not apply to manual switches

SF SERIES ORDERING CODE



* Does not apply to manual switches

ST SERIES ORDERING CODE



EM SWITCHES