

# MD3902/3905/3910

## 2/5/10MHz V/F Converters

Models MD3902/3905/3910 are high-performance, precision 2/5/10MHz full-scale voltage-to-frequency converters, intended for those applications that require maximum performance at the most economical cost. These converters feature >126/134/142-dB dynamic range,  $\pm 0.01/0.02/0.05\%$  linearity, and  $\pm 5\%$  overrange capability. The MD3902/3905/3910 devices feature overall performance and stability virtually identical to that of similar units costing 40% or more.

All models accept a  $-100\mu\text{V}$  to  $-10\text{V}$  full-scale single-ended analog input signal that is converted to an output signal whose frequency is proportional to the full-scale frequency, within  $0.01/0.02/0.05\%$  linearity, using the long-proven charge-balance technique. The devices offer 5% overrange capability, and buffered complimentary TTL-compatible frequency outputs that will drive capacitive loads as high as 50 pF.

Stability of the MD3902/3905/3910 Series is excellent for V/F converters in the respective price ranges, with  $10\mu\text{V}/^\circ\text{C}$  typical,  $30\mu\text{V}/^\circ\text{C}$  maximum offset and  $60\text{ ppm}/^\circ\text{C}$  typical,  $100\text{ ppm}/^\circ\text{C}$  maximum gain temperature coefficients. Warm-up time to specified accuracy is less than two minutes.

In applications where overall system throughput must be maintained at a specific rate, or where fixed offset or different scale voltages would be more convenient, custom frequencies and/or custom trimming can be easily accommodated. By increasing the full-scale output frequency by 10 to 20%, for example, additional time would be available for the system microprocessor to access the results of each conversion. Please contact the factory to discuss your specific timing requirements.

All models are packaged in a 1.31" x 0.69" x 0.22" 24-pin ceramic DIL package. Power dissipation is lower than 0.65/0.80/0.85 watts, and operation to specified accuracy is guaranteed over the  $0^\circ\text{C}$  to  $+70^\circ\text{C}$  temperature range.

### Features:

- **Outstanding Price/Performance Ratio**
- **Guaranteed Minimum/Maximum Specifications**
- **Wide Dynamic Range**  
>2,000,000/5,000,000/  
10,000,000:1  
>126/134/142 dB
- **Excellent Linearity**  
 $\pm 0.01/0.02/0.05\%$  FSR  
 $\pm 0.01/0.02/0.05\%$  of Input
- **Excellent Stability**  
10  $\mu\text{V}/^\circ\text{C}$  Offset  
60 ppm/ $^\circ\text{C}$  Gain
- **Voltage or Current Inputs**
- **Offset and Gain Error Trimmable to Zero**
- **Complementary Frequency Outputs-TTL/CMOS Compatible**
- **Small 24-Pin DIP**
- **Low Power <0.65/0.80/0.85W**

### Applications:

- **Precision Integration**
- **Digital Data Transmission**
- **Frequency Synthesis**
- **Analytical Instrumentation**
- **Medical Instrumentation**
- **Telemetry**
- **Data Recording**
- **Weighing Systems**
- **Tachometers**
- **Accelerometers**
- **Flow Meters**
- **Robotics**

*For additional information regarding Custom Microelectronic Products and Services, please contact Micro Networks at:*



**micro networks corporation**

324 Clark St., Worcester, MA 01606  
Tel. (508) 852-5400 • FAX (508) 853-8296  
E-Mail – sales@mnc.com  
Web Site – <http://www.mnc.com>

# MD3902/3905/3910

## 2/5/10MHz V/F Converters

### Absolute Maximum Ratings

|                             |                        |
|-----------------------------|------------------------|
| Operating Temperature Range | 0°C to +70°C           |
| Storage Temperature Range   | -65°C to +150°C        |
| +15V Supply (Pin 1)         | +15.45 Volts           |
| -15V Supply (Pin 5)         | -15.45 Volts           |
| +5V Supply (Pin 20)         | +5.25 Volts            |
| Analog Input (Pin 11)       | -15 Volts to +15 Volts |

### Ordering Information

|                  |        |        |        |
|------------------|--------|--------|--------|
| Part Number      | MD3902 | MD3905 | MD3910 |
| 2MHz Full-scale  | _____  |        |        |
| 5MHz Full-scale  | _____  |        |        |
| 10MHz Full-scale | _____  |        |        |

### Specifications

Specifications @  $T_A = +25^\circ\text{C}$ , Supplies =  $\pm 15\text{V}$  and  $+5\text{V}$ , unless otherwise indicated

|  |        | Min.  | Typ.         | Max.        | Units                        |
|--|--------|---|--------------|-------------|------------------------------|
| <b>ANALOG INPUTS</b>   |        |   |              |             |                              |
| Input Voltage Range  |        |   | 0 to -10     |             | Volts                        |
| Nonsaturating Overrange  |        | 5   |              |             | %                            |
| Configuration  |        |   | Single-Ended |             |                              |
| Input Impedance  | MD3902 |   | 15           |             | k $\Omega$                   |
|  | MD3905 |   | 6            |             | k $\Omega$                   |
|  | MD3910 |   | 6            |             | k $\Omega$                   |
| Offset Voltage (trimmable to zero)                                   |        |   | $\pm 7$      | $\pm 10$    | mV                           |
| <b>TRANSFER CHARACTERISTICS</b>                                      |        |   |              |             |                              |
| Full-Scale Output  | MD3902 | 2   |              |             | MHz                          |
|  | MD3905 | 5   |              |             | MHz                          |
|  | MD3910 | 10  |              |             | MHz                          |
| Transfer Function  | MD3902 | $2\text{MHz} \cdot (V_{IN} / 10\text{V})$   |              |             |                              |
|  | MD3905 | $5\text{MHz} \cdot (V_{IN} / 10\text{V})$   |              |             |                              |
|  | MD3910 | $10\text{MHz} \cdot (V_{IN} / 10\text{V})$  |              |             |                              |
| Gain Error (trimmable to zero)                                       |        |   |              | $\pm 1$     | %                            |
| Nonlinearity (max.)<br>(not specified under<br>overrange conditions) | MD3902 | $\pm 0.01\% \text{FS} \pm 0.01\% V_{IN}$    |              |             |                              |
|  | MD3905 | $\pm 0.02\% \text{FS} \pm 0.02\% V_{IN}$    |              |             |                              |
|  | MD3910 | $\pm 0.05\% \text{FS} \pm 0.05\% V_{IN}$    |              |             |                              |
| Full-Scale Step Response<br>(maximum; to 0.01%)                      | MD3902 | 2 cycles of new $f_{OUT} + 20\mu\text{sec}$ |              |             |                              |
|  | MD3905 | 2 cycles of new $f_{OUT} + 10\mu\text{sec}$ |              |             |                              |
|  | MD3910 | 2 cycles of new $f_{OUT} + 5\mu\text{sec}$  |              |             |                              |
| Overload Recovery  | MD3902 | 8 cycles of new $f_{OUT}$                   |              |             |                              |
|  | MD3905 | 10 cycles of new $f_{OUT}$                  |              |             |                              |
|  | MD3910 | 12 cycles of new $f_{OUT}$                  |              |             |                              |
| <b>STABILITY</b>   |        |   |              |             |                              |
| Gain Temperature Coefficient   |        |   | 60           | 100         | ppm of FSR/ $^\circ\text{C}$ |
| Offset Temperature Coefficient                                       |        |   | 10           | 30          | ppm of FSR/ $^\circ\text{C}$ |
| Power Supply Rejection   | Gain   |   |              | 200         | ppm of FSR/%Vs               |
|  | Offset |   |              | 10          | $\mu\text{V}/\%Vs$           |
| Warm-up Time (to specified accuracy)                                 |        |   |              | 2           | Minutes                      |
| <b>OUTPUT</b>  |        |   |              |             |                              |
| Pulse Width  | MD3902 | 200   | 250          | 300         | nsec                         |
|  | MD3905 | 80  | 100          | 120         | nsec                         |
|  | MD3910 | 35  | 50           | 65          | nsec                         |
| Logic Levels: Logic "1"  |        | +3.5  | +4.0         | +4.5        | Volts                        |
| Logic "0" (3 mA sink)  |        |   |              | 0.4         | Volts                        |
| <b>POWER SUPPLY REQUIREMENTS</b>                                     |        |   |              |             |                              |
| $\pm 15\text{V}$ Supplies  |        | $\pm 14.55$                                 |              | $\pm 15.45$ | Volts                        |
| +5V Supply   |        | +4.75                                       |              | $\pm 5.25$  | Volts                        |
| +15V Current Drain   | MD3902 |   |              | 20          | mA                           |
|  | MD3905 |   |              | 30          | mA                           |
|  | MD3910 |   |              | 30          | mA                           |
| -15V Current Drain   |        |   |              | 10          | mA                           |
| +5V Current Drain  | MD3902 |   |              | 40          | mA                           |
|  | MD3905 |   |              | 40          | mA                           |
|  | MD3910 |   |              | 50          | mA                           |
| Power Dissipation  | MD3902 |   |              | 650         | mW                           |
|  | MD3905 |   |              | 800         | mW                           |
|  | MD3910 |   |              | 850         | mW                           |

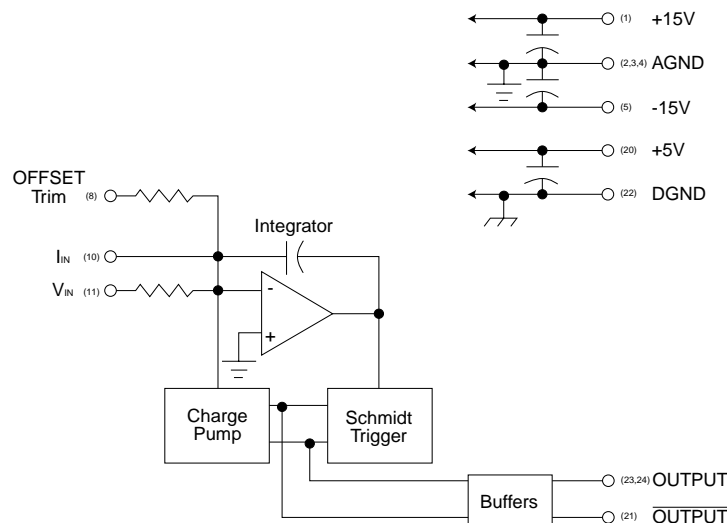
Specifications subject to change without notification as Micro Networks reserves the right to make improvements and changes in its products.



micro networks corporation

324 Clark St., Worcester, MA 01606  
 Tel. (508) 852-5400 • FAX (508) 853-8296  
 E-Mail – sales@mnc.com  
 Web Site – <http://www.mnc.com>

### Block Diagram



### USING THE MD39XX

**GENERAL CONSIDERATIONS** – Figure 2 depicts a typical circuit configuration for the MD39XX. The layout should be clean, with output pulses routed as far away from the input analog signals as possible. To obtain maximum performance, bypass capacitors, as shown in Figure 2, should be mounted right at the appropriate pins of the MD39XX.

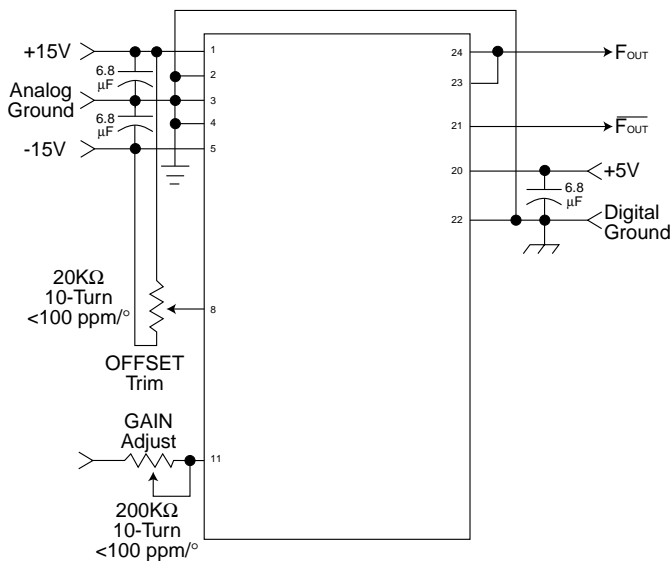


Figure 2. Typical Circuit Configuration.

**OFFSET AND GAIN TRIMMING** – The Offset adjustment potentiometer should be a 20k $\Omega$ , 10-turn unit. To ensure that the temperature coefficient of the potentiometer does not become significant relative to the overall offset tempco specification, a 100ppm or better potentiometer is recommended. With this pot in the circuit, initial offsets of up to  $\pm 10\text{mV}$  may be trimmed to zero.

The Gain adjustment potentiometer should be a 200 $\Omega$ , 10-turn unit with a recommended temperature coefficient of 100ppm or better. With this pot in the circuit, initial gain errors of up to  $\pm 2\%$  may be trimmed to zero.

**GROUNDING** – The Analog and Digital grounds are internally separated in the MD39XX. The use of ground plane is not necessary for proper operation of the MD39XX. However, a ground plane is recommended with any analog signal conditioning circuitry that may be used in front of the V/F, especially if this circuitry involves high gains. Any amplifiers used ahead of the MD39XX should be decoupled to eliminate potential problems with the high-frequency output of the V/F.

# MD3902/3905/3910

## 2/5/10MHz V/F Converters

### OFFSET AND GAIN CALIBRATION

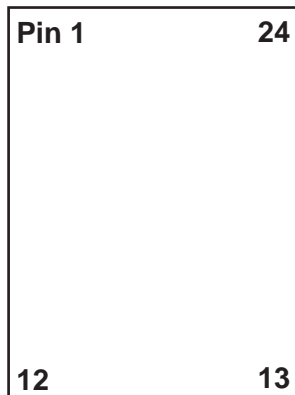
**OFFSET CALIBRATION** – Offset calibration should be performed prior to gain calibration. With a -10mV analog input signal at pin 11 of the MD39XX, adjust the Offset potentiometer until a frequency of 2.000/5.000/10.000kHz is observed on output pins 21, 23 or 24.

**GAIN CALIBRATION** – With a full scale analog input voltage of -10.00V on pin 11, adjust the Gain potentiometer until a full-scale frequency of 2.000/5.000/10.000MHz is observed on output pin 21, 23 or 24.

**N/C PINS** – Pins marked as No Connect have no electrical connection to the internal circuitry of the MD39XX.

**OUTPUT PINS** – Pins 23 and 24 are tied together internally. Either or both may be used as the source of the frequency output of the MD39XX, as long as the load specifications are not exceeded. Pin 21 provides a complementary signal relative to pins 23 and 24 with similar loading limits.

### Pin Designations



|                    |                   |
|--------------------|-------------------|
| 1 +15V Supply      | 24 Output         |
| 2 Analog Ground    | 23 Output         |
| 3 Analog Ground    | 22 Digital Ground |
| 4 Analog Ground    | 21 Output         |
| 5 -15V Supply      | 20 +5V Supply     |
| 6 No Connect       | 19 No Connect     |
| 7 No Connect       | 18 No Connect     |
| 8 Offset Trim      | 17 No Connect     |
| 9 No Connect       | 16 No Connect     |
| 10 I <sub>IN</sub> | 15 No Connect     |
| 11 V <sub>IN</sub> | 14 No Connect     |
| 12 No Connect      | 13 No Connect     |



micro networks corporation

324 Clark St., Worcester, MA 01606  
Tel. (508) 852-5400 • FAX (508) 853-8296  
E-Mail – sales@mnc.com  
Web Site – <http://www.mnc.com>

Revision 1 5/98 - 5M  
© Copyright 1998