



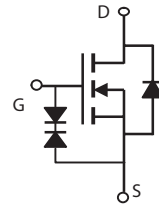
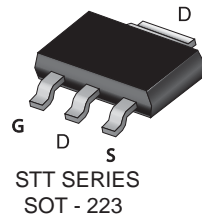
## N-Channel Logic Level Enhancement Mode Field Effect Transistor

### PRODUCT SUMMARY

| V <sub>DSS</sub> | I <sub>D</sub> | R <sub>DS(ON)</sub> (mΩ) Max |
|------------------|----------------|------------------------------|
| 40V              | 2.2A           | 250 @ V <sub>GS</sub> =10V   |
|                  |                | 350 @ V <sub>GS</sub> =4.5V  |

### FEATURES

- Super high dense cell design for low R<sub>DS(ON)</sub>.
- Rugged and reliable.
- Surface Mount Package.
- ESD Protected.



### ABSOLUTE MAXIMUM RATINGS (T<sub>A</sub>=25°C unless otherwise noted)

| Symbol                            | Parameter  | Limit                | Units |
|-----------------------------------|--|----------------------|-------|
| V <sub>DS</sub>                   | Drain-Source Voltage                             | 40                   | V     |
| V <sub>GS</sub>                   | Gate-Source Voltage                              | ±20                  | V     |
| I <sub>D</sub>                    | Drain Current-Continuous <sup>a d</sup>          | T <sub>A</sub> =25°C | 2.2   |
|                                   |  | T <sub>A</sub> =70°C | 1.8   |
| I <sub>DM</sub>                   | -Pulsed <sup>b</sup>                             | 14                   | A     |
| P <sub>D</sub>                    | Maximum Power Dissipation <sup>a</sup>           | T <sub>A</sub> =25°C | 3     |
|                                   |  | T <sub>A</sub> =70°C | 1.9   |
| T <sub>J</sub> , T <sub>STG</sub> | Operating Junction and Storage Temperature Range | -55 to 150           | °C    |

### THERMAL CHARACTERISTICS

|                  |  |    |      |
|------------------|--|----|------|
| R <sub>θJA</sub> | Thermal Resistance, Junction-to-Ambient <sup>a</sup> | 42 | °C/W |
|------------------|--|----|------|

# STT468A

Ver 1.0

## ELECTRICAL CHARACTERISTICS (T<sub>A</sub>=25°C unless otherwise noted)

| Symbol  | Parameter                        | Conditions  | Min | Typ  | Max | Units |
|---|----------------------------------|---|-----|------|-----|-------|
| <b>OFF CHARACTERISTICS</b>                                    |                                  |   |     |      |     |       |
| BV <sub>DSS</sub>   | Drain-Source Breakdown Voltage   | V <sub>GS</sub> =0V , I <sub>D</sub> =250uA                         | 40  |      |     | V     |
| I <sub>DSS</sub>  | Zero Gate Voltage Drain Current  | V <sub>DS</sub> =32V , V <sub>GS</sub> =0V                          |     |      | 1   | uA    |
| I <sub>GSS</sub>  | Gate-Body Leakage Current        | V <sub>GS</sub> = ±20V , V <sub>DS</sub> =0V                        |     |      | ±10 | uA    |
| <b>ON CHARACTERISTICS</b>                                     |                                  |   |     |      |     |       |
| V <sub>GS(th)</sub>   | Gate Threshold Voltage           | V <sub>DS</sub> =V <sub>GS</sub> , I <sub>D</sub> =250uA            | 1   | 2    | 3   | V     |
| R <sub>DS(ON)</sub>   | Drain-Source On-State Resistance | V <sub>GS</sub> =10V , I <sub>D</sub> =1.1A                         |     | 200  | 250 | m ohm |
|   |                                  | V <sub>GS</sub> =4.5V , I <sub>D</sub> =0.9A                        |     | 280  | 350 | m ohm |
| g <sub>FS</sub>   | Forward Transconductance         | V <sub>DS</sub> =10V , I <sub>D</sub> =1.1A                         |     | 2.6  |     | S     |
| <b>DYNAMIC CHARACTERISTICS <sup>c</sup></b>                   |                                  |   |     |      |     |       |
| C <sub>ISS</sub>  | Input Capacitance                | V <sub>DS</sub> =20V, V <sub>GS</sub> =0V<br>f=1.0MHz               |     | 41   |     | pF    |
| C <sub>OSS</sub>  | Output Capacitance               |   |     | 18   |     | pF    |
| C <sub>RSS</sub>  | Reverse Transfer Capacitance     |   |     | 9    |     | pF    |
| <b>SWITCHING CHARACTERISTICS <sup>c</sup></b>                 |                                  |   |     |      |     |       |
| t <sub>D(ON)</sub>  | Turn-On Delay Time               | V <sub>DD</sub> =20V<br>I <sub>D</sub> =1A                          |     | 24   |     | ns    |
| t <sub>r</sub>  | Rise Time                        |   |     | 32   |     | ns    |
| t <sub>D(OFF)</sub>   | Turn-Off Delay Time              | V <sub>GS</sub> =10V<br>R <sub>GEN</sub> = 6 ohm                    |     | 310  |     | ns    |
| t <sub>f</sub>  | Fall Time                        |   |     | 126  |     | ns    |
| Q <sub>g</sub>  | Total Gate Charge                | V <sub>DS</sub> =20V, I <sub>D</sub> =1.1A, V <sub>GS</sub> =10V    |     | 1.5  |     | nC    |
| Q <sub>gs</sub>   | Gate-Source Charge               | V <sub>DS</sub> =20V, I <sub>D</sub> =1.1A,<br>V <sub>GS</sub> =10V |     | 0.48 |     | nC    |
| Q <sub>gd</sub>   | Gate-Drain Charge                |   |     | 0.62 |     | nC    |
| <b>DRAIN-SOURCE DIODE CHARACTERISTICS AND MAXIMUM RATINGS</b> |                                  |   |     |      |     |       |
| V <sub>SD</sub>   | Diode Forward Voltage            | V <sub>GS</sub> =0V, I <sub>S</sub> =0.5A                           |     | 0.83 | 1.2 | V     |

### Notes

- Surface Mounted on FR4 Board, t ≤ 10sec.
- Pulse Test: Pulse Width ≤ 300us, Duty Cycle ≤ 2%.
- Guaranteed by design, not subject to production testing.
- Drain current limited by maximum junction temperature.

Oct,21,2013

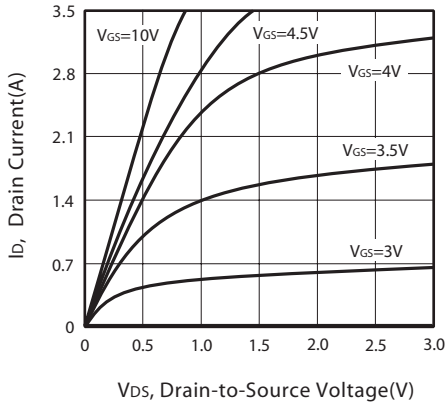


Figure 1. Output Characteristics

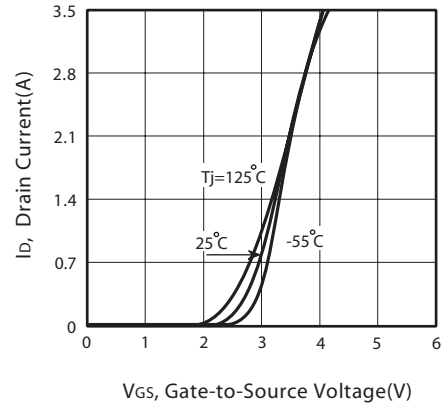


Figure 2. Transfer Characteristics

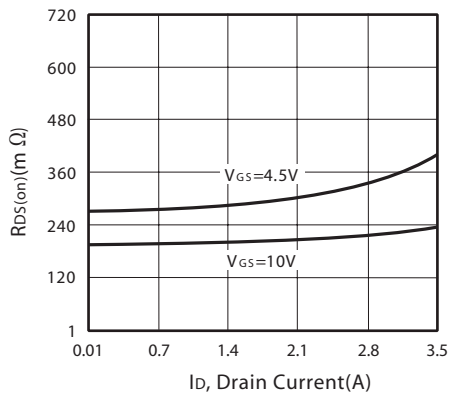


Figure 3. On-Resistance vs. Drain Current and Gate Voltage

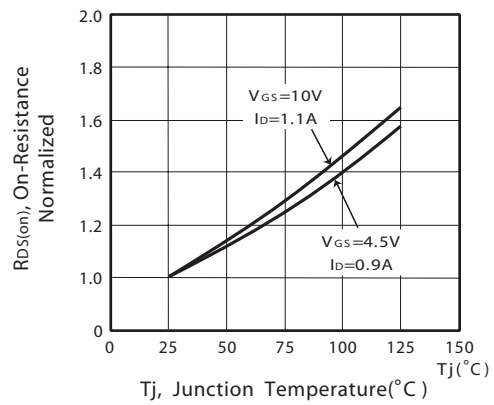


Figure 4. On-Resistance Variation with Drain Current and Temperature

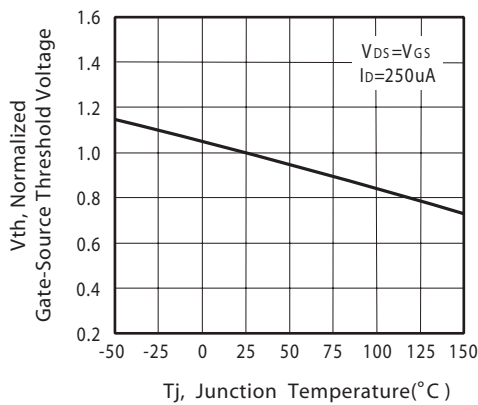


Figure 5. Gate Threshold Variation with Temperature

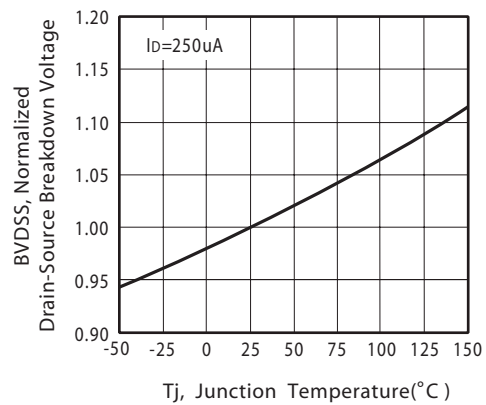


Figure 6. Breakdown Voltage Variation with Temperature

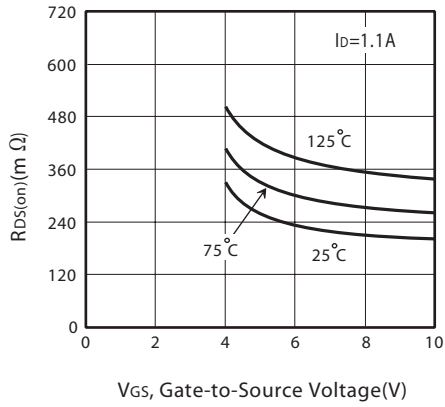


Figure 7. On-Resistance vs. Gate-Source Voltage

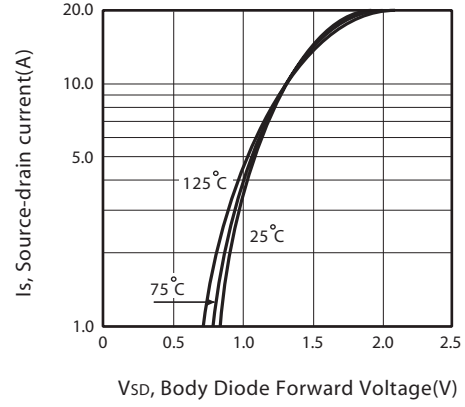


Figure 8. Body Diode Forward Voltage Variation with Source Current

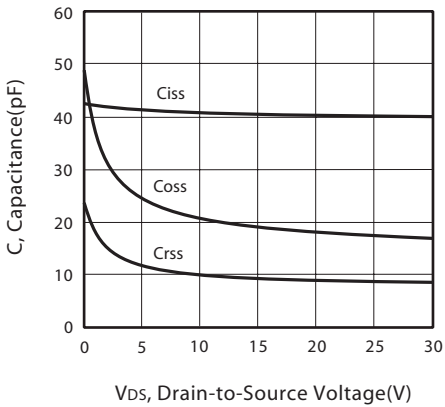


Figure 9. Capacitance

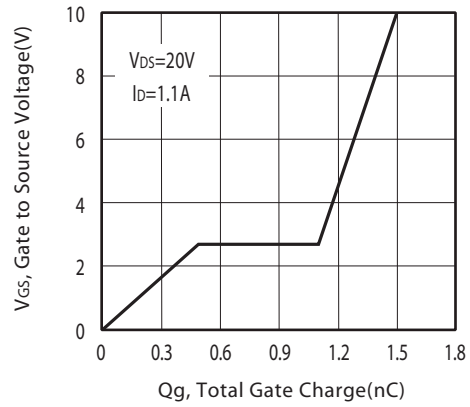


Figure 10. Gate Charge

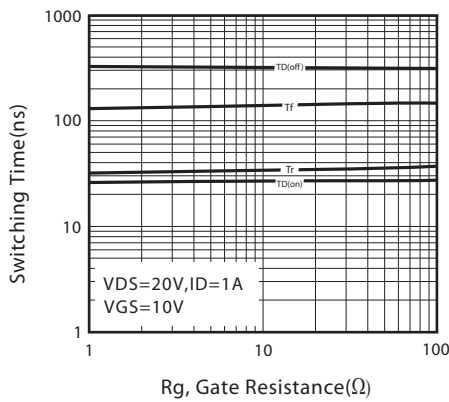


Figure 11. switching characteristics

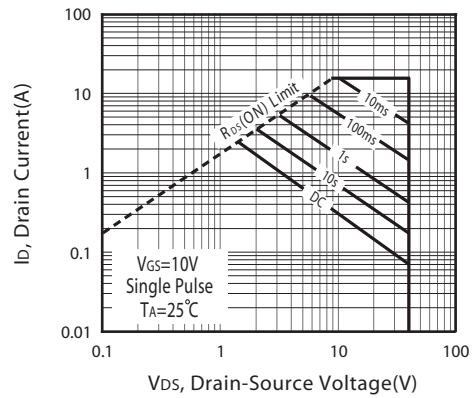


Figure 12. Maximum Safe Operating Area

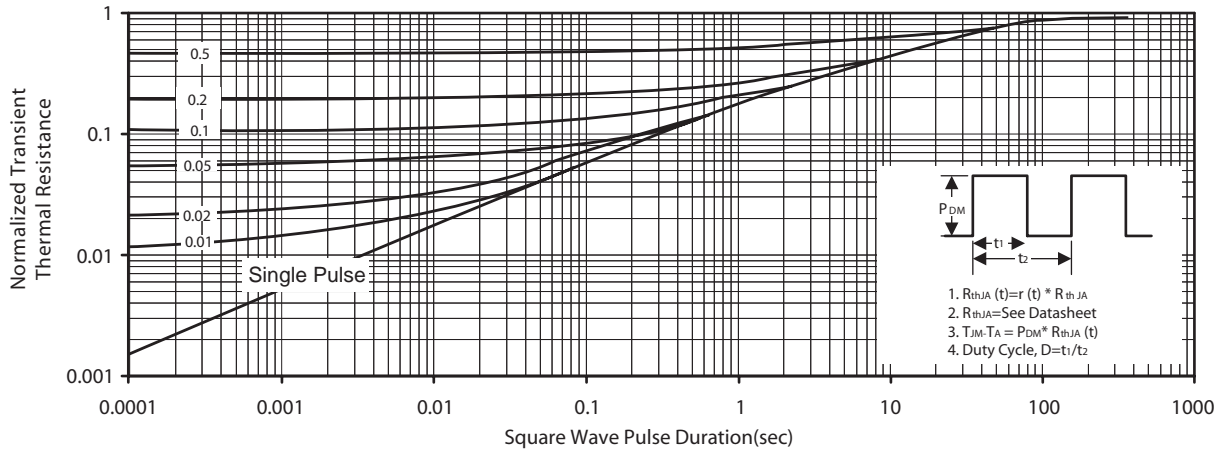
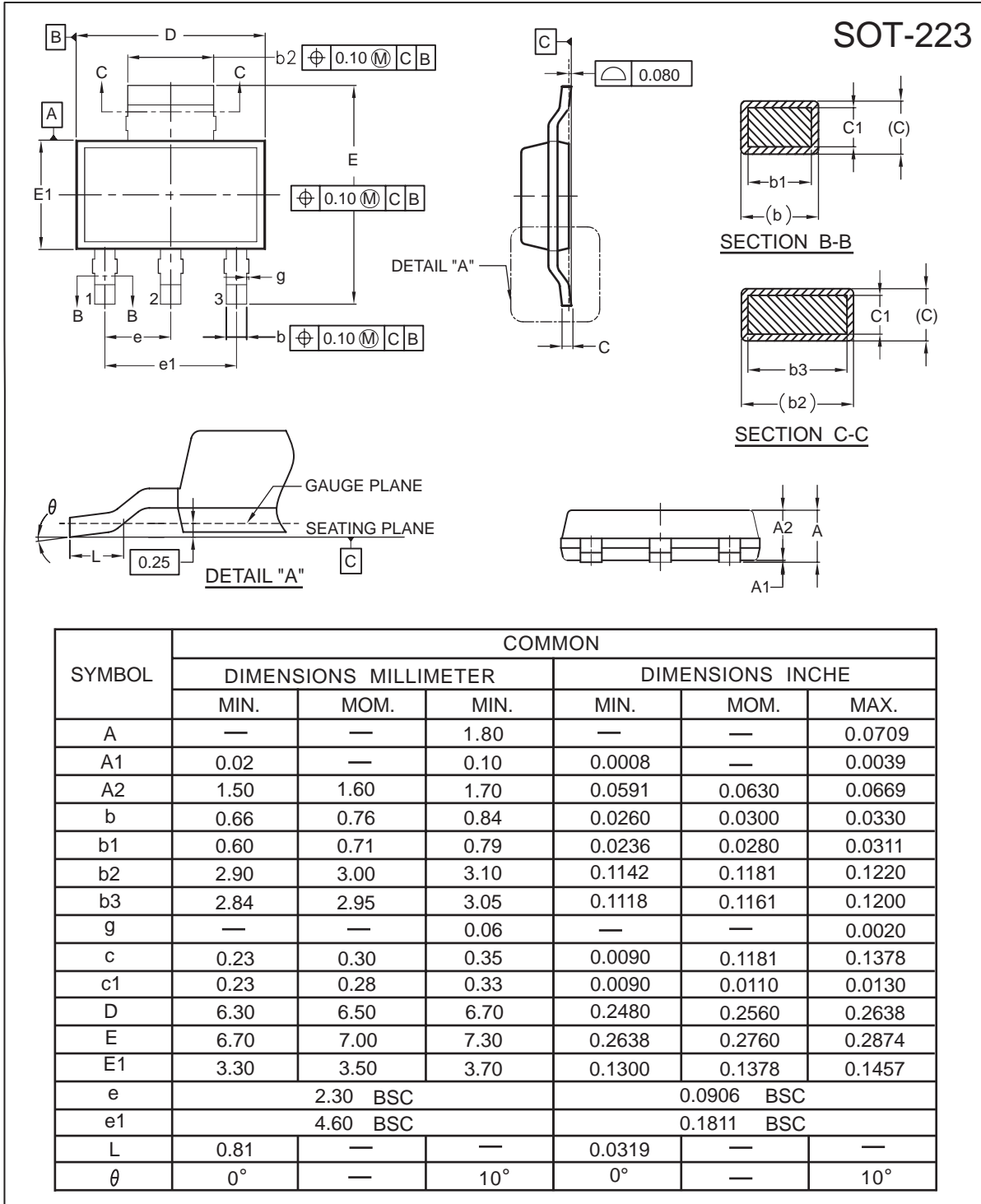


Figure 13. Normalized Thermal Transient Impedance Curve

# STT468A

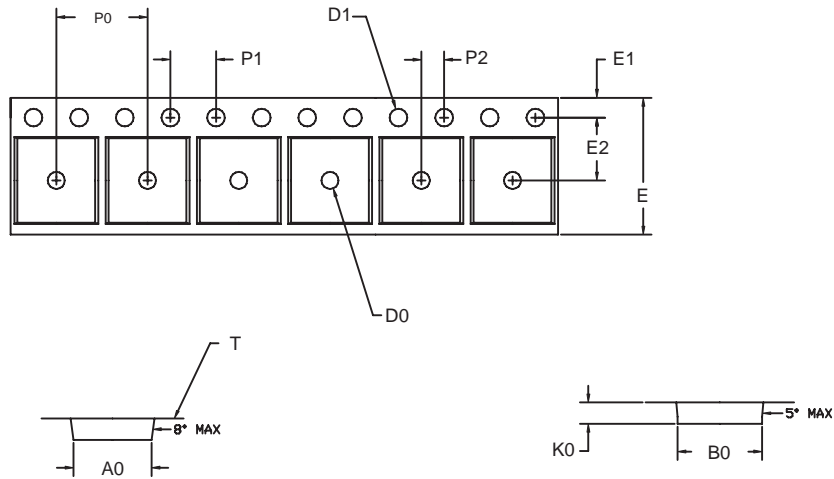
Ver 1.0



Oct,21,2013

## SOT-223 Tape and Reel Data

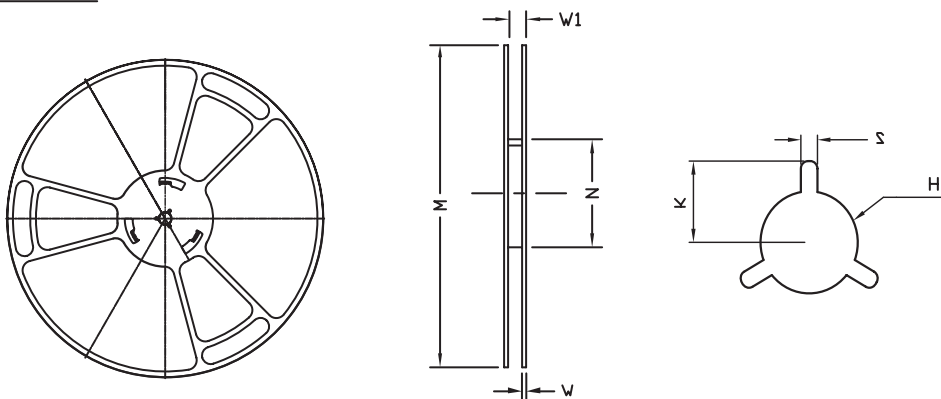
### SOT-223 Carrier Tape



unit:mm

| PACKAGE | A0           | B0           | K0           | D0            | D1           | E                    | E1           | E2           | P0          | P1           | P2            | T              |
|---------|--------------|--------------|--------------|---------------|--------------|----------------------|--------------|--------------|-------------|--------------|---------------|----------------|
| ---     | 6.83<br>±0.1 | 7.42<br>±0.1 | 1.88<br>±0.1 | 1.50<br>+0.25 | 1.60<br>+0.1 | 12.0<br>+0.3<br>-0.1 | 1.75<br>±0.1 | 5.50<br>±0.5 | 8.0<br>±0.1 | 4.00<br>±0.1 | 2.00<br>±0.05 | 0.292<br>±0.02 |

### SOT-223 Reel



UNIT:mm

| REEL SIZE      | M   | N               | W   | W1            | H                        | K    | S            | G   | R   | V   |
|----------------|-----|-----------------|-----|---------------|--------------------------|------|--------------|-----|-----|-----|
| φ 330<br>± 0.5 | --- | φ 97.0<br>± 1.0 | 2.2 | 13.0<br>+ 1.5 | φ 13.0<br>+ 0.5<br>- 0.2 | 10.6 | 2.0<br>± 0.5 | --- | --- | --- |

## TOP MARKING DEFINITION

