

4

3

2

1

THIS DRAWING IS UNPUBLISHED.

RELEASED FOR PUBLICATION

2006

LOC

DIST

REVISIONS

© COPYRIGHT 2006

ALL RIGHTS RESERVED.

A1

-

P

LTR

DESCRIPTION

DATE

DWN

APVD

A3

REVISED PER ECO-11-008493

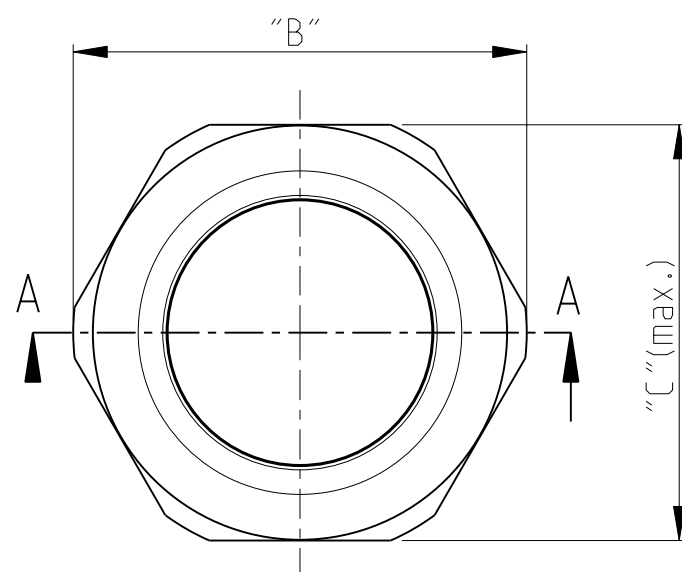
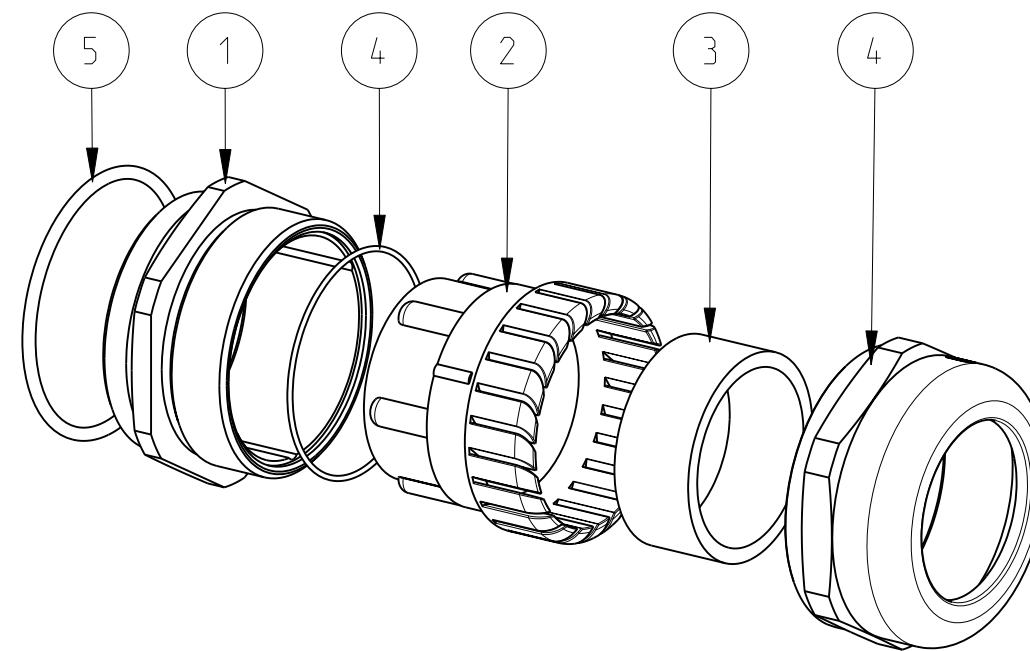
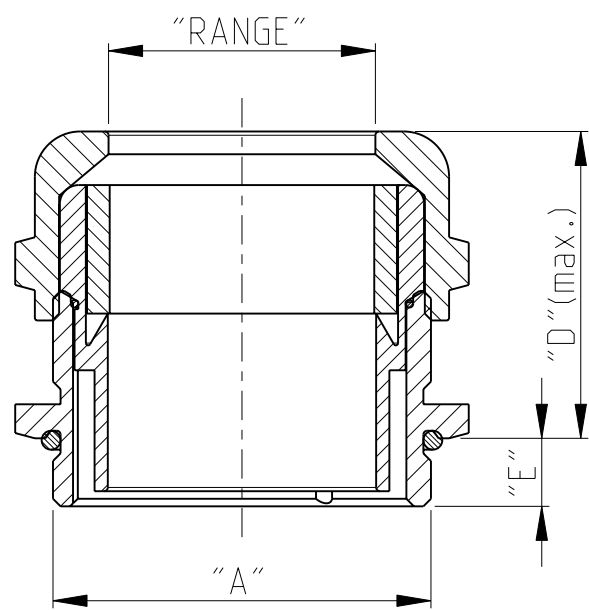
22APR2011

HMR

MM

Notes

- 1 MATERIALS:
BASE HOUSING & PRESSURE SCREW: BRASS, NICKEL PLATED
SEALINGS: NBR, BLACK
INSERT: PA
- 2 STANDARDS:
DIN EN 50262



5-0	PRESSURE NUT	BRASS	NICKEL PLATED	M50x1.5	SW 55	Ø60	40.0	Ø32-38	0.275	6
4-0	O-RING	NBR	BLACK	M40x1.5	SW 43	Ø46	34.0	Ø22-32	0.124	5
3-2	O-RING	NBR	BLACK	M32x1.5	SW 34	Ø36	30.0	Ø18-25	0.075	4
2-5	SEALING INSERT	NBR	BLACK	M25x1.5	SW 27	Ø30	27.0	Ø13-18	0.045	3
2-0	PRESSURE INSERT	PA	GREY	M20x1.5	SW 22	Ø24	27.0	Ø6-12	0.032	2
1-6	DOUBLE NIPPLE	BRASS	NICKEL PLATED	M16x1.5	SW 16	Ø19	25.0	Ø5-10	0.019	1
PART NO.	DESCRIPTION	MATERIAL	SURFACE COLOR	DIMENSIONS					WEIGHT [kg]	ITEM
				"A"	"B"	"C"	"D"	"RANGE"		

THIS DRAWING IS A CONTROLLED DOCUMENT.

DWN 20DEC2006

H.BRAUN

CHK -

APVD 20DEC2006

T.SCHNURPFIL

PRODUCT SPEC

APPLICATION SPEC

WEIGHT -

CUSTOMER DRAWING



TE Connectivity

ASS'Y CABLE GLAND
SERIES HUT-MS, METRIC

NAME

SIZE

CAGE CODE

DRAWING NO

RESTRICTED TO

A3

00779

©=1102770

SCALE 1:1

SHEET 1 OF 1

REV A3

DIMENSIONS:

mm



TOLERANCES UNLESS OTHERWISE SPECIFIED:

0 PLC ±-

1 PLC ±-

2 PLC ±-

3 PLC ±-

4 PLC ±-

ANGLES ±1°

MATERIAL -

FINISH -