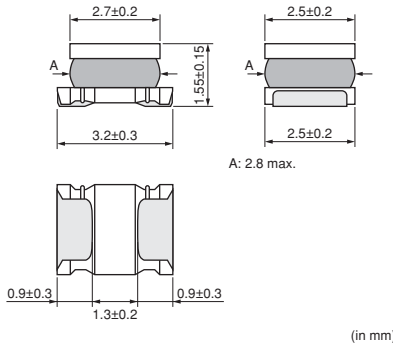


LQH32PN_N0 Series 1210/3225 (inch/mm)

Size Code 1210 (3225) in inch (in mm), 1.7mm max. Thickness

■ Appearance/ Dimensions



■ Packaging

| Code | Packaging | Minimum Quantity |
|------|------------------------|------------------|
| L | ø180mm Embossed Taping | 2000 |
| K | ø330mm Embossed Taping | 7500 |



Refer to pages 102 to 106 for mounting information.

■ Rated Value (□: packaging code)

| Part Number | Inductance | Rated Current ^{*1*3} (Based on Inductance Change) | Rated Current ^{*2*3} (Based on Temperature Rise) | DC Resistance | Self-Resonance Frequency (min.) | Kit |
|----------------|-------------|---|--|---------------|---------------------------------|-----|
| LQH32PNR47NN0□ | 0.47μH ±30% | 3400mA | 2550mA | 0.03Ω ±20% | 100MHz | Kit |
| LQH32PN1R0NN0□ | 1.0μH ±30% | 2300mA | 2050mA | 0.045Ω ±20% | 100MHz | Kit |
| LQH32PN1R5NN0□ | 1.5μH ±30% | 1750mA | 1750mA | 0.057Ω ±20% | 70MHz | Kit |
| LQH32PN2R2NN0□ | 2.2μH ±30% | 1550mA | 1600mA | 0.076Ω ±20% | 70MHz | Kit |
| LQH32PN3R3NN0□ | 3.3μH ±30% | 1250mA | 1200mA | 0.12Ω ±20% | 50MHz | Kit |
| LQH32PN4R7NN0□ | 4.7μH ±30% | 1000mA | 1000mA | 0.18Ω ±20% | 40MHz | Kit |
| LQH32PN6R8NN0□ | 6.8μH ±30% | 850mA | 850mA | 0.24Ω ±20% | 40MHz | Kit |
| LQH32PN100MN0□ | 10μH ±20% | 750mA | 700mA | 0.38Ω ±20% | 30MHz | Kit |
| LQH32PN150MN0□ | 15μH ±20% | 600mA | 520mA | 0.57Ω ±20% | 20MHz | Kit |
| LQH32PN220MN0□ | 22μH ±20% | 500mA | 450mA | 0.81Ω ±20% | 20MHz | Kit |
| LQH32PN330MN0□ | 33μH ±20% | 380mA | 390mA | 1.15Ω ±20% | 13MHz | Kit |
| LQH32PN470MN0□ | 47μH ±20% | 330mA | 310mA | 1.78Ω ±20% | 11MHz | Kit |
| LQH32PN680MN0□ | 68μH ±20% | 280mA | 275mA | 2.28Ω ±20% | 11MHz | Kit |
| LQH32PN101MN0□ | 100μH ±20% | 180mA | 250mA | 2.70Ω ±20% | 8MHz | Kit |
| LQH32PN121MN0□ | 120μH ±20% | 170mA | 200mA | 4.38Ω ±20% | 8MHz | Kit |

Inductance Test Frequency: 1MHz Class of Magnetic Shield: Magnetic shield of magnetic powder in resin
 Operating Temperature Range (Self-temperature rise is included): -40°C~+125°C
 Operating Temperature Range (Self-temperature rise is not included): -40°C~+85°C
 For reflow soldering only.

*1 When applied rated current to the products, inductance will be within ±30% of initial inductance value.

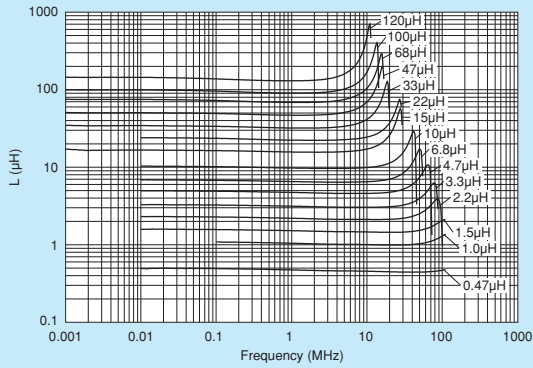
*2 When applied rated current to the products, self-temperature rise shall be limited to 40°C max.

*3 Keep the temperature (ambient temperature plus self-generation of heat) under 125°C.

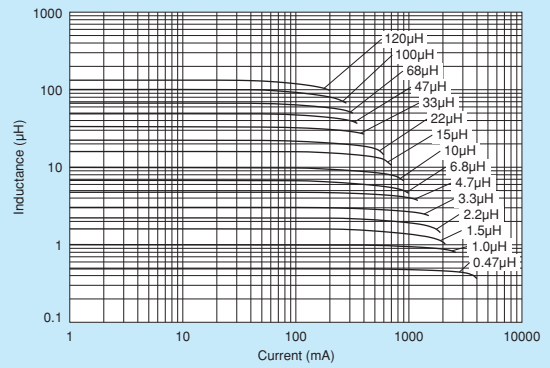
Continued on the following page.

△Note • Please read rating and △CAUTION (for storage, operating, rating, soldering, mounting and handling) in this catalog to prevent smoking and/or burning, etc.
 • This catalog has only typical specifications. Therefore, please approve our product specifications or transact the approval sheet for product specifications before ordering.

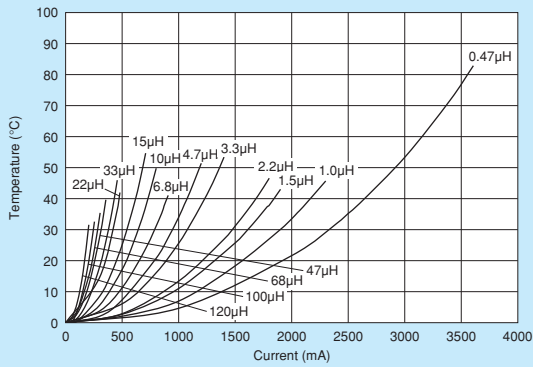
■ Inductance-Frequency Characteristics (Typ.)



■ Inductance-Current Characteristics (Typ.)



■ Temperature Rise Characteristics (Typ.)



△Note • Please read rating and △CAUTION (for storage, operating, rating, soldering, mounting and handling) in this catalog to prevent smoking and/or burning, etc.
• This catalog has only typical specifications. Therefore, please approve our product specifications or transact the approval sheet for product specifications before ordering.