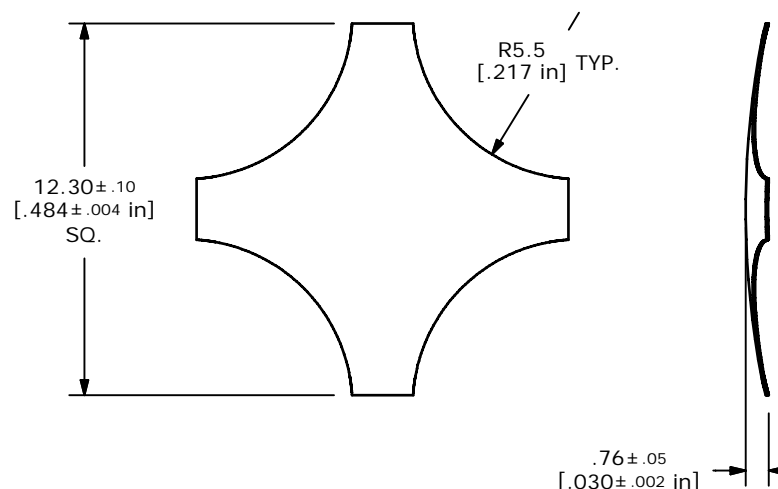


ISOMETRIC



NOTES:

1. ALL DIMENSIONS IN MM [INCH]
2. GENERAL TOLERANCE: 0.0 = +/-0.4
0.00 = +/-0.25
3. ACTUATION FORCE: 1.35N +/- 0.2N
4. MATERIAL: STAINLESS STEEL
- ▲ 5. PLATING: GOLD FLASH (3-6 MICRO INCHS GOLD).
6. ▲ DENOTES CRITICAL PARAMETER

D	19233	Chg plat thk from 8 micro inch	8/4/10	rc
C	14678	CORRECT PLATING THICKNESS	2/9/05	AR
B	14354	REDRAWN FROM AUTOCAD	9/21/04	BK
REV	PCR NO	DESCRIPTION	DATE	BY



TITLE 320 E1-1 CONTACT				
SCALE 4:1	DATE 9/21/2004	DR BK	DWG B050001	REV D

THE INFORMATION CONTAINED IN THIS DOCUMENT IS PROPRIETARY TO E-SWITCH AND IS NOT TO BE COPIED OR TRANSFERRED