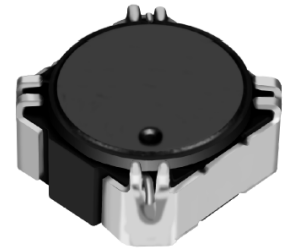
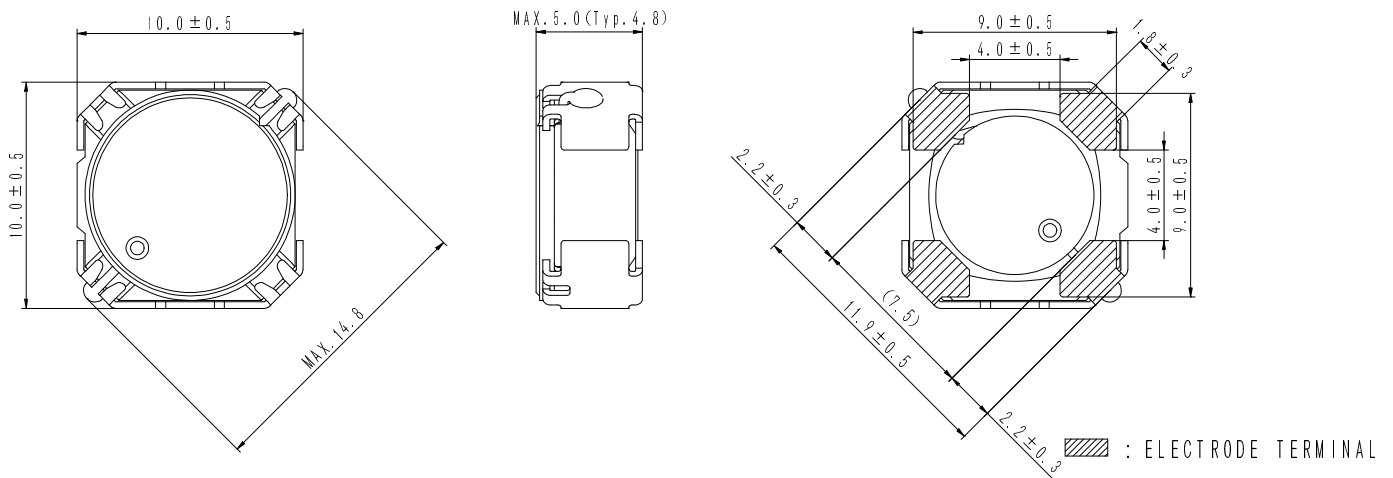
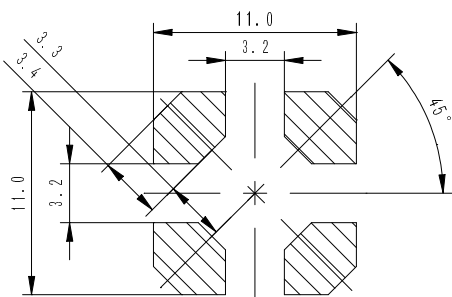
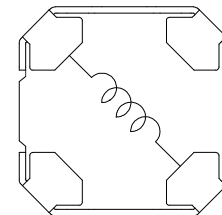


Type: CDCH10D48/A
◆ Product Description

- 10.5×10.5mm Max.(L×W), 5.0mm Max. Height.
- Inductance Range: 10~390 μH.
- Rated current range: 0.38~2.5A (125).
- In addition to the standard versions of inductors shown here, custom inductors are available to meet your exact requirements.


◆ Feature

- Magnetically unshielded construction.
- High reliable inductors, suitable to use in high temperature environment(125°C).
- Ideally for automotive applications as converter inductors.
- RoHS Compliance.

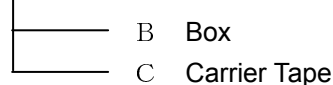
◆ Dimensions (mm)

◆ Land Pattern (mm)

◆ Schematics(Bottom)


Type: CDCH10D48/A
◆ Specification

Part Name ※	Stamp	Inductance (μ H) 100kHz/1V	D.C.R.(Ω) Max.(Typ.) (at 20°C)	Rated current (at 125°C) (A) ※1
CDCH10D48/ANP-100K□	100	10±10%	41m(33m)	2.5
CDCH10D48/ANP-120K□	120	12±10%	54m(43m)	2.2
CDCH10D48/ANP-150K□	150	15±10%	61m(49m)	2.0
CDCH10D48/ANP-180K□	180	18±10%	76m(61m)	1.8
CDCH10D48/ANP-220K□	220	22±10%	88m(70m)	1.6
CDCH10D48/ANP-270K□	270	27±10%	108m(86m)	1.4
CDCH10D48/ANP-330K□	330	33±10%	140m(112m)	1.3
CDCH10D48/ANP-390K□	390	39±10%	165m(132m)	1.2
CDCH10D48/ANP-470K□	470	47±10%	189m(151m)	1.1
CDCH10D48/ANP-560K□	560	56±10%	228m(182m)	1.0
CDCH10D48/ANP-680K□	680	68±10%	285m(228m)	0.88
CDCH10D48/ANP-820K□	820	82±10%	0.33(0.26)	0.84
CDCH10D48/ANP-101K□	101	100±10%	0.41(0.33)	0.72
CDCH10D48/ANP-121K□	121	120±10%	0.47(0.38)	0.69
CDCH10D48/ANP-151K□	151	150±10%	0.61(0.49)	0.60
CDCH10D48/ANP-181K□	181	180±10%	0.68(0.55)	0.58
CDCH10D48/ANP-221K□	221	220±10%	0.89(0.71)	0.50
CDCH10D48/ANP-271K□	271	270±10%	1.00(0.80)	0.47
CDCH10D48/ANP-331K□	331	330±10%	1.36(1.08)	0.40
CDCH10D48/ANP-391K□	391	390±10%	1.51(1.20)	0.38

※ Description of part name

CDCH10D48/ANP-100K□



※1. Rated current: The DC current at which the inductance decreases to 90 % of it's initial value or when $\Delta t=30^{\circ}\text{C}$, whichever is lower ($T_a=125^{\circ}\text{C}$).