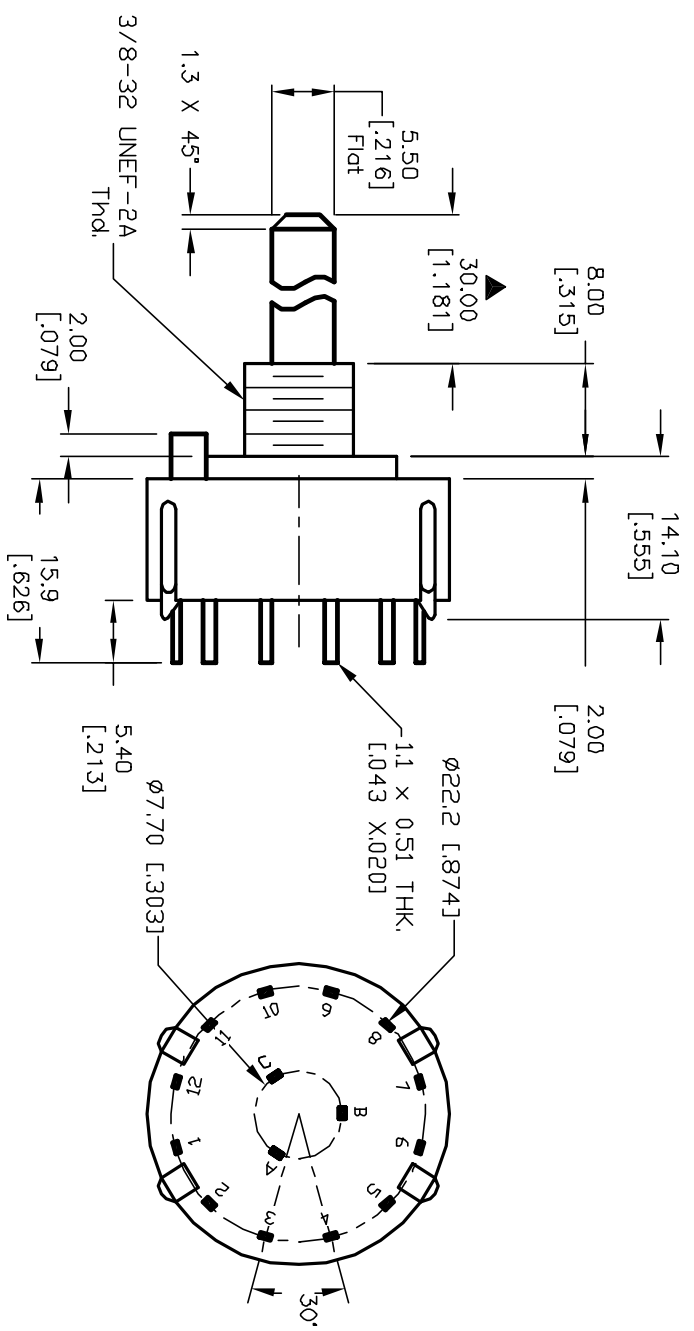
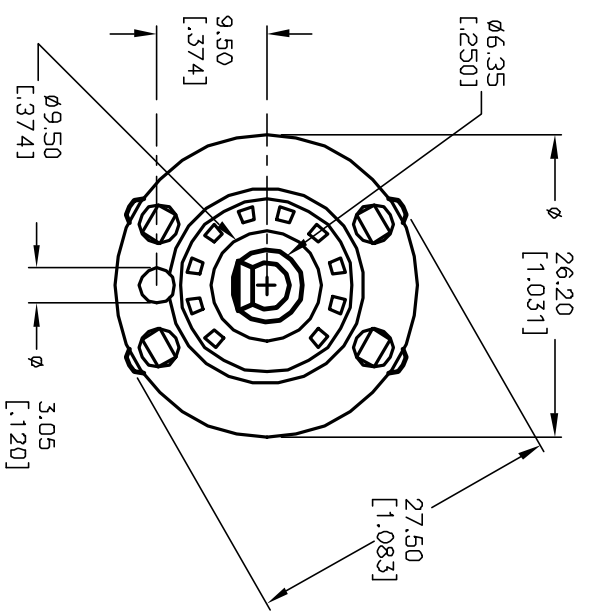
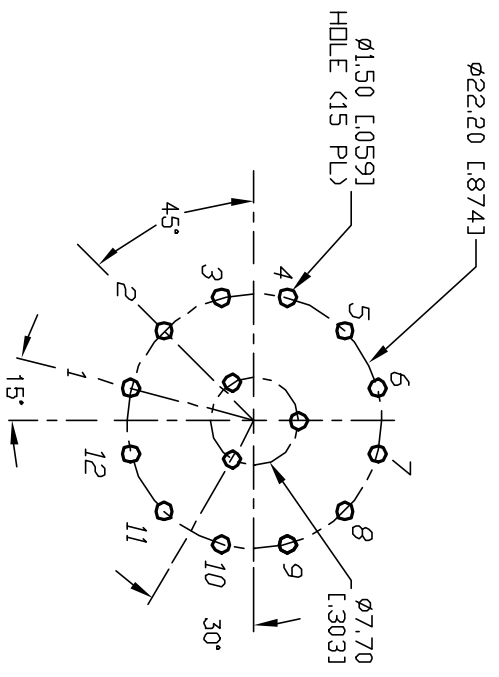
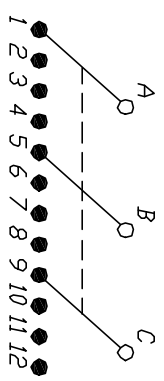


- NOTES:
1. ALL DIMENSION IN MM [INCH]
 2. GENERAL TOLERANCE: X.X=±0.4
X.XX=±0.25
 3. CONTACT RATING SWITCHING: 150mA, 250V AC/DC
350mA, 110V AC/DC
COPPER ALLOY
 4. CONTACT MATERIAL: SILVER OVER COPPER ALLOY
 5. CONTACT RATING (NON-SWITCHING) 5A
 6. OPERATING FORCE: 425±100 CM/STANDARD
 7. OPERATING TEMP: -30° to 85°C
 8. CIRCUIT 3P: 4 POSITIONS, 30° INDEX.
 9. DIELECTRIC STRENGTH 1000V RMS min. @ SEA LEVEL
 10. DESIGNATE MAJOR DIMENSIONS
 11. LOCK NUT AND WASHER NOT SHOWN.



REV. A		12099		RELEASED FOR PRODUCTION		3/7/01		CJB	
REV.		ECN No.		DESCRIPTION		DATE		CHKD	
THE INFORMATION CONTAINED IN THIS DOCUMENT IS PROPRIETARY TO E-SWITCH AND IS NOT TO BE COPIED OR TRANSFERRED									
TITLE				KC-34-A-01-S-P-S					
SCALE				1.5:1					
DATE				4/29/02					
DR				CJB					
DWG				G510560					
REV				A					

E-SWITCH®