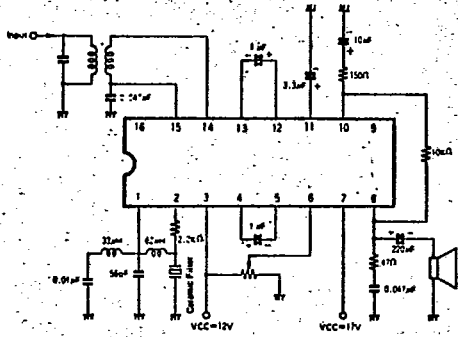


LINEAR INTEGRATED CIRCUITS

SOUND IF AMP, DET, $V_{CC}=13.8V$

16-LEAD DIP, SEE DIAG 348

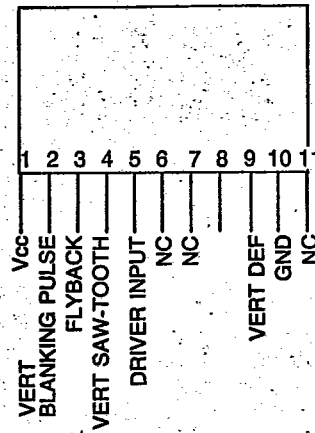
NTE1404



VERT DEFL OUTPUT, $V_{CC}=27.6V$ MAX

11-LEAD SIP, SEE DIAG 222

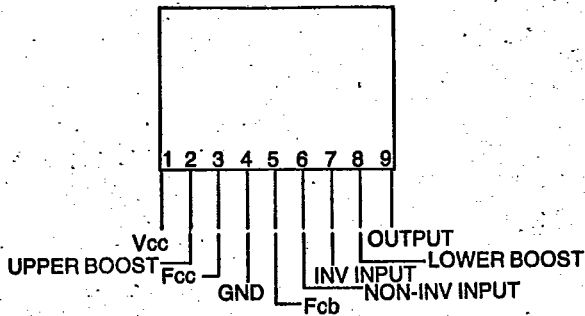
NTE1406
FRONT VIEW



AUDIO PWR AMP, 4.4W

9-LEAD SIP, SEE DIAG 324

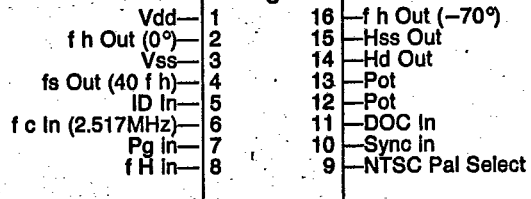
NTE1407
FRONT VIEW



VCR COLOR SIGNAL PROCESSOR (CMOS), $V_{DD} = -0.3V \sim +8V$

16-LEAD DIP, SEE DIAG 249

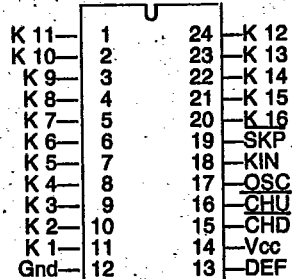
NTE1408



ELECTRONIC CHANNEL SELECTOR, $V_{CC}=15V$

24-LEAD DIP, SEE DIAG 252
24-LEAD DIP, SEE DIAG 459

NTE1409
NTE1409N



CHROMA VIDEO SIGNAL PROCESSOR, $V_{CC}=12V$ TYP

28-LEAD DIP, SEE DIAG 253

NTE1410

