



# Gas Discharge Tubes

**RL600V- 3208 Series**

## Gas Discharge Tubes - RL600V-3208 Series

GDT introduction: Gas discharge tubes (GDT) use noble gasses enclosed in ceramic tubes to provide an alternate circuit path for voltage spikes. The ceramic envelope and with nickel connectors allow for high loads and Ruilon offers products that function at 20KA, 40KA, 50KA, 60KA, 100KA & 150KA. The breakdown voltages of the devices have a wide range (up to 20% tolerance). Major applications are high frequency telecommunication lines, stations, security systems, HID and high quality Surge Protection Devices (SPD).



### Features

1. Suitable for direct strikes
2. Very fast response time
3. Stable performance over life
4. High insulation resistance
5. RoHS-compatible

### Recommended Applications

1. AC power lines
2. Class I - requirements

### Electrical specifications

Series/Type:		RL600V-3208	
DC spark-over voltage 1) 2)		<600	V
Front of wave spark-over voltage - at 1.2/50 $\mu$ s, 6 kV		< 1500	V
Breakdown time - typical values		< 100 < 20	ns ns
Insulation resistance at 100 V <sub>DC</sub>		> 1	G $\Omega$
Class I according to EN 61643-11			
Max. continuous operating voltage at 50/60 Hz	V <sub>c</sub>	255	V <sub>rms</sub>
Nominal discharge current 8/20 $\mu$ s	I <sub>n</sub>	200	kA
Impulse current 10/350 $\mu$ s	I <sub>imp</sub>	100	kA
Follow current at 50/60 Hz	I <sub>f</sub>	100	A <sub>rms</sub>
AC discharge current (TOV3) 1 operation 50 Hz, 0.2 s		300	A
DC discharge current 1 operation 0.5 s		400	A
Weight		~ 100	g
Operation and storage temperature		-40...+90	°C
Climatic category (IEC 60068-1)		40/ 90/ 21	

1) At delivery AQL 0.65 level II, DIN ISO 2859

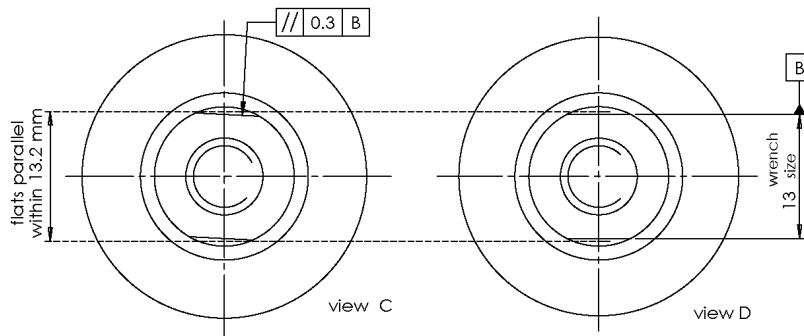
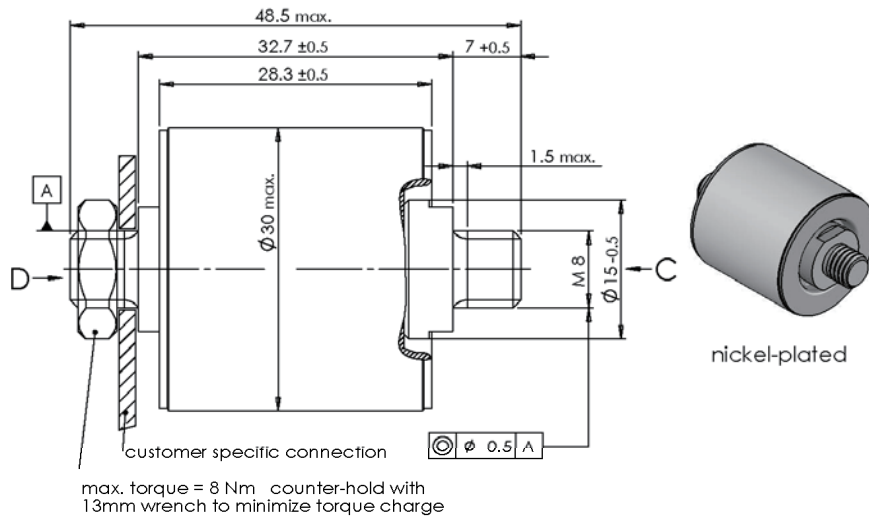
2) In darkness w/o storage

3) TOV – Temporary over voltage

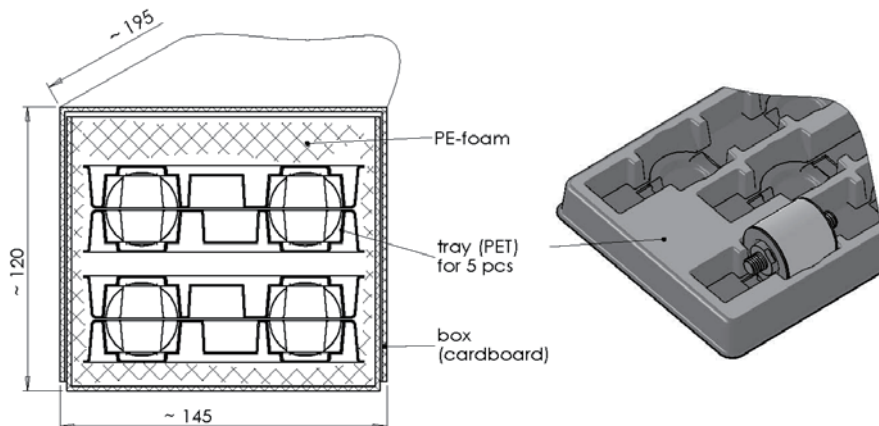
## Gas Discharge Tubes - RL600V-3208 Series

### Dimension

Unit:mm



**Ordering code and packing advice**  
RL600G-3012= 20 pcs. on trays



## RuiLongYuan Electronics Co., Ltd.

---

- Reproducing and modifying information of the document is prohibited without permission from Ruilongyuan International Inc.
- Ruilongyuan International Inc. reserves the rights to make changes of the content herein the document anytime without notification. Please refer to our website for the latest document.
- Ruilongyuan International Inc. disclaims any and all liability arising out of the application or use of any product including damages incidentally and consequentially occurred.
- Ruilongyuan International Inc. does not assume any and all implied warranties, including warranties of fitness for particular purpose, non-infringement and merchantability.
- Applications shown on the herein document are examples of standard use and operation. Customers are responsible in comprehending the suitable use in particular applications. Ruilongyuan International Inc. makes no representation or warranty that such applications will be suitable for the specified use without further testing or modification.
- The products shown herein are not designed and authorized for equipments requiring high level of reliability or relating to human life and for any applications concerning life-saving or life-sustaining, such as medical instruments, transportation equipment, aerospace machinery et cetera. Customers using or selling these products for use in such applications do so at their own risk and agree to fully indemnify Ruilongyuan International Inc. for any damages resulting from such improper use or sale.

---

**Tel: +86-755-8290 8296**

**Fax: +86-755-8290 8002**

**E-mail: [jack@ruilon.com](mailto:jack@ruilon.com)**