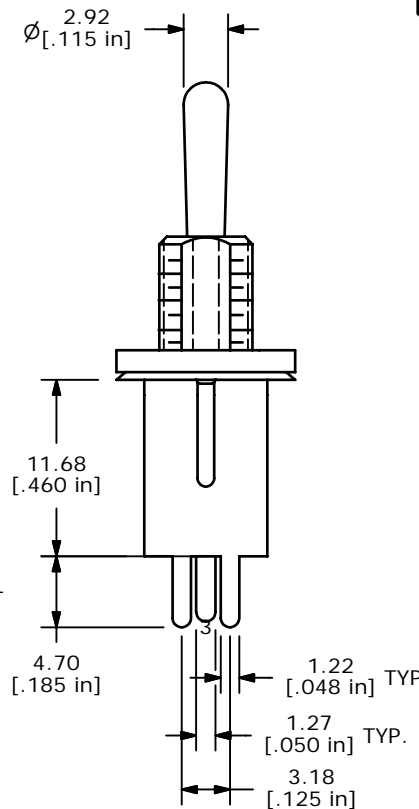
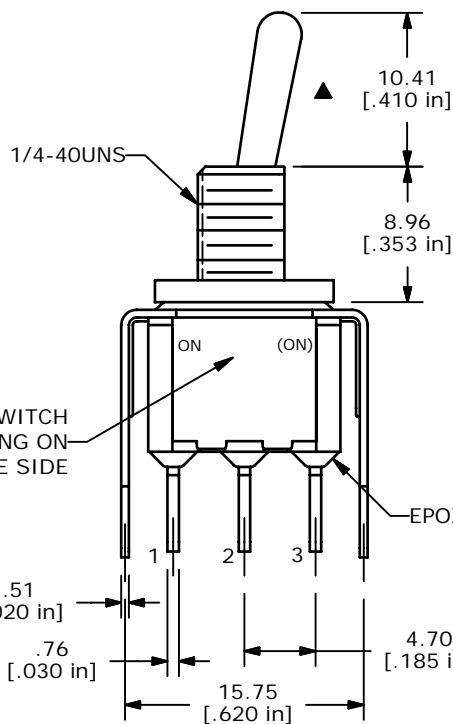
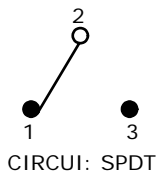


ISOMETRIC

SWITCH FUNCTION		
POS. 1	POS. 1	POS. 1
ON	NONE	(ON)
2-3	OPEN	2-1



NOTE:

1. ALL DIMENSIONS IN MM [INCH]
2. GENERAL TOLERANCE: X.X=±0.4
X.XX=±0.25
3. TERMINAL NUMBERS FOR REF ONLY
4. PLATING MATERIAL: GOLD
- ▲5. RATING: 0.4 (VA) Max. @20V Max.
6. ELECTRIC LIFE: 40,000 make-and-break cycles at full load.
7. INSULATION RESISTANCE: 1,000 Mega-ohm min.
8. DIELECTRIC STRENGTH: 1,000 V RMS @sea level.
9. OPERATING TEMP.: -30°C to 85°C
10. ▲ DENOTES CRITICAL PARAMETER.
11. 2002/95/EC (ROHS) COMPLIANT

D	17251	FIXED DRAWING/NOTES	5/3/07	TN
C	14277	2.92 WAS 2.67	9/1/04	TN
B	13796	CORRECT ACTUATOR LENGTH	2/24/04	TN
A	13544	RELEASED FOR PRODUCTION	10/22/03	TN
REV	PCR NO	DESCRIPTION	DATE	BY

THE INFORMATION CONTAINED IN THIS DOCUMENT IS PROPRIETARY TO E-SWITCH AND IS NOT TO BE COPIED OR TRANSFERRED



TITLE 100SP2T1B9VS2RE

SCALE	DATE	DR	DWG	REV
2:1	5/3/2007	TN	T112008	D