



ZipWire

SDSL/HDSL Transceiver/Framer RS8973 Evaluation Module

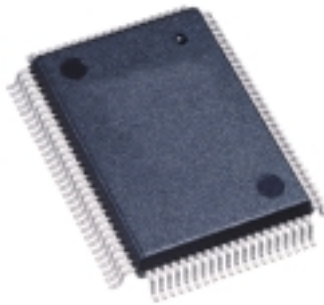
2B1Q SDSL/HDSL Multi-Rate Transceiver/ Framer Complete Evaluation System

Conexant's RS8973EVM (Evaluation Module) fully exercises the popular member of the ZipWire™ family, the RS8973. This modular EVM enables complete evaluation of the RS8973 single-chip, SDSL/HDSL multi-rate transceiver and, with special request, can be used to evaluate and test Conexant's advanced AutoBaud technology. Both HTU-C (COT) and HTU-R (CPE) terminals are provided. Each terminal includes a motherboard with 4 daughter card connectors that can accommodate various configurations of RS8973 transceiver line cards, RS8953B Channel Unit cards and BNC cards. The motherboard also includes a microcontroller and its associated support circuitry (RAM, PROM, address decode, etc.), and the software source code, in C, is available. The RS8953B Channel Unit line card includes the RS8953B and the Bt8370 T1/E1 framer with on-chip LIU to furnish a complete solution for 1, 2 and 3 pair HDSL T1/E1 transport as well as channelized data access. BNC cards are provided to enable easy access to the RS8973 clocks and data stream for unchannelized SDSL applications and performance testing. In both channelized and unchannelized modes, variable data rate transmission from 144 Kbps to 2320 Kbps is supported with no hardware modifications.

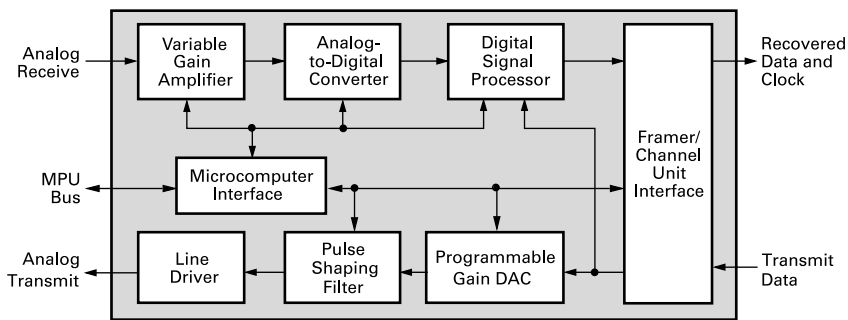


Distinguishing Features

- Complete documentation package (HW and SW user guides, schematics, BOM, layout, app notes, etc.)
- Highly portable EVM and RS8973 device driver software source code available (in C)
- Complete PC interface and software to exercise RS8973 and RS8953B API features
- BNC cards included for unframed SDSL applications and performance testing



The RS8973EVM contains all necessary support equipment except for the requisite 5-volt power supply. A PC, line simulator and Bit Error Rate Tester (BERT) are also recommended, although a BERT is also incorporated into the EVM. The EVM user interface program allows convenient configuration and operation from a PC with a 386 MHz processor (or higher) and VGA display running DOS 3.0 (or better). Complete reference documentation includes the schematic, PCB layout, bill of materials, and external component specifications. Upon completion of the free licensing requirement, PROMs containing AutoBaud compliant software can be requested.



RS8973 block diagram

Product Features

- Complete SDSL/HDSL terminals (COT and CPE)
- Complete documentation package (HW and SW user guides, schematics, BOM, layout, app notes, etc.)
- Supports data rates ranging from 144 Kbps to 2320 Kbps on one twisted pair via SW control
- Supports automatic rate adaptation including AutoBaud with optional ROM
- Fully compliant with standards for HDSL 2B1Q transmission
- Enabled with Conexant's ZipStartup™ algorithm to significantly reduce link activation time
- Meets ETSI TS 101 135 (formerly ETR 152) pulse template and PSD specifications at 784, 1168 and 2320 Kbps with no hardware modifications

- Highly portable EVM and RS8973 device driver software source code available (in C)
- Includes a built-in Bit Error Rate Tester (BERT)
- Allows full loop performance evaluation with only an additional line simulator
- Complete PC interface and software to exercise all RS8973 and RS8953B API features
- BNC cards included for unframed SDSL applications and performance testing

Applications

- Data access concentrators
- E1 and T1 HDSL transport
- Internet connectivity
- Voice and/or data pairgain systems
- N x 64 data transport
- ISDN BRI concentrators
- Cellular base station data links
- Campus modems

Conexant and the Conexant symbol are trademarks of Conexant Systems, Inc.

Further Information

literature@conexant.com
 (800) 854-8099 (North America)
 (949) 483-6996 (International)
 Order # 101177A
 00-0684
 Personal Computing
 Printed in USA

World Headquarters

Conexant Systems, Inc.
 4311 Jamboree Road
 Newport Beach, CA
 92660-3007
 Phone: (949) 483-4600
 Fax 1: (949) 483-4078
 Fax 2: (949) 483-4391

Americas

U.S. Northwest – Santa Clara

Phone: (408) 249-9696
 Fax: (408) 249-7113

U.S. Southwest – Los Angeles

Phone: (805) 376-0559
 Fax: (805) 376-8180

U.S. Southwest – Newport Beach

Phone: (949) 483-9119
 Fax: (949) 483-9090

U.S. San Diego

Phone: (858) 713-4730
 Fax: (858) 713-4008

U.S. North Central – Illinois

Phone: (630) 773-3454
 Fax: (630) 773-3907

U.S. South Central/Mexico – Texas

Phone: (972) 871-1920
 Fax: (972) 871-8910

U.S. Northeast – Massachusetts

Phone: (978) 367-3200
 Fax: (978) 256-6868

U.S. Carolinas – North Carolina

Phone: (919) 858-9110
 Fax: (919) 858-8669

U.S. Southeast/South America – Florida

Phone: (727) 799-8406
 Fax: (727) 799-8306

U.S. Mid-Atlantic – Pennsylvania

Phone: (215) 244-6784
 Fax: (215) 244-9292

Canada – Ontario

Phone: (613) 271-2358
 Fax: (613) 271-2359

Europe

Europe Central – Germany

Phone: +49 89 829-1320
 Fax: +49 89 834-2734

Europe North – England

Phone: +44 1344 486444
 Fax: +44 1344 486555

Europe – Israel/Greece

Phone: +972 9 9524000
 Fax: +972 9 9573732

Europe South – France

Phone: +33 1 41 44 36 51
 Fax: +33 1 41 44 36 90

Europe Mediterranean – Italy

Phone: +39 02 93179911
 Fax: +39 02 93179913

Europe – Sweden

Phone: +46 (0) 8 5091 4319
 Fax: +46 (0) 8 590 041 10

Europe – Finland

Phone: +358 (0) 9 85 666 435
 Fax: +358 (0) 9 85 666 220

Asia Pacific

Taiwan

Phone: (886-2) 2-720-0282
 Fax: (886-2) 2-757-6760

Australia

Phone: (61-2) 9869 4088
 Fax: (61-2) 9869 4077

China – Central

Phone: 86-21-6361-2515
 Fax: 86-21-6361-2516

China – South

Phone: (852) 2 827-0181
 Fax: (852) 2 827-6488

China – South (Satellite)

Phone: (86) 755-5182495
 Fax: (86) 755-5183024

China – North

Phone: (86-10) 8529-9777
 Fax: (86-10) 8529-9778

India

Phone: (91-11) 692-4789
 Fax: (91-11) 692-4712

Korea

Phone: (82-2) 565-2880
 Fax: (82-2) 565-1440

Korea (Satellite)

Phone: (82-53) 745-2880
 Fax: (82-53) 745-1440

Singapore

Phone: (65) 737 7355
 Fax: (65) 737 9077

Japan

Phone: (81-3) 5371 1520
 Fax: (81-3) 5371 1501