

# LED DISPLAY

## ALPHA-NUMERIC LED DISPLAYS

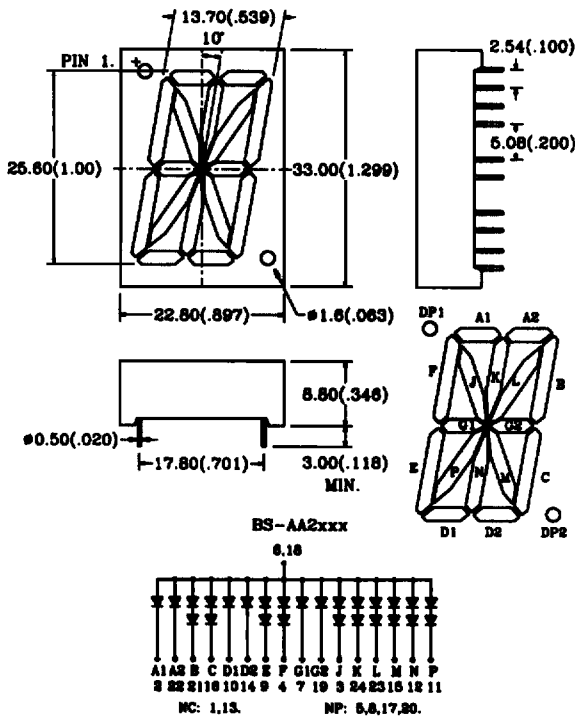
Digit Size	Part No.		Chip		Absolute Maximum Ratings				Electro-optical Data(At 10mA)			Drawing No.	
	Common Anode	Common Cathode	Emitted Color	Peak Wave Length $\lambda_p$ (nm)	$\Delta\lambda$ (nm)	Pd (mW)	If(mA)	Peak If(mA)	Vf(V)		Iv Typ. Per Seg. (mcd)		
									Min.	Max.			
	1.00"	BS-AA21ND	BS-CA21ND	Red	655	40	180	40	200	1.6	4.0	2.5	AD-01
		BS-AA25ND	BS-CA25ND	Bright Red	700	90	90	15	50	2.1	5.0	3.5	
		BS-AA25NE	BS-CA25NE										
		BS-AA22ND	BS-CA22ND	Green	568	30	180	30	150	2.1	5.0	5.0	
		BS-AA23ND	BS-CA23ND	Yellow	585	35	180	30	150	2.0	5.0	4.0	
		BS-AA24ND	BS-CA24ND	Hi-Eff Red	635	45	180	30	150	1.9	5.0	5.0	
				Orange									
BS-AA26ND	BS-CA26ND	Super Red	660	20	110	20	150	1.7	5.0	10.0			
	2.00"	BS-AD31RD	BS-CD31RD	Red	655	40	450	40	200	3.2	8.0	4.0	AD-02
		BS-AD35RD	BS-CD35RD	Bright Red	700	90	210	15	50	4.2	10.0	6.0	
		BS-AD35RE	BS-CD35RE										
		BS-AD32RD	BS-CD32RD	Green	568	30	420	30	150	4.2	10.0	10.5	
		BS-AD33RD	BS-CD33RD	Yellow	585	35	420	30	150	4.0	10.0	7.5	
		BS-AD34RD	BS-CD34RD	Hi-Eff Red	635	45	420	30	150	3.8	10.0	8.5	
				Orange									
BS-AD36RD	BS-CD36RD	Super Red	660	20	280	20	150	3.4	10.0	15.0			
	2.30"	BS-AD21RD	BS-CD21RD	Red	655	40	280	40	200	3.2	5.0	5.0	AD-03
		BS-AD25RD	BS-CD25RD	Bright Red	700	90	100	15	50	4.2	5.0	8.0	
		BS-AD25RE	BS-CD25RE										
		BS-AD22RD	BS-CD22RD	Green	568	30	210	30	150	4.2	5.0	14.0	
		BS-AD23RD	BS-CD23RD	Yellow	585	35	420	30	150	4.0	5.0	11.0	
		BS-AD24RD	BS-CD24RD	Hi-Eff Red	635	45	420	30	150	3.8	5.0	12.0	
				Orange									
BS-AD26RD	BS-CD26RD	Super Red	660	20	280	20	150	3.4	5.0	18.0			
	0.54"	BD-E521RD	BD-F521RD	Red	655	40	180	40	200	1.6	2.0	0.5	AD-04
		BD-E525RD	BD-F525RD	Bright Red	700	90	90	15	50	2.1	2.5	1.2	
		BD-E525RE	BD-F523RE										
		BD-E522RD	BD-F522RD	Green	568	30	180	30	150	2.1	2.5	2.5	
		BD-E523RD	BD-F523RD	Yellow	585	35	180	30	150	2.0	2.5	2.0	
		BD-E524RD	BD-F524RD	Hi-Eff Red	635	45	180	30	150	1.9	2.5	2.5	
				Orange									
BD-E526RD	BD-F526RD	Super Red	660	20	110	20	150	1.7	2.5	6.0			

Remark: • The average luminous intensity is obtained by summing the luminous intensity of each segment and dividing by total number of segments.

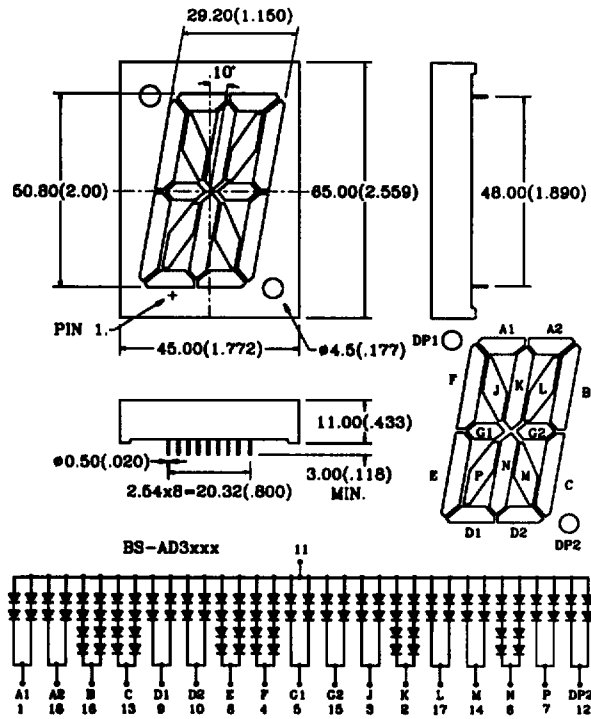
• Above part numbers are all with black surface and white segment. For part numbers with other surface and segment color combinations, please check the selection guide(Part number system).

# LED DISPLAY

## AD-01 BS-AA2xxx Series



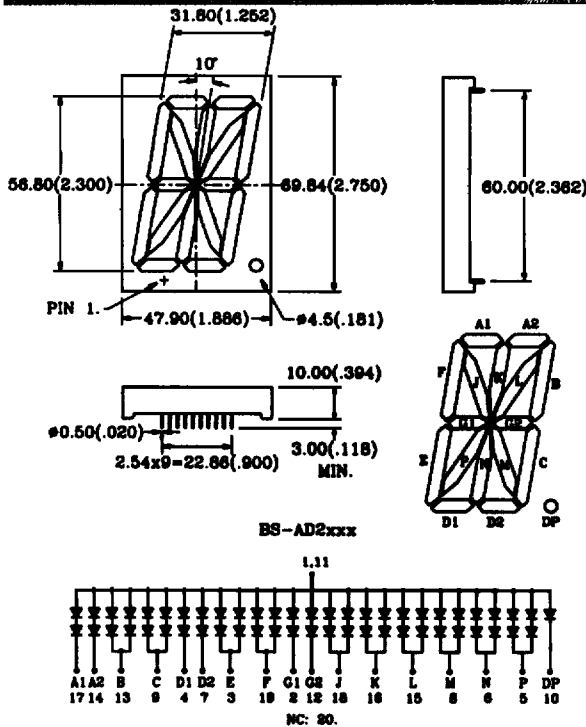
## AD-02 BS-AD3xxx Series



## PACKAGE DIMENSIONS

- NOTES:
1. All Dimensions are in millimeters (inches).
  2. Tolerance is  $\pm 0.25\text{mm}$  ( $.010''$ ) unless otherwise specified.
  3. Specifications are subject to change without notice.
  4. NP: No Pin.
  5. NC: No Connect.

## AD-03 BS-AD2xxx Series



## AD-04 BD-E52xxx Series

