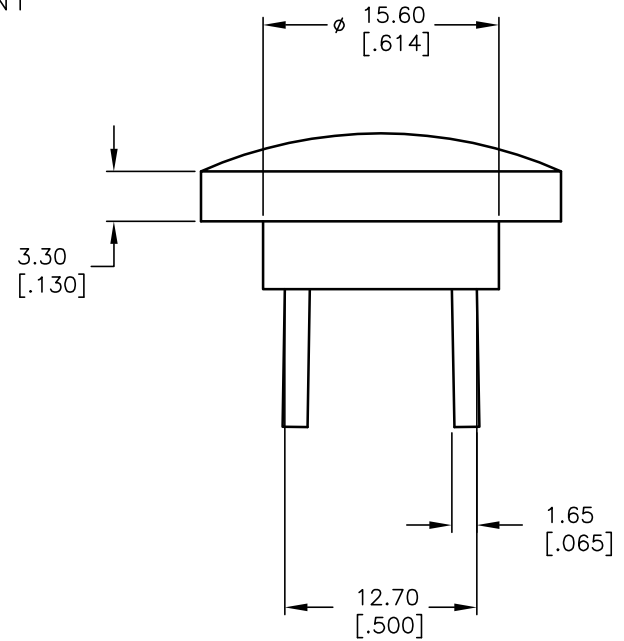


GREEN TRANSPARENT MUSHROOM HEAD



NOTES:

1. ALL DIMENSIONS IN MM [INCH]
2. GENERAL TOLERANCE: X.X=±0.4  
X.XX=±0.25

**E-SWITCH®**

B	13934	DESCRIPTION WAS 50-012-11	4/16/04	AR
A	11897	RELEASED FOR PRODUCTION	2/4/02	CB
REV.	ECN No.	DESCRIPTION	DATE	CHKD

TITLE 50-012-31 (Mushroom Head) GREEN TRANSPARENT

THE INFORMATION CONTAINED IN THIS DOCUMENT IS PROPRIETARY TO E-SWITCH AND IS NOT TO BE COPIED OR TRANSFERRED

SCALE	DATE	DR	DWG	REV
2:1	2/4/02	CB	F051211	B