

Stereo CODEC with 1W Stereo Class D Speaker Drivers and Headphone Drivers for Portable Audio Applications

DESCRIPTION

The WM8960 is a low power, high quality stereo CODEC designed for portable digital audio applications.

Stereo class D speaker drivers provide 1W per channel into 8Ω loads with a 5V supply. Low leakage, excellent PSRR and pop/click suppression mechanisms also allow direct battery connection to the speaker supply. Flexible speaker boost settings allow speaker output power to be maximised while minimising other analogue supply currents.

A highly flexible input configuration for up to three stereo sources is integrated, with a complete microphone interface. External component requirements are drastically reduced as no separate microphone, speaker or headphone amplifiers are required. Advanced on-chip digital signal processing performs automatic level control for the microphone or line input.

Stereo 24-bit sigma-delta ADCs and DACs are used with low power over-sampling digital interpolation and decimation filters and a flexible digital audio interface.

The master clock can be input directly or generated internally by an onboard PLL, supporting most commonly-used clocking schemes.

The WM8960 operates at analogue supply voltages down to 2.7V, although the digital supplies can operate at voltages down to 1.71V to save power. The speaker supply can operate at up to 5.5V, providing 1W per channel into 8Ω loads. Unused functions can be disabled using software control to save power.

The WM8960 is supplied in a very small and thin 5x5mm QFN package, ideal for use in hand-held and portable systems.

FEATURES

- DAC SNR 98dB ('A' weighted), THD -84dB at 48kHz, 3.3V
- ADC SNR 94dB ('A' weighted), THD -82dB at 48kHz, 3.3V
- Pop and click suppression
- 3D Enhancement
- Stereo Class D Speaker Driver
 - <0.1% THD with 1W per channel into 8Ω BTL speakers
 - 70dB PSRR @217Hz
 - 87% efficiency (1W output)
 - Flexible internal switching clock
- On-chip Headphone Driver
 - 40mW output power into 16Ω at 3.3V
 - Capless mode support
 - THD -75dB at 20mW, SNR 90dB with 16Ω load
- Microphone Interface
 - Pseudo differential for high noise immunity
 - Integrated low noise MICBIAS
 - Programmable ALC / Limiter and Noise Gate
- Low Power Consumption
- Low Supply Voltages
 - Analogue 2.7V to 3.6V (Speaker supply up to 5.5V)
 - Digital core and I/O: 1.71V to 3.6V
- On-chip PLL provides flexible clocking scheme
- Sample rates: 8, 11.025, 12, 16, 22.05, 24, 32, 44.1, 48
- 5x5x0.9mm QFN package

APPLICATIONS

- Games consoles
- Portable media / DVD players
- Mobile multimedia

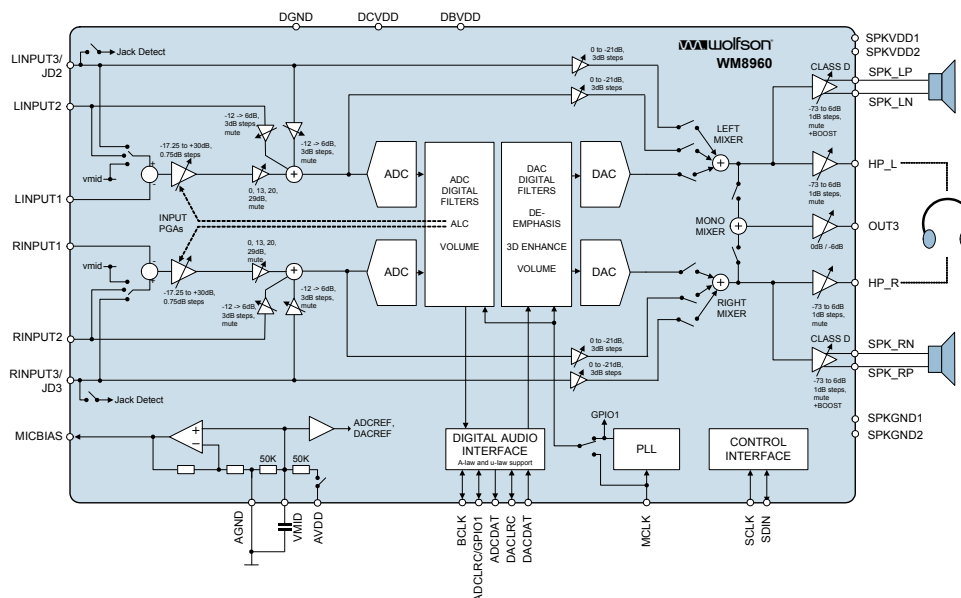
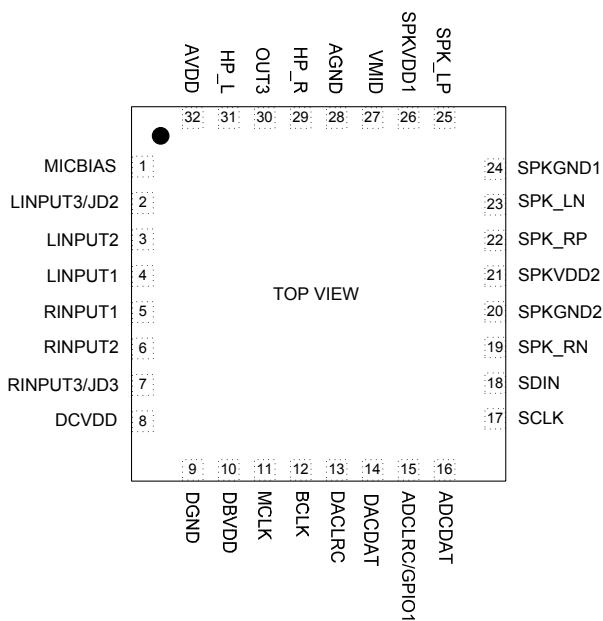


TABLE OF CONTENTS

DESCRIPTION	1
FEATURES	1
APPLICATIONS	1
TABLE OF CONTENTS	2
PIN CONFIGURATION	3
ORDERING INFORMATION	3
PIN DESCRIPTION	4
ABSOLUTE MAXIMUM RATINGS	5
RECOMMENDED OPERATING CONDITIONS	5
ELECTRICAL CHARACTERISTICS	6
OUTPUT PGA GAIN	10
TYPICAL POWER CONSUMPTION	11
SIGNAL TIMING REQUIREMENTS	13
SYSTEM CLOCK TIMING.....	13
AUDIO INTERFACE TIMING – MASTER MODE	13
AUDIO INTERFACE TIMING – SLAVE MODE.....	14
CONTROL INTERFACE TIMING – 2-WIRE MODE.....	15
INTERNAL POWER ON RESET CIRCUIT	16
DEVICE DESCRIPTION	18
INTRODUCTION.....	18
INPUT SIGNAL PATH.....	19
ANALOGUE TO DIGITAL CONVERTER (ADC).....	26
AUTOMATIC LEVEL CONTROL (ALC).....	28
OUTPUT SIGNAL PATH.....	31
ANALOGUE OUTPUTS	37
ENABLING THE OUTPUTS	41
HEADPHONE OUTPUT	41
CLASS D SPEAKER OUTPUTS.....	42
VOLUME UPDATES	43
HEADPHONE JACK DETECT	45
THERMAL SHUTDOWN	46
GENERAL PURPOSE INPUT/OUTPUT	47
DIGITAL AUDIO INTERFACE.....	48
AUDIO INTERFACE CONTROL	52
CLOCKING AND SAMPLE RATES.....	56
CONTROL INTERFACE.....	63
POWER MANAGEMENT	63
REGISTER MAP	67
REGISTER BITS BY ADDRESS	68
DIGITAL FILTER CHARACTERISTICS	82
ADC FILTER RESPONSES	83
DAC FILTER RESPONSES	83
DE-EMPHASIS FILTER RESPONSES.....	85
APPLICATIONS INFORMATION	86
RECOMMENDED EXTERNAL COMPONENTS.....	86
IMPORTANT NOTICE	90
ADDRESS:.....	90
REVISION HISTORY	91

PIN CONFIGURATION



ORDERING INFORMATION

ORDER CODE	TEMPERATURE RANGE	PACKAGE	MOISTURE SENSITIVITY LEVEL	PEAK SOLDERING TEMPERATURE
WM8960CGEFL/V	-40°C to +85°C	32-lead QFN (5x5x0.9mm) (Pb-free)	MSL3	260°C
WM8960CGEFL/RV	-40°C to +85°C	32-lead QFN (5x5x0.9mm) (Pb-free, Tape and reel)	MSL3	260°C
WM8960CGEFL/2RV	-40°C to +85°C	32-lead QFN (5x5x0.9mm) (Pb-free, Tape and reel)	MSL3	260°C

Note:

Reel quantity = 3500 (WM8960CGEFL/V and WM8960CGEFL/RV)

Reel quantity = 2200 (WM8960CGEFL/2RV)

PIN DESCRIPTION

PIN NO	NAME	TYPE	DESCRIPTION
1	MICBIAS	Analogue Output	Microphone bias
2	LINPUT3 / JD2	Analogue Input	Left channel line input / Left channel positive differential MIC input / Jack detect input pin
3	LINPUT2	Analogue Input	Left channel line input / Left channel positive differential MIC input
4	LINPUT1	Analogue Input	Left channel single-ended MIC input / Left channel negative differential MIC input
5	RINPUT1	Analogue Input	Right channel single-ended MIC input / Right channel negative differential MIC input
6	RINPUT2	Analogue Input	Right channel line input / Right channel positive differential MIC input
7	RINPUT3 / JD3	Analogue Input	Right channel line input / Right channel positive differential MIC input / Jack detect input pin
8	DCVDD	Supply	Digital core supply
9	DGND	Supply	Digital ground (Return path for both DCVDD and DBVDD)
10	DBVDD	Supply	Digital buffer (I/O) supply
11	MCLK	Digital Input	Master clock
12	BCLK	Digital Input / Output	Audio interface bit clock
13	DACLRC	Digital Input / Output	Audio interface DAC left / right clock
14	DACDAT	Digital Input	DAC digital audio data
15	ADCLRC / GPIO1	Digital Input / Output	Audio interface ADC left / right clock / GPIO1 pin
16	ADCDAT	Digital Output	ADC digital audio data
17	SCLK	Digital Input	Control interface clock input
18	SDIN	Digital Input/Output	Control interface data input / 2-wire acknowledge output
19	SPK_RN	Analogue Output	Right speaker negative output
20	SPKGND2	Supply	Ground for speaker drivers 2
21	SPKVDD2	Supply	Supply for speaker drivers 2
22	SPK_RP	Analogue Output	Right speaker positive output
23	SPK_LN	Analogue Output	Left speaker negative output
24	SPKGND1	Supply	Ground for speaker drivers 1
25	SPK_LP	Analogue Output	Left speaker positive output
26	SPKVDD1	Supply	Supply for speaker drivers 1
27	VMID	Analogue Output	Midrail voltage decoupling capacitor
28	AGND	Supply	Analogue ground (Return path for AVDD)
29	HP_R	Analogue Output	Right output (Line or headphone)
30	OUT3	Analogue Output	Mono, left, right or buffered midrail output for capless mode
31	HP_L	Analogue Output	Left output (Line or headphone)
32	AVDD	Supply	Analogue supply
33	GND_PADDLE		Die Paddle (Note 1)

Note:

1. It is recommended that the QFN ground paddle should be connected to analogue ground on the application PCB.

ABSOLUTE MAXIMUM RATINGS

Absolute Maximum Ratings are stress ratings only. Permanent damage to the device may be caused by continuously operating at or beyond these limits. Device functional operating limits and guaranteed performance specifications are given under Electrical Characteristics at the test conditions specified.



ESD Sensitive Device. This device is manufactured on a CMOS process. It is therefore generically susceptible to damage from excessive static voltages. Proper ESD precautions must be taken during handling and storage of this device.

Wolfson tests its package types according to IPC/JEDEC J-STD-020 for Moisture Sensitivity to determine acceptable storage conditions prior to surface mount assembly. These levels are:

MSL1 = unlimited floor life at <30°C / 85% Relative Humidity. Not normally stored in moisture barrier bag.

MSL2 = out of bag storage for 1 year at <30°C / 60% Relative Humidity. Supplied in moisture barrier bag.

MSL3 = out of bag storage for 168 hours at <30°C / 60% Relative Humidity. Supplied in moisture barrier bag.

The Moisture Sensitivity Level for each package type is specified in Ordering Information.

CONDITION	MIN	MAX
Supply voltages (excluding SPKVDD1 and SPKVDD2)	-0.3V	+4.5V
SPKVDD1, SPKVDD2	-0.3V	+7V
Voltage range digital inputs	DGND -0.3V	DBVDD +0.3V
Voltage range analogue inputs	AGND -0.3V	AVDD +0.3V
Operating temperature range, T _A	-40°C	+85°C
Storage temperature after soldering	-65°C	+150°C

Notes:

1. Analogue, digital and speaker grounds must always be within 0.3V of each other.
2. All digital and analogue supplies are completely independent from each other (i.e. not internally connected).
3. DCVDD must be less than or equal to AVDD and DBVDD.
4. AVDD must be less than or equal to SPKVDD1 and SPKVDD2.
5. SPKVDD1 and SPKVDD2 must be high enough to support the peak output voltage when using DCGAIN and ACGAIN functions, to avoid output waveform clipping. Peak output voltage is $AVDD \cdot (DCGAIN + ACGAIN) / 2$.

RECOMMENDED OPERATING CONDITIONS

PARAMETER	SYMBOL	MIN	TYP	MAX	UNIT
Digital supply range (Core)	DCVDD	1.71		3.6	V
Digital supply range (Buffer)	DBVDD	1.71		3.6	V
Analogue supplies range	AVDD	2.7		3.6	V
Speaker supply range	SPKVDD1, SPKVDD2	2.7		5.5	V
Ground	DGND, AGND, SPKGND1, SPKGND2		0		V

ELECTRICAL CHARACTERISTICS

Test Conditions

DCVDD = 1.8V, DBVDD = 3.3V, AVDD = SPKVDD1 = SPKVDD2 = 3.3V, T_A = +25°C, 1kHz signal, fs = 48kHz, PGA gain = 0dB, 24-bit audio data unless otherwise stated.

PARAMETER	SYMBOL	TEST CONDITIONS	MIN	TYP	MAX	UNIT
Analogue Inputs (LINPUT1, RINPUT1, LINPUT2, LINPUT3, RINPUT2, RINPUT3)						
Full-scale Input Signal Level – note this changes in proportion to AVDD	V _{INFS}	L/RINPUT1,2,3 Single-ended		1.0 0		V _{rms} dBV
		L/RINPUT1,2,3 Differential MIC		0.5 -6		V _{rms} dBV
Mic PGA equivalent input noise		0 to 20kHz, +30dB gain		150		uV
Input resistance (Note that input boost and bypass path resistances will be seen in parallel with PGA input resistance when these paths are enabled)	L/R _{INPUT1}	+30dB PGA gain Differential or single-ended MIC configuration		3		kΩ
	L/R _{INPUT1}	0dB PGA gain Differential or single-ended MIC configuration		49		kΩ
	L/R _{INPUT1}	-17.25dB PGA gain Differential or single-ended MIC configuration		87		kΩ
	L/R _{INPUT2} , L/R _{INPUT3}	(Constant for all gains) Differential MIC configuration		85		kΩ
	L/R _{INPUT2} , L/R _{INPUT3}	Max boost gain L/RINPUT2/3 to boost		7.5		kΩ
	L/R _{INPUT2} , L/R _{INPUT3}	0dB boost gain L/RINPUT2/3 to boost		13		kΩ
	L/R _{INPUT2} , L/R _{INPUT3}	Min boost gain L/RINPUT2/3 to boost		37		kΩ
	L/R _{INPUT3}	Max bypass gain L/RINPUT3 to bypass		17		kΩ
	L/R _{INPUT3}	Min bypass gain L/RINPUT3 to bypass		70		kΩ
Input capacitance				10		pF
MIC Programmable Gain Amplifier (PGA)						
Programmable Gain Min				-17.25		dB
Programmable Gain Max				30		dB
Programmable Gain Step Size		Guaranteed monotonic		0.75		dB
Mute Attenuation		LMIC2B = 0 and RMIC2B = 0		85		dB
Selectable Input Gain Boost						
Gain Boost Steps		Input from PGA		0, 13, 20, 29, MUTE		dB
		Input from L/RINPUT2 or L/RINPUT3		-12, -9, -6, -3, 0, 3, 6, MUTE		dB
Analogue Inputs (LINPUT1/2 Differential, RINPUT1/2 Differential) to ADC out via MIC PGA						
Signal to Noise Ratio (A-weighted)	SNR	AVDD = 3.3V		94		dB
		AVDD = 2.7V		93		
Total Harmonic Distortion Plus Noise	THD+N	-3dBfs input, AVDD = 3.3V		-86 0.005		dB %
		-3dBfs input, AVDD = 2.7V		-80 0.01		

Test Conditions

DCVDD = 1.8V, DBVDD = 3.3V, AVDD = SPKVDD1 = SPKVDD2 = 3.3V, T_A = +25°C, 1kHz signal, fs = 48kHz, PGA gain = 0dB, 24-bit audio data unless otherwise stated.

PARAMETER	SYMBOL	TEST CONDITIONS	MIN	TYP	MAX	UNIT
Total Harmonic Distortion	THD	-3dBfs input, AVDD = 3.3V		-89 0.004		dB %
		-3dBfs input, AVDD = 2.7V		-81 0.009		
Analogue Inputs (LINPUT2, RINPUT2) to ADC out						
Signal to Noise Ratio (A-weighted)	SNR	AVDD = 3.3V	84	94		dB
		AVDD = 2.7V		93		
Total Harmonic Distortion Plus Noise	THD+N	-3dBfs input, AVDD = 3.3V		-86 0.005	-80	dB %
		-3dBfs input, AVDD = 2.7V		-80 0.01		
Total Harmonic Distortion	THD	-3dBfs input, AVDD = 3.3V		-89 0.004	-80	dB %
		-3dBfs input, AVDD = 2.7V		-81 0.009		
Analogue Inputs (LINPUT3, RINPUT3) to ADC out						
Signal to Noise Ratio (A-weighted)	SNR	AVDD = 3.3V		94		dB
		AVDD = 2.7V		93		
Total Harmonic Distortion Plus Noise	THD+N	-3dBfs input, AVDD = 3.3V		-86 0.005		dB %
		-3dBfs input, AVDD = 2.7V		-80 0.01		
Total Harmonic Distortion	THD	-3dBfs input, AVDD = 3.3V		-89 0.004		dB %
		-3dBfs input, AVDD = 2.7V		-81 0.009		
Analogue Inputs (LINPUT1, RINPUT1, LINPUT2, RINPUT2, LINPUT3, RINPUT3) to ADC out						
ADC Channel Separation		1kHz full scale signal into ADC via L/RINPUT1, MIC amp (single-ended) and boost		95		dB
		1kHz full scale signal into ADC via L/RINPUT1/2, MIC amp (pseudo- differential) and boost		85		
		1kHz full scale signal into ADC via L/RINPUT2 and boost		85		
		1kHz full scale signal into ADC via L/RINPUT3 and boost		92		
Line Input / MIC Separation (Quiescent input to ADC via boost; Output on ADC; 1kHz on L/RINPUT3 to HP out via bypass path)		Single-ended MIC input on L/RINPUT1		98		dB
		Differential MIC input using L/RINPUT2		90		
Boost / Bypass Separation (Quiescent L/RINPUT3 to HP outputs via bypass)		1kHz on LINPUT2 to ADC via boost only		96		dB
		1kHz on LINPUT1 to ADC via single-ended MIC PGA & boost		116		
Channel Matching		1kHz signal		0.2		dB

Test Conditions

DCVDD = 1.8V, DBVDD = 3.3V, AVDD = SPKVDD1 = SPKVDD2 = 3.3V, T_A = +25°C, 1kHz signal, fs = 48kHz, PGA gain = 0dB, 24-bit audio data unless otherwise stated.

PARAMETER	SYMBOL	TEST CONDITIONS	MIN	TYP	MAX	UNIT
Headphone Outputs (HP_L, HP_R)						
0dB Full scale output voltage				AVDD/3.3		Vrms
Mute attenuation		1kHz, full scale signal		86		dB
Channel Separation		L/RINPUT3 to headphone outputs via bypass		110		dB
DAC to Line-Out (HP_L or HP_R with 10kΩ / 50pF load)						
Signal to Noise Ratio (A-weighted)	SNR	AVDD=3.3V	90	99		dB
		AVDD=2.7V		98		
Total Harmonic Distortion Plus Noise	THD+N	AVDD=3.3V		-85	-80	dB
		AVDD=2.7V		-90		
Total Harmonic Distortion	THD	AVDD=3.3V		-87	-80	dB
		AVDD=2.7V		-92		
Channel Separation		1kHz full scale signal		110		dB
DAC to Line-Out (OUT3 with 10kΩ / 50pF load)						
Signal to Noise Ratio (A-weighted)	SNR	AVDD=3.3V		99		dB
		AVDD=2.7V		98		
Total Harmonic Distortion Plus Noise	THD+N	AVDD=3.3V		-85		dB
		AVDD=2.7V		-90		
Total Harmonic Distortion	THD	AVDD=3.3V		-87		dB
		AVDD=2.7V		-92		
Channel Separation		1kHz full scale signal		110		dB
Headphone Output (HP_L, HP_R, using capacitors unless otherwise specified)						
Output Power per channel	P _O	Output power is very closely correlated with THD; see below.				
Total Harmonic Distortion Plus Noise	THD+N	AVDD=2.7V, R _L =32Ω P _O =5mW		-78 0.013		dB %
		AVDD=2.7V, R _L =16Ω P _O =5mW		-75 0.018		
		AVDD=3.3V, R _L =32Ω, P _O =20mW		-72 0.025		
		AVDD=3.3V, R _L =16Ω, P _O =20mW		-70 0.032		
Signal to Noise Ratio (A-weighted)	SNR	AVDD = 3.3V	92	99		dB
		AVDD = 2.7V		98		
Speaker Outputs (DAC to SPK_LP, SPK_LN, SPK_RP, SPK_RN with 8Ω bridge tied load)						
Output Power	P _O	Output power is very closely correlated with THD; see below				
Total Harmonic Distortion Plus Noise (DAC to speaker outputs)	THD+N	P _O =200mW, R _L = 8Ω, SPKVDD1=SPKVDD2 =3.3V; AVDD=3.3V		-78 0.013		dB %
		P _O =320mW, R _L = 8Ω, SPKVDD1=SPKVDD2 =3.3V; AVDD=3.3V		-72 0.025		
		P _O =500mW, R _L = 8Ω, SPKVDD1=SPKVDD2 =5V; AVDD=3.3V		-75 0.018		
		P _O =1W, R _L = 8Ω, SPKVDD1=SPKVDD2 =5V; AVDD=3.3V		-70 0.032		

Test Conditions

DCVDD = 1.8V, DBVDD = 3.3V, AVDD = SPKVDD1 = SPKVDD2 = 3.3V, T_A = +25°C, 1kHz signal, fs = 48kHz, PGA gain = 0dB, 24-bit audio data unless otherwise stated.

PARAMETER	SYMBOL	TEST CONDITIONS	MIN	TYP	MAX	UNIT
Total Harmonic Distortion Plus Noise (LINPUT3 and RINPUT3 to speaker outputs)	THD+N	P _O =200mW, R _L = 8Ω, SPKVDD1=SPKVDD2 =3.3V; AVDD=3.3V		-78 0.013		dB %
		P _O =320mW, R _L = 8Ω, SPKVDD1=SPKVDD2 =3.3V; AVDD=3.3V		-72 0.025		dB %
		P _O =500mW, R _L = 8Ω, SPKVDD1=SPKVDD2 =5V; AVDD=3.3V		-75 0.018		dB %
		P _O =1W, R _L = 8Ω, SPKVDD1=SPKVDD2 =5V; AVDD=3.3V		-70 0.032		dB %
Signal to Noise Ratio (A-weighted) (DAC to speaker outputs)	SNR	SPKVDD1=SPKVDD2 =3.3V; AVDD=3.3V; R _L = 8Ω, ref=2.0Vrms		90		dB
		SPKVDD1=SPKVDD2 =5V; AVDD=3.3V; R _L = 8Ω, ref=2.8Vrms		92		dB
Signal to Noise Ratio (A-weighted) (LINPUT3 and RINPUT3 to speaker outputs)	SNR	SPKVDD1=SPKVDD2 =3.3V; AVDD=3.3V; R _L = 8Ω, ref=2.0Vrms		90		dB
		SPKVDD1=SPKVDD2 =5V; AVDD=3.3V; R _L = 8Ω, ref=2.8Vrms		92		dB
Speaker Supply Leakage current	I _{SPKVDD}	SPKVDD1=SPKVDD2 =5V; All other supplies disconnected		1		uA
		SPKVDD1=SPKVDD2 =5V; All other supplies 0V		1		uA
Power Supply Rejection Ratio (100mV ripple on SPKVDD1/SPKVDD2 @217Hz)	PSRR	DAC to speaker playback		80		dB
		L/RINPUT3 to speaker playback		80		dB
Analogue Reference Levels						
Midrail Reference Voltage	VMID		-3%	AVDD/2	+3%	V
Microphone Bias						
Bias Voltage	V _{MICBIAS}	3mA load current MBSEL=1	-5%	0.9×AVDD	+ 5%	V
		3mA load current MBSEL=0	-5%	0.65×AVDD	+ 5%	V
Bias Current Source	I _{MICBIAS}				3	mA
Output Noise Voltage	V _n	1K to 20kHz		15		nV/√Hz
Digital Input / Output						
Input HIGH Level	V _{IH}		0.7×DBVDD			V
Input LOW Level	V _{IL}				0.3×DBVDD	V
Output HIGH Level	V _{OH}	I _{OL} =1mA	0.9×DBVDD			V
Output LOW Level	V _{OL}	I _{OH} =-1mA			0.1×DBVDD	V
Input capacitance				10		pF
Input leakage			-0.9		0.9	uA

OUTPUT PGA GAIN

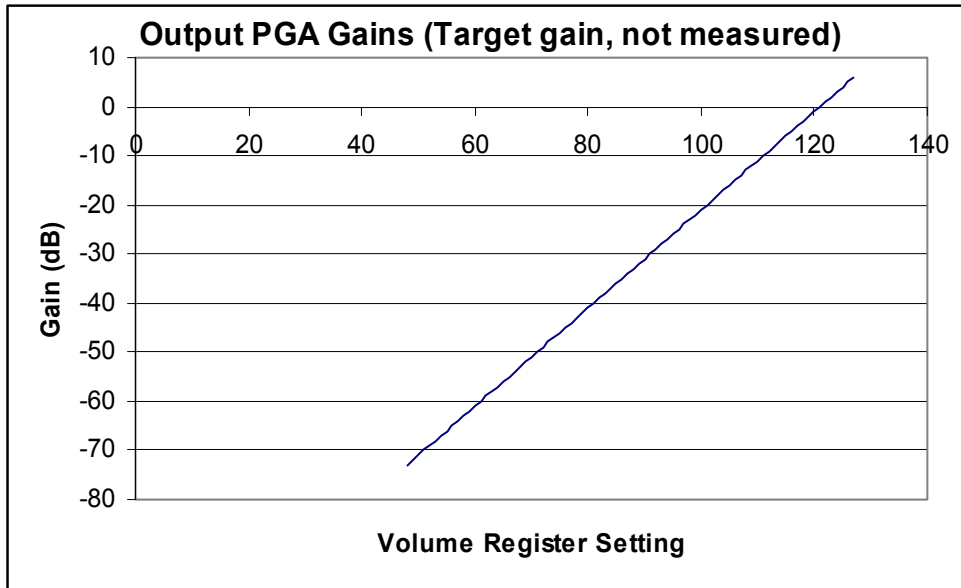


Figure 1 Output PGA Gains (LOUT1VOL, ROUT1VOL, SPKLVOL, SPKRVOL)

TYPICAL POWER CONSUMPTION

OFF, SLEEP MODE									
	DCVDD (V)	DBVDD (V)	SPKVDD (V)	AVDD (V)	DCVDD (mA)	DBVDD (mA)	SPKVDD (mA)	AVDD (mA)	Total Power (mW)
Off - Default state at power up	1.71	1.71	2.7	2.7	0.00	0.00	0.00	0.03	0.08
	1.8	1.8	3	3	0.00	0.00	0.00	0.03	0.10
	1.8	3.3	3.3	3.3	0.00	0.00	0.00	0.03	0.11
	3.6	3.6	5.5	3.6	0.00	0.00	0.00	0.03	0.13
Off - Thermal sensor disabled, no clocks	1.71	1.71	2.7	2.7	0.00	0.00	0.00	0.01	0.02
	1.8	1.8	3	3	0.00	0.00	0.00	0.01	0.03
	1.8	3.3	3.3	3.3	0.00	0.00	0.00	0.01	0.03
	3.6	3.6	5.5	3.6	0.00	0.00	0.00	0.01	0.04
Sleep - Thermal sensors enabled, VMID enabled using 250k VMID resistors	1.71	1.71	2.7	2.7	0.00	0.00	0.00	0.03	0.09
	1.8	1.8	3	3	0.00	0.00	0.00	0.04	0.11
	1.8	3.3	3.3	3.3	0.00	0.00	0.00	0.04	0.12
	3.6	3.6	5.5	3.6	0.00	0.00	0.00	0.04	0.13

PLAYBACK MODE									
	DCVDD (V)	DBVDD (V)	SPKVDD (V)	AVDD (V)	DCVDD (mA)	DBVDD (mA)	SPKVDD (mA)	AVDD (mA)	Total Power (mW)
Playback Mode - Playback to 8Ohm speakers, slave mode (no signal)	1.71	1.71	2.7	2.7	3.15	0.00	1.45	4.89	22.5
	1.8	1.8	3	3	3.34	0.00	1.63	5.53	27.5
	1.8	3.3	3.3	3.3	3.33	0.01	1.81	6.18	32.4
	3.6	3.6	5.5	3.6	7.53	0.00	3.23	6.85	69.5
Playback Mode - Playback to 8Ohm speakers, slave mode (0dB FS 1kHz signal)	1.71	1.71	2.7	2.7	3.27	0.00	267	4.93	738.5
	1.8	1.8	3	3	3.47	0.00	293	5.58	902.4
	1.8	3.3	3.3	3.3	3.47	0.01	321	6.23	1085.6
	3.6	3.6	5.5	3.6	8.76	0.01	511	6.54	2868.2
Playback Mode - Playback to 8Ohm speakers, master mode, PLL enabled (no signal)	1.71	1.71	2.7	2.7	2.99	0.47	1.47	5.82	25.6
	1.8	1.8	3	3	3.16	0.49	1.65	6.57	31.2
	1.8	3.3	3.3	3.3	3.16	0.92	1.84	7.34	39.0
	3.6	3.6	5.5	3.6	7.95	1.00	3.29	8.12	79.6
Playback Mode - Playback to 16Ohm HP, slave mode. No Signal	1.71	1.71	2.7	2.7	3.15	0.00	0.00	3.75	15.5
	1.8	1.8	3	3	3.33	0.00	0.00	4.24	18.7
	1.8	3.3	3.3	3.3	3.33	0.01	0.00	4.74	21.7
	3.6	3.6	5.5	3.6	8.25	0.00	0.00	5.25	48.6
Playback Mode - Playback to 16Ohm HP, slave mode (0dB FS 1kHz signal)	1.71	1.71	2.7	2.7	3.26	0.00	0.00	38.68	110.0
	1.8	1.8	3	3	3.46	0.00	0.00	43.53	136.8
	1.8	3.3	3.3	3.3	3.46	0.01	0.00	48.32	165.7
	3.6	3.6	5.5	3.6	8.52	0.00	0.00	53.06	221.7
Playback Mode - Playback to 16Ohm HP, slave mode (5mW/channel output)	1.71	1.71	2.7	2.7	3.26	0.00	0.00	17.44	52.7
	1.8	1.8	3	3	3.44	0.00	0.00	17.91	59.9
	1.8	3.3	3.3	3.3	3.45	0.01	0.00	18.37	66.9
	3.6	3.6	5.5	3.6	8.51	0.00	0.00	18.84	98.5
Playback Mode - Playback to 16Ohm HP, slave mode. (0.1mW/channel output)	1.71	1.71	2.7	2.7	3.25	0.00	0.00	5.47	20.3
	1.8	1.8	3	3	3.45	0.00	0.00	5.92	24.0
	1.8	3.3	3.3	3.3	3.45	0.01	0.00	6.37	27.2
	3.6	3.6	5.5	3.6	8.49	0.00	0.00	6.83	55.2
Playback Mode - Playback to 16Ohm HP, master mode, PLL enabled (no signal)	1.71	1.71	2.7	2.7	2.97	0.47	0.00	4.69	18.5
	1.8	1.8	3	3	3.14	0.49	0.00	5.29	22.4
	1.8	3.3	3.3	3.3	3.14	0.92	0.00	5.91	28.2
	3.6	3.6	5.5	3.6	7.91	1.01	0.00	6.55	55.7
Playback Mode - Playback to 10kOhm HP, slave mode (0dB FS 1kHz signal)	1.71	1.71	2.7	2.7	3.26	0.00	0.00	3.81	15.9
	1.8	1.8	3	3	3.46	0.00	0.00	4.30	19.1
	1.8	3.3	3.3	3.3	3.45	0.01	0.00	4.80	22.1
	3.6	3.6	5.5	3.6	8.51	0.00	0.00	5.31	49.8
Bypass Mode - Stereo playback bypassing ADC and DAC to Class D 8Ohm speaker (no signal)	1.71	1.71	2.7	2.7	0.28	0.00	1.47	3.07	12.7
	1.8	1.8	3	3	0.30	0.00	1.64	3.48	15.9
	1.8	3.3	3.3	3.3	0.30	0.01	1.82	3.91	19.5
	3.6	3.6	5.5	3.6	0.76	0.00	3.27	4.35	36.4
Bypass Mode - Stereo playback bypassing ADC and DAC to 16Ohm HP (no signal)	1.71	1.71	2.7	2.7	0.00	0.00	0.00	1.84	5.0
	1.8	1.8	3	3	0.00	0.00	0.00	2.09	6.3
	1.8	3.3	3.3	3.3	0.00	0.00	0.00	2.36	7.8
	3.6	3.6	5.5	3.6	0.00	0.00	0.00	2.62	9.5

RECORD MODE									
	DCVDD (V)	DBVDD (V)	SPKVDD (V)	AVDD (V)	DCVDD (mA)	DBVDD (mA)	SPKVDD (mA)	AVDD (mA)	Total Power (mW)
Record Mode - Stereo I/P into ADC sampling at 16kHz (no signal)	1.71	1.71	2.7	2.7	1.10	0.01	0.00	5.84	17.7
	1.8	1.8	3	3	1.17	0.01	0.00	6.24	20.8
	1.8	3.3	3.3	3.3	1.17	0.01	0.00	6.64	24.1
	3.6	3.6	5.5	3.6	2.92	0.01	0.00	7.05	35.9
Record Mode - Stereo I/P into ADC sampling at 44.1kHz (no signal)	1.71	1.71	2.7	2.7	2.99	0.01	0.00	5.99	21.3
	1.8	1.8	3	3	3.19	0.01	0.00	6.41	25.0
	1.8	3.3	3.3	3.3	3.19	0.03	0.00	6.83	28.4
	3.6	3.6	5.5	3.6	7.94	0.02	0.00	7.26	54.8
Record Mode - Stereo I/P into ADC sampling at 48kHz (no signal)	1.71	1.71	2.7	2.7	3.27	0.02	0.00	6.01	21.9
	1.8	1.8	3	3	3.47	0.02	0.00	6.44	25.6
	1.8	3.3	3.3	3.3	3.47	0.03	0.00	6.86	29.0
	3.6	3.6	5.5	3.6	8.63	0.03	0.00	7.29	57.4
Record Mode - Stereo I/P into ADC sampling at 44.1kHz with ALC enabled (no signal)	1.71	1.71	2.7	2.7	3.01	0.01	0.00	5.99	21.4
	1.8	1.8	3	3	3.20	0.02	0.00	6.41	25.0
	1.8	3.3	3.3	3.3	3.20	0.03	0.00	6.84	28.4
	3.6	3.6	5.5	3.6	7.97	0.03	0.00	7.27	54.9

Note:

1. Power in the load is included.

SIGNAL TIMING REQUIREMENTS

SYSTEM CLOCK TIMING

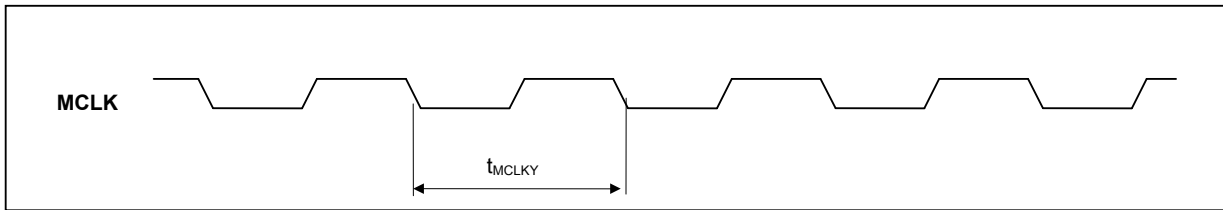


Figure 2 System Clock Timing Requirements

Test Conditions

DCVDD=1.8V, DBVDD=AVDD=SPKVDD1=SPKVDD2=3.3V, DGND=AGND=SPKGND1=SPKGND2=0V, T_A = +25°C

PARAMETER	SYMBOL	CONDITIONS	MIN	TYP	MAX	UNIT
System Clock Timing Information						
MCLK cycle time	T _{MCLKY}		33.33			ns
MCLK duty cycle	T _{MCLKDS}		60:40		40:60	

AUDIO INTERFACE TIMING – MASTER MODE

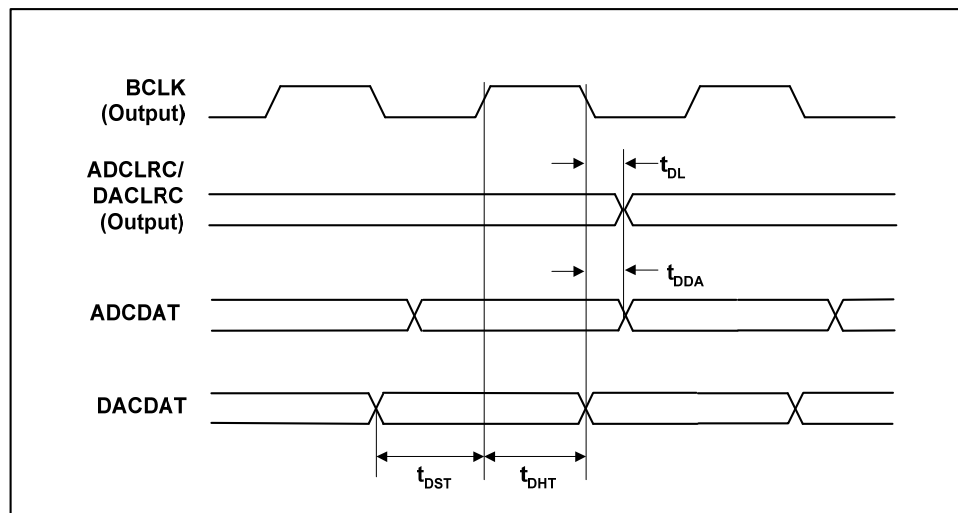


Figure 2 Digital Audio Data Timing – Master Mode (see Control Interface)

Test Conditions

DCVDD=1.8V, DBVDD=AVDD=SPKVDD1=SPKVDD2=3.3V, DGND=AGND=SPKGND1=SPKGND2=0V, T_A=+25°C, Slave Mode, fs=48kHz, MCLK=256fs, 24-bit data, unless otherwise stated.

PARAMETER	SYMBOL	MIN	TYP	MAX	UNIT
Audio Data Input Timing Information					
ADCLRC/DACLRC propagation delay from BCLK falling edge	t _{DL}			10	ns
ADCDAT propagation delay from BCLK falling edge	t _{DDA}			10	ns
DACDAT setup time to BCLK rising edge	t _{DST}	10			ns
DACDAT hold time from BCLK rising edge	t _{DHT}	10			ns

AUDIO INTERFACE TIMING – SLAVE MODE

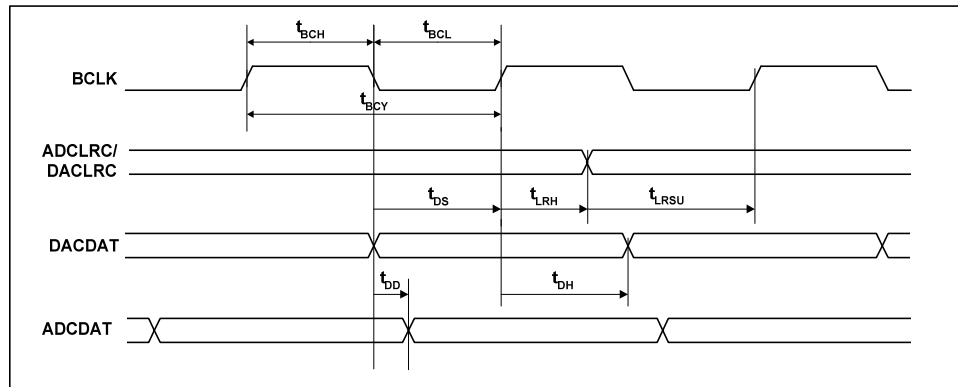


Figure 3 Digital Audio Data Timing – Slave Mode

Test Conditions

DCVDD=1.8V, DBVDD=AVDD=SPKVDD1=SPKVDD2=3.3V, DGND=AGND=SPKGND1=SPKGND2=0V, T_A=+25°C, Slave Mode, fs=48kHz, MCLK= 256fs, 24-bit data, unless otherwise stated.

PARAMETER	SYMBOL	MIN	TYP	MAX	UNIT
Audio Data Input Timing Information					
BCLK cycle time	t _{BCY}	50			ns
BCLK pulse width high	t _{BCH}	20			ns
BCLK pulse width low	t _{BCL}	20			ns
ADCLRC/DACLRC set-up time to BCLK rising edge	t _{LRSU}	10			ns
ADCLRC/DACLRC hold time from BCLK rising edge	t _{LRH}	10			ns
DACDAT hold time from BCLK rising edge	t _{DH}	10			ns
ADCDAT propagation delay from BCLK falling edge	t _{DD}			10	ns
DACDAT set-up time to BCLK rising edge	t _{DS}	10			ns

Note:

BCLK period should always be greater than or equal to MCLK period.

CONTROL INTERFACE TIMING – 2-WIRE MODE

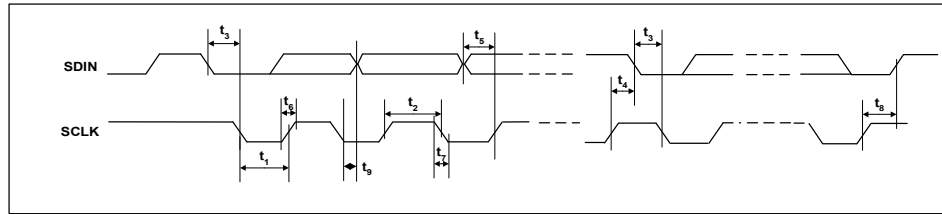


Figure 4 Control Interface Timing – 2-Wire Serial Control Mode

Test Conditions

DCVDD=1.8V, DBVDD=AVDD=SPKVDD1=SPKVDD2=3.3V, DGND=AGND=SPKGND1=SPKGND2=0V, T_A=+25°C, Slave Mode, fs=48kHz, MCLK = 256fs, 24-bit data, unless otherwise stated.

PARAMETER	SYMBOL	MIN	TYP	MAX	UNIT
Program Register Input Information					
SCLK Frequency				526	kHz
SCLK Low Pulse-Width	t_1	1.3			us
SCLK High Pulse-Width	t_2	600			ns
Hold Time (Start Condition)	t_3	600			ns
Setup Time (Start Condition)	t_4	600			ns
Data Setup Time	t_5	100			ns
SDIN, SCLK Rise Time	t_6			300	ns
SDIN, SCLK Fall Time	t_7			300	ns
Setup Time (Stop Condition)	t_8	600			ns
Data Hold Time	t_9			900	ns
Pulse width of spikes that will be suppressed	t_{ps}	0		5	ns

INTERNAL POWER ON RESET CIRCUIT

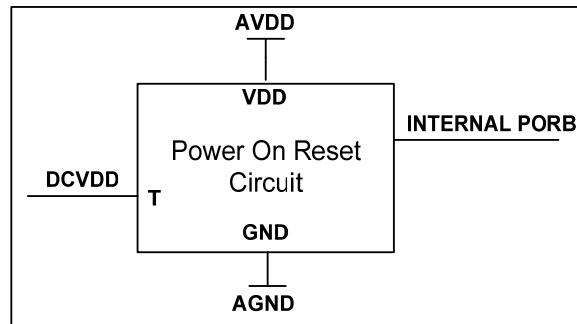


Figure 5 Internal Power on Reset Circuit Schematic

The WM8960 includes an internal Power-On-Reset Circuit, as shown in Figure 5, which is used to reset the digital logic into a default state after power up. The POR circuit is powered from AVDD and monitors DCVDD. It asserts PORB low if AVDD or DCVDD is below a minimum threshold.

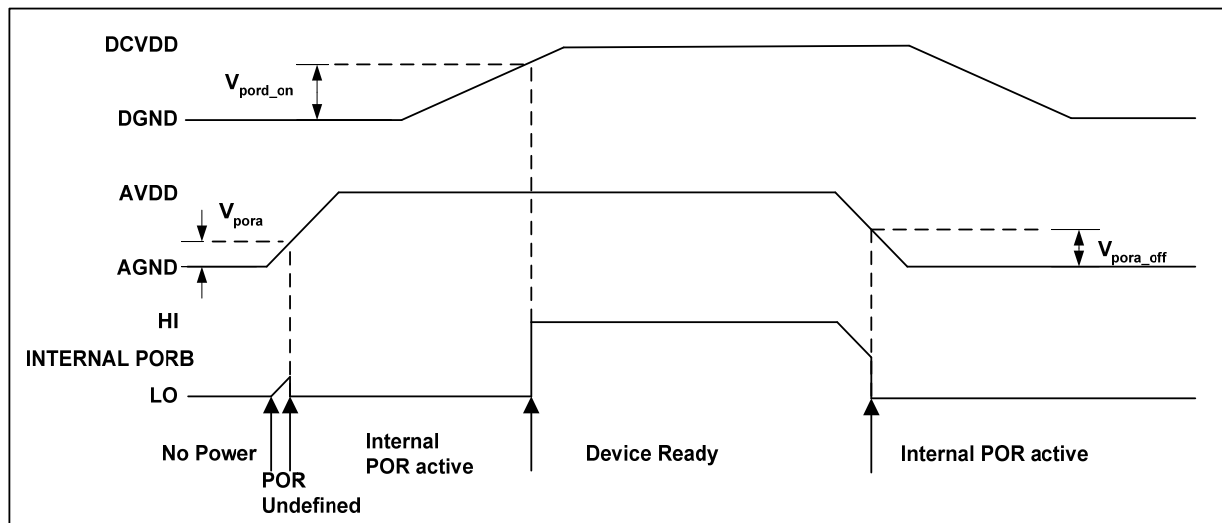


Figure 6 Typical Power up Sequence where AVDD is Powered before DCVDD

Figure 6 shows a typical power-up sequence where AVDD comes up first. When AVDD goes above the minimum threshold, V_{pora} , there is enough voltage for the circuit to guarantee PORB is asserted low and the chip is held in reset. In this condition, all writes to the control interface are ignored. Now AVDD is at full supply level. Next DCVDD rises to V_{pord_on} and PORB is released high and all registers are in their default state and writes to the control interface may take place.

On power down, where AVDD falls first, PORB is asserted low whenever AVDD drops below the minimum threshold V_{pora_off} .

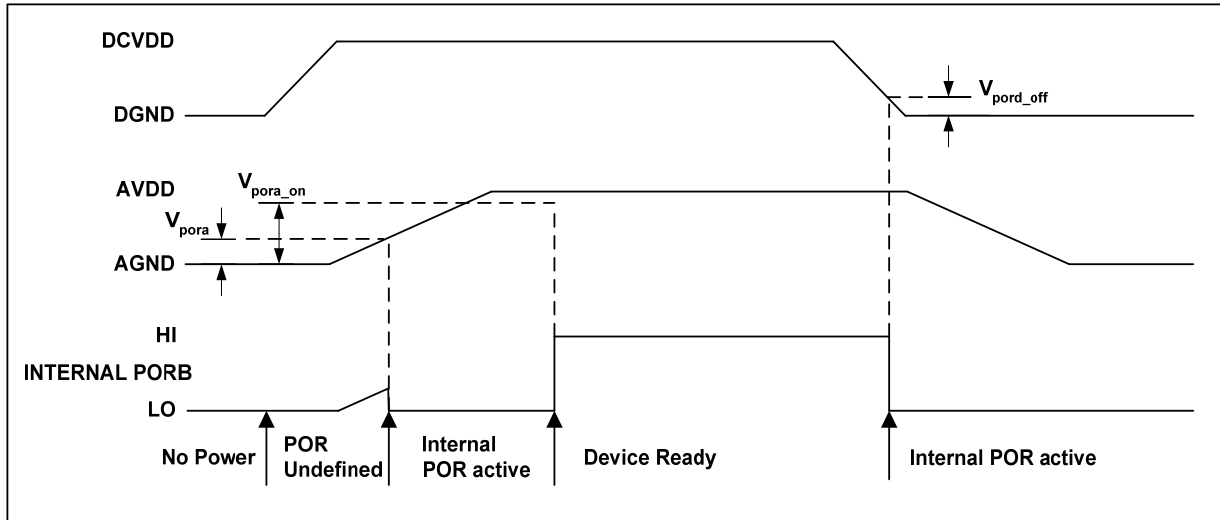


Figure 7 Typical Power up Sequence where DCVDD is Powered before AVDD

Figure 7 shows a typical power-up sequence where DCVDD comes up first. First it is assumed that DCVDD is already up to specified operating voltage. When AVDD goes above the minimum threshold, V_{pora} , there is enough voltage for the circuit to guarantee PORB is asserted low and the chip is held in reset. In this condition, all writes to the control interface are ignored. When AVDD rises to V_{pora_on} , PORB is released high and all registers are in their default state and writes to the control interface may take place.

On power down, where DCVDD falls first, PORB is asserted low whenever DCVDD drops below the minimum threshold V_{pord_off} .

SYMBOL	MIN	TYP	MAX	UNIT
V_{pora}	0.4	0.6	0.8	V
V_{pora_on}	0.9	1.2	1.6	V
V_{pora_off}	0.4	0.6	0.8	V
V_{pord_on}	0.5	0.7	0.9	V
V_{pord_off}	0.4	0.6	0.8	V

Table 1 Typical POR Operation (typical values, not tested)

Notes:

1. If AVDD and DCVDD suffer a brown-out (i.e. drop below the minimum recommended operating level but do not go below V_{pora_off} or V_{pord_off}) then the chip will not reset and will resume normal operation when the voltage is back to the recommended level again.
2. The chip will enter reset at power down when AVDD or DCVDD falls below V_{pora_off} or V_{pord_off} . This may be important if the supply is turned on and off frequently by a power management system.
3. The minimum t_{por} period is maintained even if DCVDD and AVDD have zero rise time. This specification is guaranteed by design rather than test.

DEVICE DESCRIPTION

INTRODUCTION

The WM8960 is a low power audio CODEC offering a combination of high quality audio, advanced features, low power and small size. These characteristics make it ideal for portable digital audio applications with stereo speaker and headphone outputs such as games consoles, portable media players and multimedia phones.

Stereo class D speaker drivers can provide >1W per channel into 8Ω loads. BTL configuration provides high power output and excellent PSRR. Low leakage and pop/click suppression mechanisms allow direct battery connection, reducing component count and power consumption in portable battery-powered applications. Highly flexible speaker boost settings provide fully internal level-shifting of analogue output signals, allowing speaker output power to be maximised while minimising other analogue supply currents, and requiring no additional components.

A flexible input configuration includes support for two stereo microphone interfaces (single-ended or pseudo-differential) and additional stereo line inputs. Up to three stereo analogue input sources are available, removing the need for external analogue switches in many applications. Boost amplifiers are available for additional gain on the microphone inputs and a programmable gain amplifier with a mixed signal automatic level control (ALC) keeps the recording volume constant.

The stereo ADC and DAC are of hi-fi quality using a 24-bit, low-order oversampling architecture to deliver optimum performance. A flexible clocking arrangement supports mixed ADC and DAC sample rates.

The DAC output signal can be mixed with analogue input signals from the line inputs or bypass paths. This mix is available on speaker and headphone/line outputs.

The WM8960 has a configurable digital audio interface where ADC data can be read and digital audio playback data fed to the DAC. It supports a number of audio data formats including I²S, DSP Mode (a burst mode in which frame sync plus two data packed words are transmitted), MSB-First, left justified and MSB-First, right justified, and can operate in master or slave modes. In PCM mode A-law and μ -law companding is supported.

The SYSCLK (system clock) provides clocking for the ADCs, DACs, DSP core, class D outputs and the digital audio interface. SYSCLK can be derived directly from the MCLK pin or via an integrated PLL, providing flexibility to support a wide range of clocking schemes. All MCLK frequencies typically used in portable systems are supported for sample rates between 8kHz and 48kHz. A flexible switching clock for the class D speaker drivers (synchronous with the audio DSP clocks for best performance) is also derived from SYSCLK.

To allow full software control over all its features, the WM8960 uses a 2 wire control interface. It is fully compatible and an ideal partner for a wide range of industry standard microprocessors, controllers and DSPs. Unused circuitry can be disabled via software to save power, while low leakage currents extend standby and off time in portable battery-powered applications.

INPUT SIGNAL PATH

The WM8960 has three flexible stereo analogue input channels which can be configured as line inputs, differential microphone inputs or single-ended microphone inputs. Line inputs and microphone PGA outputs can be routed to the hi-fi ADCs or directly to the output mixers via a bypass path.

MICROPHONE INPUTS

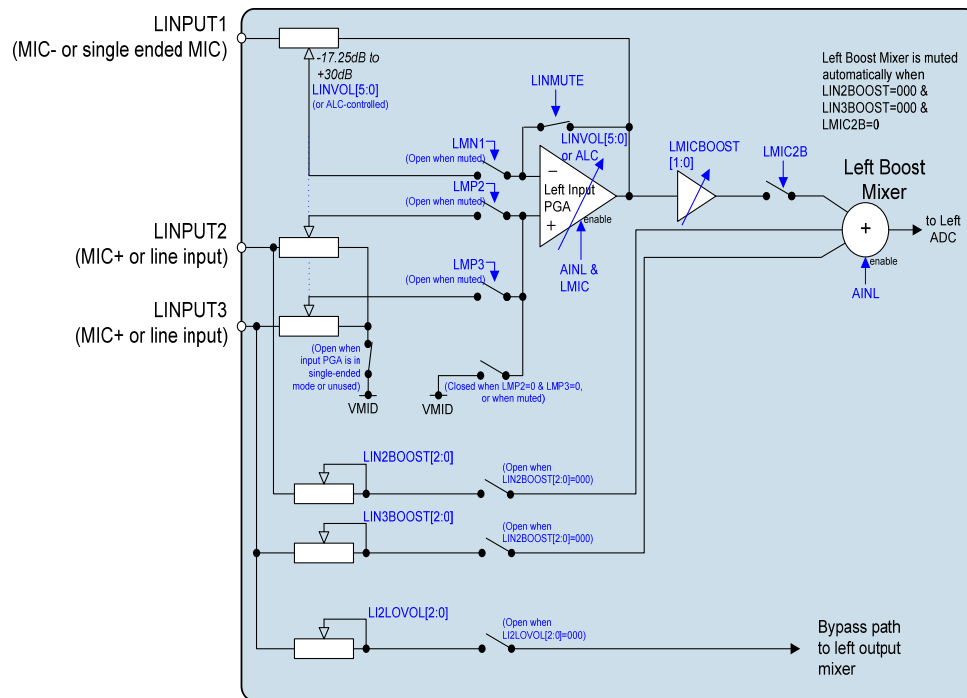
Differential microphones can be connected between LINPUT1 and LINPUT2 or LINPUT3, and between RINPUT1 and RINPUT2 or RINPUT3. Alternatively single-ended microphones can be connected to LINPUT1 or RINPUT1.

In single-ended microphone input configuration the microphone signal should be input to LINPUT1 or RINPUT1 and the internal non-inverting input of the input PGA should be switched to VMID.

In differential mode the larger signal should be input to LINPUT2 or LINPUT3 on the left channel, or RINPUT2 or RINPUT3 on the right channel. The smaller (e.g. noisy ground connection) should be input to LINPUT1 or RINPUT1.

The gain of the microphone PGAs can be controlled directly via software, or using the ALC / Limiter.

The inputs LINPUT2, RINPUT2, LINPUT3 and RINPUT3 should not be connected to the boost mixer or bypass path while operating as the non-inverting input in differential microphone configuration.



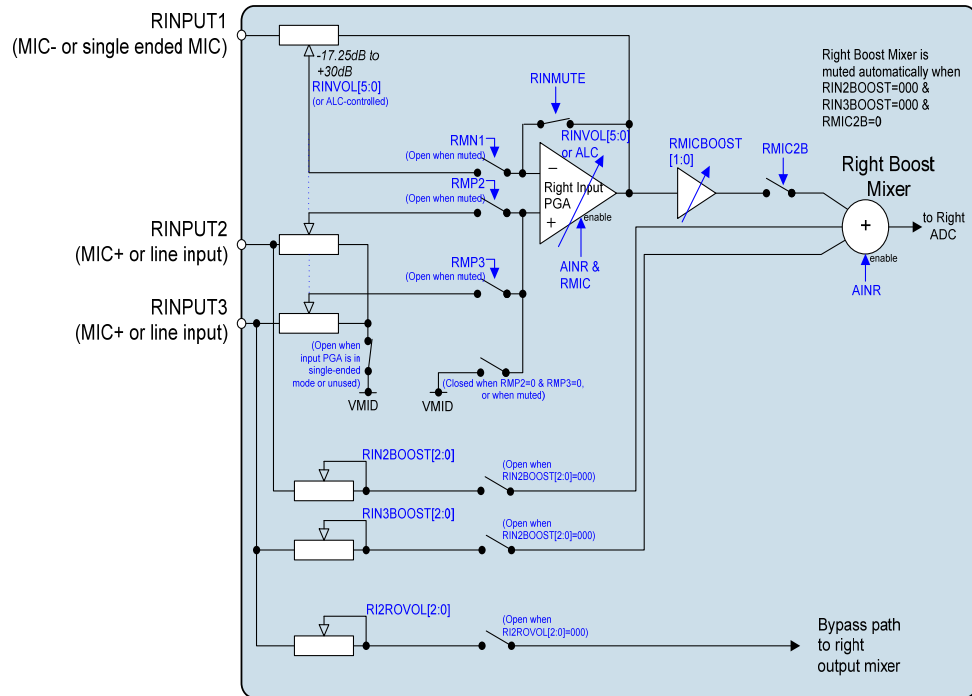


Figure 8 Microphone Input PGA Circuit

The input PGAs and boost mixers are enabled by the AINL and AINR register bits. The microphone PGAs can be also disabled independently of the boost mixer to save power, using LMIC and RMIC register bits.

REGISTER ADDRESS	BIT	LABEL	DEFAULT	DESCRIPTION
R25 (19h) Power Management (1)	5	AINL	0	Left channel input PGA and boost stage enable 0 = PGA disabled, boost disabled 1 = PGA enabled (if LMIC = 1), boost enabled
	4	AINR	0	Right channel input PGA and boost stage enable 0 = PGA disabled, boost disabled 1 = PGA enabled (if LMIC = 1), boost enabled
R47 (2Fh) Power Management (3)	5	LMIC	0	Left channel input PGA enable 0 = PGA disabled 1 = PGA enabled (if AINL = 1)
	4	RMIC	0	Right channel input PGA enable 0 = PGA disabled 1 = PGA enabled (if AINR = 1)

Table 2 Input PGA and Boost Enable Register Settings

The input PGAs can be configured as differential inputs, using LINPUT1/LINPUT2 or LINPUT1/LINPUT3, and RINPUT1/RINPUT2 or RINPUT1/RINPUT3. The input impedance to these non-inverting inputs is constant in this configuration. Differential configuration is controlled by LMP2, LMP3, RMP2 and RMP3 as shown in Table 3.

When single-ended configuration is selected, the non-inverting input of the PGA is connected to VMID.

REGISTER ADDRESS	BIT	LABEL	DEFAULT	DESCRIPTION
R32 (20h) ADCL Input Signal Path	3	LMIC2B	0	Connect Left Input PGA to Left Input Boost mixer 0 = Not connected 1 = Connected
	6	LMP2	0	Connect LINPUT2 to non-inverting input of Left Input PGA 0 = LINPUT2 not connected to PGA 1 = LINPUT2 connected to PGA (Constant input impedance)
	7	LMP3	0	Connect LINPUT3 to non-inverting input of Left Input PGA 0 = LINPUT3 not connected to PGA 1 = LINPUT3 connected to PGA (Constant input impedance)
	8	LMN1	1	Connect LINPUT1 to inverting input of Left Input PGA 0 = LINPUT1 not connected to PGA 1 = LINPUT1 connected to PGA
R33 (21h) ADCR Input Signal Path	3	RMIC2B	0	Connect Right Input PGA to Right Input Boost mixer 0 = Not connected 1 = Connected
	6	RMP2	0	Connect RINPUT2 to non-inverting input of Right Input PGA 0 = RINPUT2 not connected to PGA 1 = RINPUT2 connected to PGA (Constant input impedance)
	7	RMP3	0	Connect RINPUT3 to non-inverting input of Right Input PGA 0 = RINPUT3 not connected to PGA 1 = RINPUT3 connected to PGA (Constant input impedance)
	8	RMN1	1	Connect RINPUT1 to inverting input of Right Input PGA 0 = RINPUT1 not connected to PGA 1 = RINPUT1 connected to PGA

Table 3 Input PGA Control

INPUT PGA VOLUME CONTROLS

The input PGAs have a gain range from -17.25dB to +30dB in 0.75dB steps. The gains from the inverting inputs (LINPUT1 and RINPUT1) to the PGA outputs and from the non-inverting inputs (LINPUT2/RINPUT2 and LINPUT3/RINPUT3) to the PGA output are always common in differential configuration and controlled by the register bits LINVOL[5:0] and RINVOL[5:0].

When the Automatic Level Control (ALC) is enabled the input PGA gains are controlled automatically and the LINVOL and RINVOL bits should not be used.

The left and right input PGAs can be independently muted using the LINMUTE and RINMUTE register bits.

To allow simultaneous volume updates of left and right channels, PGA gains are not altered until a 1 is written to the IPVU bit.

To prevent "zipper noise", a zero-cross function is provided, so that when enabled, volume updates will not take place until a zero-crossing is detected. In the event of a long period without zero-crossings, a timeout function is available. When this function is enabled (using the TOEN register bit), the volume will update automatically after a timeout. The timeout period is set by TOCLKSEL. Note that SYSCLK must be running to use this function.

REGISTER ADDRESS	BIT	LABEL	DEFAULT	DESCRIPTION
R0 (00h) Left Channel PGA	8	IPVU	N/A	Input PGA Volume Update Writing a 1 to this bit will cause left and right input PGA volumes to be updated (LINVOL and RINVOL)
	7	LINMUTE	1	Left Input PGA Analogue Mute 1 = Enable Mute 0 = Disable Mute Note: IPVU must be set to un-mute.
	6	LIZC	0	Left Input PGA Zero Cross Detector 1 = Change gain on zero cross only 0 = Change gain immediately
	5:0	LINVOL [5:0]	010111 (0dB)	Left Input PGA Volume Control 111111 = +30dB 111110 = +29.25dB ... 0.75dB steps down to 000000 = -17.25dB
R1 (01h) Right Channel PGA	8	IPVU	N/A	Input PGA Volume Update Writing a 1 to this bit will cause left and right input PGA volumes to be updated (LINVOL and RINVOL)
	7	RINMUTE	1	Right Input PGA Analogue Mute 1 = Enable Mute 0 = Disable Mute Note: IPVU must be set to un-mute.
	6	RIZC	0	Right Input PGA Zero Cross Detector 1 = Change gain on zero cross only 0 = Change gain immediately
	5:0	RINVOL [5:0]	010111 (0dB)	Right Input PGA Volume Control 111111 = +30dB 111110 = +29.25dB ... 0.75dB steps down to 000000 = -17.25dB
R23 (17h) Additional Control (1)	0	TOEN	0	Timeout Enable (Also enables jack detect debounce clock) 0 = Timeout disabled 1 = Timeout enabled
	1	TOCLKSEL	0	Slow Clock Selection (Used for volume update timeouts and for jack detect debounce) 0 = SYSCLK / 2 ²¹ (Slower Response) 1 = SYSCLK / 2 ¹⁹ (Faster Response)

Table 4 Input PGA Volume Control

See "Volume Updates" for more information on volume update bits, zero cross and timeout operation.

LINE INPUTS

Two pairs of stereo line inputs (LINPUT2 / RINPUT2 and LINPUT3 / RINPUT3) are available as analogue inputs into the ADC path. LINPUT3 and RINPUT3 can also be input directly to the output mixers via the bypass paths.

See "Output Signal Path" for more information on the bypass paths.

INPUT BOOST

The input path to the ADCs is via a boost stage, which can mix signals from the microphone PGAs and the line inputs.

The boost stage can provide up to +29dB additional gain from the microphone PGA output to the ADC input, providing a total maximum available analogue gain of +59dB from microphone to ADC. The microphone PGA path to the boost mixer is muted using LINMUTE and RINMUTE as shown in Table 4. Microphone PGA to boost gain settings are shown in Table 5.

REGISTER ADDRESS	BIT	LABEL	DEFAULT	DESCRIPTION
R32 (20h) ADCL Signal path	5:4	LMICBOOST [1:0]	00	Left Channel Input PGA Boost Gain 00 = +0dB 01 = +13dB 10 = +20dB 11 = +29dB
R33 (21h) ADCR Signal path	5:4	RMICBOOST [1:0]	00	Right Channel Input PGA Boost Gain 00 = +0dB 01 = +13dB 10 = +20dB 11 = +29dB

Table 5 Microphone PGA Boost Control

For line inputs, -12dB to +6dB gain is available on the boost mixer, with mute control, as shown in Table 6.

REGISTER ADDRESS	BIT	LABEL	DEFAULT	DESCRIPTION
R43 (2Bh) Input Boost Mixer 1	6:4	LIN3BOOST [2:0]	000	LINPUT3 to Boost Mixer gain 000 = Mute 001 = -12dB ...3dB steps up to 111 = +6dB
	3:1	LIN2BOOST [2:0]	000	LINPUT2 to Boost Mixer gain 000 = Mute 001 = -12dB ...3dB steps up to 111 = +6dB
R44 (2Ch) Input Boost Mixer 2	6:4	RIN3BOOST [2:0]	000	RINPUT3 to Boost Mixer gain 000 = Mute 001 = -12dB ...3dB steps up to 111 = +6dB
	3:1	RIN2BOOST [2:0]	000	RINPUT2 to Boost Mixer gain 000 = Mute 001 = -12dB ...3dB steps up to 111 = +6dB

Table 6 Line Input Boost Control

When all three input paths to the boost mixer are disabled, the boost mixer will automatically be muted.

MICROPHONE BIASING CIRCUIT

The MICBIAS output provides a low noise reference voltage suitable for biasing electret type microphones and the associated external resistor biasing network. Refer to the Applications Information section for recommended external components. The MICBIAS voltage can be altered via the MBSEL register bit. When MBSEL=0, MICBIAS=0.9*AVDD and when MBSEL=1, MICBIAS=0.65*AVDD. The output can be enabled or disabled using the MICB control bit.

REGISTER ADDRESS	BIT	LABEL	DEFAULT	DESCRIPTION
R25 (19h) Power management (1)	1	MICB	0	Microphone Bias Enable 0 = OFF (high impedance output) 1 = ON
R48 (30h) Additional Control (4)	0	MBSEL	0	Microphone Bias Voltage Control 0 = 0.9 * AVDD 1 = 0.65 * AVDD

Table 7 Microphone Bias Control

The internal MICBIAS circuitry is shown in Figure 9. The maximum source current capability for MICBIAS is 3mA. The external biasing resistors therefore must be large enough to limit the MICBIAS current to 3mA.

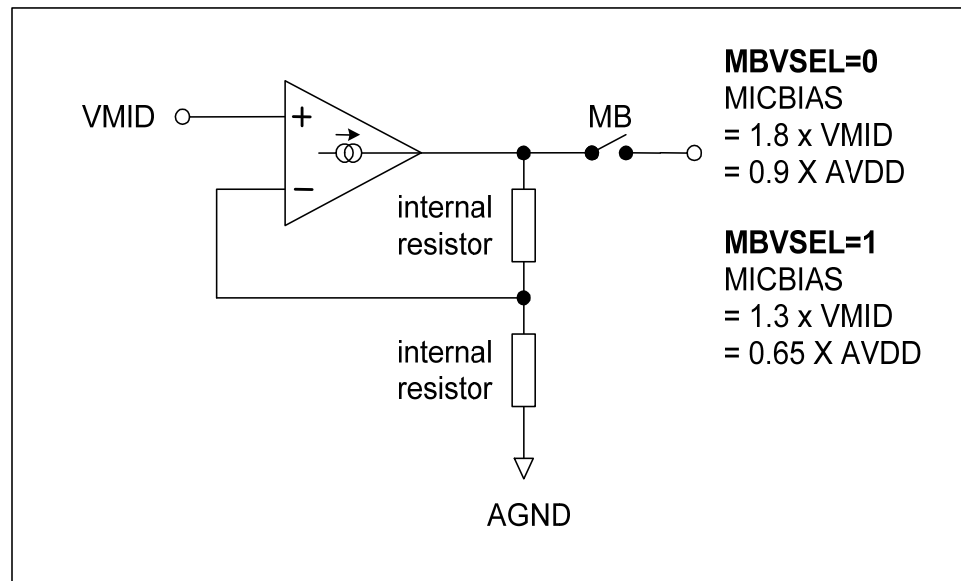


Figure 9 Microphone Bias Schematic

EXAMPLE INPUT CONFIGURATIONS

Some example input configurations are shown below.

<p>AINL=1 LMIC=1 LINMUTE=0 LMN1=1 LMP2=0 LMP3=0 LIN2BOOST=000 LIN3BOOST=000 LI2LO=0</p>	<p>Single-ended MIC configuration on left channel.</p> <p>LINPUT2 and LINPUT3 unused</p>
<p>AINL=1 LMIC=1 LINMUTE=0 LMN1=1 LMP2=1 LMP3=0 LIN2BOOST=000 LIN3BOOST=000 LI2LO=0</p>	<p>Pseudo-differential MIC configuration on left channel using LINPUT1 as ground connection and LINPUT2 as signal input.</p> <p>LINPUT3 unused.</p>
<p>AINL=1 LMIC=1 LINMUTE=0 LMN1=1 LMP2=0 LMP3=0 LIN2BOOST=101 LIN3BOOST=000 LI2LO=0</p>	<p>Single-ended MIC configuration on left channel.</p> <p>LINPUT2 used as additional input to boost stage.</p> <p>LINPUT3 unused.</p>
<p>AINL=1 LMIC=1 LINMUTE=0 LMN1=1 LMP2=0 LMP3=0 LIN2BOOST=000 LIN3BOOST=000 LI2LO=1</p>	<p>Single-ended MIC configuration on left channel.</p> <p>LINPUT3 used as input to bypass path.</p> <p>LINPUT2 unused.</p>

Figure 10 Example Microphone Input Configurations (See also "Recommended External Components")

ANALOGUE TO DIGITAL CONVERTER (ADC)

The WM8960 uses stereo 24-bit, 64x oversampled sigma-delta ADCs. The use of multi-bit feedback and high oversampling rates reduce the effects of jitter and high frequency noise. The ADC Full Scale input level is proportional to AVDD. With a 3.3V supply voltage, the full scale level is 1.0V_{rms}. Any voltage greater than full scale may overload the ADC and cause distortion.

The ADCs are enabled by the ADCL/R register bit.

REGISTER ADDRESS	BIT	LABEL	DEFAULT	DESCRIPTION
R25 (19h) Power management (2)	3	ADCL	0	Enable ADC left channel: 0 = ADC disabled 1 = ADC enabled
	2	ADCR	0	Enable ADC right channel: 0 = ADC disabled 1 = ADC enabled

Table 8 ADC Enable Control

The polarity of the output signal can be changed under software control using the ADCPOL[1:0] register bits. The DATSEL bits are used to select which channel is used for the left and right ADC data.

REGISTER ADDRESS	BIT	LABEL	DEFAULT	DESCRIPTION
R5 (05h) ADC and DAC Control (1)	6:5	ADCPOL[1:0]	00	ADC polarity control: 00 = Polarity not inverted 01 = ADC L inverted 10 = ADC R inverted 11 = ADC L and R inverted
R23 (17h) Additional Control (1)	3:2	DATSEL [1:0]	00	ADC Data Output Select 00: left data = left ADC; right data =right ADC 01: left data = left ADC; right data = left ADC 10: left data = right ADC; right data =right ADC 11: left data = right ADC; right data = left ADC

Table 9 ADC Control

DIGITAL ADC VOLUME CONTROL

The output of the ADCs can be digitally amplified or attenuated over a range from -97dB to +30dB in 0.5dB steps. The volume of each channel can be controlled separately. The gain for a given eight-bit code X is given by:

$$0.5 \times (X-195) \text{ dB for } 1 \leq X \leq 255; \quad \text{MUTE for } X = 0$$

The ADCVU control bit controls the loading of digital volume control data. When ADCVU is set to 0, the LADCVOL or RADCVOL control data will be loaded into the respective control register, but will not actually change the digital gain setting. Both left and right gain settings are updated when ADCVU is set to 1. This makes it possible to update the gain of both channels simultaneously.

REGISTER ADDRESS	BIT	LABEL	DEFAULT	DESCRIPTION
R21 (15h) Left ADC Digital Volume	7:0	LADCVOL [7:0]	11000011 (0dB)	Left ADC Digital Volume Control 0000 0000 = Digital Mute 0000 0001 = -97dB 0000 0010 = -96.5dB ... 0.5dB steps up to 1111 1111 = +30dB
	8	ADCVU	0	ADC Volume Update 0 = Store LADCVOL in intermediate latch (no gain change) 1 = Update left and right channel gains (left = LADCVOL, right = intermediate latch)
R22 (16h) Right ADC Digital Volume	7:0	RADCVOL [7:0]	11000011 (0dB)	Right ADC Digital Volume Control 0000 0000 = Digital Mute 0000 0001 = -97dB 0000 0010 = -96.5dB ... 0.5dB steps up to 1111 1111 = +30dB
	8	ADCVU	0	ADC Volume Update 0 = Store RADCVOL in intermediate latch (no gain change) 1 = Update left and right channel gains (left = intermediate latch, right = RADCVOL)

Table 10 ADC Digital Volume Control

ADC DIGITAL FILTERS

The ADC filters perform true 24-bit signal processing to convert the raw multi-bit oversampled data from the ADC to the correct sampling frequency to be output on the digital audio interface.

HIGH PASS FILTER

A digital high pass filter is applied by default to the ADC path to remove DC offsets. This filter can be disabled using the ADCHPD register bit.

REGISTER ADDRESS	BIT	LABEL	DEFAULT	DESCRIPTION
R5 (05h) ADC and DAC Control (1)	0	ADCHPD	0	ADC High Pass Filter Disable 0 = Enable high pass filter on left and right channels 1 = Disable high pass filter on left and right channels

Table 11 ADC High Pass Filter

The high pass filter characteristics are shown in the Digital Filter Characteristics section.

AUTOMATIC LEVEL CONTROL (ALC)

The WM8960 has an automatic level control that aims to keep a constant recording volume irrespective of the input signal level. This is achieved by continuously adjusting the PGA gain so that the signal level at the ADC input remains constant. A digital peak detector monitors the ADC output and changes the PGA gain if necessary. Note that when the ALC function is enabled, the settings of registers 0 and 1 (LINVOL, IPVU, LIZC, LINMUTE, RINVOL, RIZC and RINMUTE) are ignored.

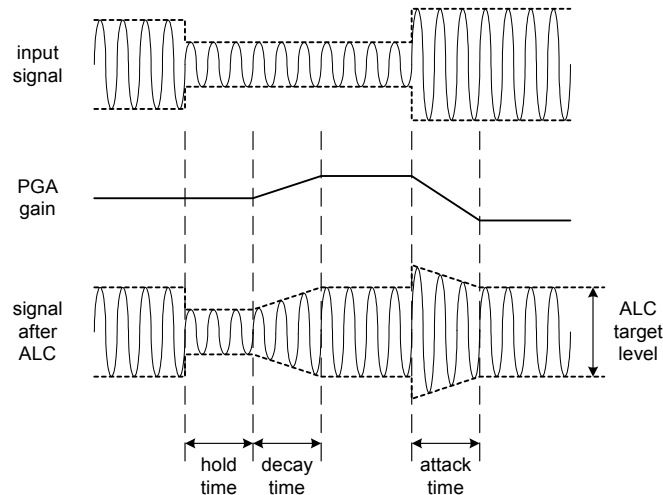


Figure 11 ALC Operation

The ALC function is enabled using the ALCSEL control bits. When enabled, the recording volume can be programmed between -1.5dB and -22.5dB (relative to ADC full scale) using the ALCL register bits. An upper limit for the PGA gain can be imposed by setting the MAXGAIN control bits.

HLD, DCY and ATK control the hold, decay and attack times, respectively:

Hold time is the time delay between the peak level detected being below target and the PGA gain beginning to ramp up. It can be programmed in power-of-two (2^n) steps, e.g. 2.67ms, 5.33ms, 10.67ms etc. up to 43.7s. Alternatively, the hold time can also be set to zero. The hold time only applies to gain ramp-up, there is no delay before ramping the gain down when the signal level is above target.

Decay (Gain Ramp-Up) Time is the time that it takes for the PGA gain to ramp up across 90% of its range (e.g. from -15B up to 27.75dB). The time it takes for the recording level to return to its target value therefore depends on both the decay time and on the gain adjustment required. If the gain adjustment is small, it will be shorter than the decay time. The decay time can be programmed in power-of-two (2^n) steps, from 24ms, 48ms, 96ms, etc. to 24.58s.

Attack (Gain Ramp-Down) Time is the time that it takes for the PGA gain to ramp down across 90% of its range (e.g. from 27.75dB down to -15B gain). The time it takes for the recording level to return to its target value therefore depends on both the attack time and on the gain adjustment required. If the gain adjustment is small, it will be shorter than the attack time. The attack time can be programmed in power-of-two (2^n) steps, from 6ms, 12ms, 24ms, etc. to 6.14s.

When operating in stereo, the peak detector takes the maximum of left and right channel peak values, and any new gain setting is applied to both left and right PGAs, so that the stereo image is preserved. However, the ALC function can also be enabled on one channel only. In this case, only one PGA is controlled by the ALC mechanism, while the other channel runs independently with its PGA gain set through the control register.

When one ADC channel is unused, the peak detector disregards that channel.

REGISTER ADDRESS	BIT	LABEL	DEFAULT	DESCRIPTION
R17 (11h) ALC Control (1)	8:7	ALCSEL [1:0]	00 (OFF)	ALC Function Select 00 = ALC off (PGA gain set by register) 01 = Right channel only 10 = Left channel only 11 = Stereo (PGA registers unused) Note: ensure that LINVOL and RINVOL settings (reg. 0 and 1) are the same before entering this mode.
	6:4	MAXGAIN [2:0]	111 (+30dB)	Set Maximum Gain of PGA 111 : +30dB 110 : +24dB ...(-6dB steps) 001 : -6dB 000 : -12dB
	3:0	ALCL [3:0]	1011 (-12dB)	ALC Target (Sets signal level at ADC input) 0000 = -22.5dB FS 0001 = -21.0dB FS ... (1.5dB steps) 1101 = -3.0dB FS 1110 = -1.5dB FS 1111 = -1.5dB FS
R18 (12h) ALC Control (2)	6:4	MINGAIN [2:0]	000	Set Minimum Gain of PGA 000 = -17.25dB 001 = -11.25dB 010 = -5.25dB 011 = +0.75dB 100 = +6.75dB 101 = +12.75dB 110 = +18.75dB 111 = +24.75dB
	3:0	HLD [3:0]	0000 (0ms)	ALC hold time before gain is increased. 0000 = 0ms 0001 = 2.67ms 0010 = 5.33ms ... (time doubles with every step) 1111 = 43.691s
R19 (13h) ALC Control (3)	8	ALCMODE	0	Determines the ALC mode of operation: 0 = ALC mode 1 = Limiter mode
	7:4	DCY [3:0]	0011 (192ms)	ALC decay (gain ramp-up) time 0000 = 24ms 0001 = 48ms 0010 = 96ms ... (time doubles with every step) 1010 or higher = 24.58s
	3:0	ATK [3:0]	0010 (24ms)	ALC attack (gain ramp-down) time 0000 = 6ms 0001 = 12ms 0010 = 24ms ... (time doubles with every step) 1010 or higher = 6.14s

REGISTER ADDRESS	BIT	LABEL	DEFAULT	DESCRIPTION
R27 (1Bh) Additional Control (3)	2:0	ADC_ALC_SR [2:0]	000	ALC Sample Rate 000 = 44.1k / 48k 001 = 32k 010 = 22.05k / 24k 011 = 16k 100 = 11.25k / 12k 101 = 8k 110 and 111 = Reserved

Table 12 ALC Control

ALC SAMPLE RATE CONTROL

The register bits ADC_ALC_SR must be set correctly to ensure that the ALC attack, decay and hold times are correct for the chosen sample rate as shown in Table 12.

PEAK LIMITER

To prevent clipping when a large signal occurs just after a period of quiet, the ALC circuit includes a limiter function. If the ADC input signal exceeds 87.5% of full scale (−1.16dB), the PGA gain is ramped down at the maximum attack rate (as when ATK = 0000), until the signal level falls below 87.5% of full scale. This function is automatically enabled whenever the ALC is enabled.

Note:

If ATK = 0000, then the limiter makes no difference to the operation of the ALC. It is designed to prevent clipping when long attack times are used.

NOISE GATE

When the signal is very quiet and consists mainly of noise, the ALC function may cause “noise pumping”, i.e. loud hissing noise during silence periods. The WM8960 has a noise gate function that prevents noise pumping by comparing the signal level at the input pins against a noise gate threshold, NGTH. The noise gate cuts in when:

- Signal level at ADC [dB] < NGTH [dB] + PGA gain [dB] + Mic Boost gain [dB]

This is equivalent to:

- Signal level at input pin [dB] < NGTH [dB]

The PGA gain will then be held constant (preventing it from ramping up as it normally would when the signal is quiet).

The table below summarises the noise gate control register. The NGTH control bits set the noise gate threshold with respect to the ADC full-scale range. The threshold is adjusted in 1.5dB steps. Levels at the extremes of the range may cause inappropriate operation, so care should be taken with set-up of the function. Note that the noise gate only works in conjunction with the ALC function, and always operates on the same channel(s) as the ALC (left, right, both, or none).

REGISTER ADDRESS	BIT	LABEL	DEFAULT	DESCRIPTION
R20 (14h) Noise Gate Control	7:3	NGTH [4:0]	00000	Noise gate threshold 00000 -76.5dBfs 00001 -75dBfs ... 1.5 dB steps 11110 -31.5dBfs 11111 -30dBfs
	0	NGAT	0	Noise gate function enable 0 = disable 1 = enable

Table 13 Noise Gate Control

OUTPUT SIGNAL PATH

The hi-fi DACs and DAC digital filters are enabled by register bits DACL and DACR. The mixers and output drivers can be separately enabled by individual control bits (see Analogue Outputs). Thus it is possible to utilise the analogue mixing and amplification provided by the WM8960, irrespective of whether the DACs are enabled or not.

The WM8960 DACs receive digital input data on the DACDAT pin. The digital filter block processes the data to provide the following functions:

- Digital volume control with soft mute and soft un-mute
- Mono mix
- 3D stereo enhancement
- De-emphasis
- Sigma-delta modulation

High performance sigma-delta 24-bit audio DAC converts the digital data into an analogue signal.

The analogue outputs from the DACs can then be mixed with the analogue line inputs and the ADC analogue inputs. This mix is fed to the output drivers for headphone or speaker output. OUT3 can provide a mono mix of left and right mixers or a pseudo-ground for capless headphone drive.

DIGITAL PLAYBACK (DAC) PATH

Digital data is passed to the WM8960 via the flexible audio interface to the hi-fi DACs. The DACs are enabled by the DACL and DACR register bits.

REGISTER ADDRESS	BIT	LABEL	DEFAULT	DESCRIPTION
R26 (1Ah) Power Management (2)	8	DACL	0	Left Channel DAC Enable 0 = DAC disabled 1 = DAC enabled
	7	DACR	0	Right Channel DAC Enable 0 = DAC disabled 1 = DAC enabled

Table 14 DAC Enable Control

DIGITAL DAC VOLUME CONTROL

The signal volume from each DAC can be controlled digitally, in the same way as the ADC volume (see Digital ADC Volume Control). The gain and attenuation range is -127dB to 0dB in 0.5dB steps. The level of attenuation for an eight-bit code X is given by:

$$0.5 \times (X-255) \text{ dB for } 1 \leq X \leq 255; \quad \text{MUTE for } X = 0$$

The DACVU control bit controls the loading of digital volume control data. When DACVU is set to 0, the LDACVOL or RDACVOL control data is loaded into an intermediate register, but the actual gain does not change. Both left and right gain settings are updated simultaneously when DACVU is set to 1.

See "Volume Updates" for more information on volume update bits.

REGISTER ADDRESS	BIT	LABEL	DEFAULT	DESCRIPTION
R10 (0Ah) Left Channel Digital Volume	8	DACVU	0	DAC Volume Update 0 = Store LDACVOL in intermediate latch (no gain change) 1 = Update left and right channel gains (left = LDACVOL, right = intermediate latch)
	7:0	LDACVOL [7:0]	11111111 (0dB)	Left DAC Digital Volume Control 0000 0000 = Digital Mute 0000 0001 = -127dB 0000 0010 = -126.5dB ... 0.5dB steps up to 1111 1111 = 0dB
R11 (0Bh) Right Channel Digital Volume	8	DACVU	0	DAC Volume Update 0 = Store RDACVOL in intermediate latch (no gain change) 1 = Update left and right channel gains (left = intermediate latch, right = RDACVOL)
	7:0	RDACVOL [7:0]	11111111 (0dB)	Right DAC Digital Volume Control similar to LDACVOL

Table 15 Digital Volume Control

DAC SOFT MUTE AND SOFT UN-MUTE

The WM8960 also has a soft mute function, which, when enabled, gradually attenuates the volume of the digital signal to zero. When soft mute is disabled, the gain will either gradually ramp back up to the digital gain setting, or return instantly to the digital gain setting, depending on the DACSMM register bit.

The DAC is soft-muted by default. To play back an audio signal, this function must first be disabled by setting the DACMU bit to zero.

DACSMM would typically be enabled when using soft mute during playback of audio data so that when soft mute is then disabled, the sudden volume increase will not create pop noise by jumping immediately to the previous volume level (e.g. resuming playback after pausing during a track).

DACSMM would typically be disabled when un-muting at the start of a digital music file, so that the first part of the track is not attenuated (e.g. when starting playback of a new track, or resuming playback after pausing between tracks).

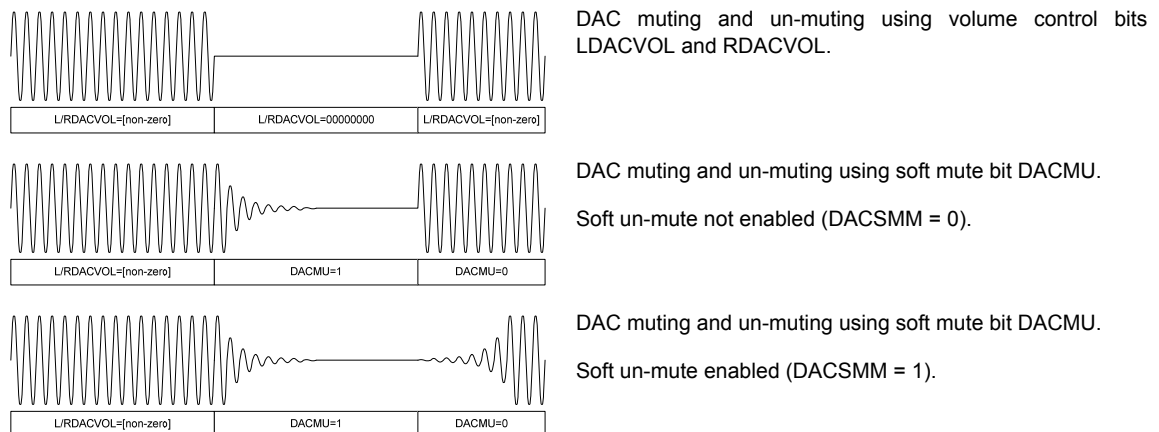


Figure 12 DAC Mute Control

The volume ramp rate during soft mute and un-mute is controlled by the DACMR bit. Ramp rates of fs/32 and fs/2 are selectable as shown in Table 16 (fs = DAC sample rate).

REGISTER ADDRESS	BIT	LABEL	DEFAULT	DESCRIPTION
R5 (05h) ADC and DAC Control (1)	3	DACMU	1	Digital Soft Mute 1 = Mute 0 = No mute (signal active)
R6 (06h) ADC and DAC Control (2)	3	DACSMM	0	DAC Soft Mute Mode 0 = Disabling soft-mute (DACMU=0) will cause the volume to change immediately to the LDACVOL / RDACVOL settings 1 = Disabling soft-mute (DACMU=0) will cause the volume to ramp up gradually to the LDACVOL / RDACVOL settings
	2	DACMR	0	DAC Soft Mute Ramp Rate 0 = Fast ramp (fs/2 at fs=48k, providing maximum delay of 10.7ms) 1 = Slow ramp (fs/32 at fs=48k, providing maximum delay of 171ms)

Table 16 DAC Soft-Mute Control

DAC DE-EMPHASIS

Digital de-emphasis can be applied to the DAC playback data (e.g. when the data comes from a CD with pre-emphasis used in the recording). De-emphasis filtering is available for sample rates of 48kHz, 44.1kHz and 32kHz.

REGISTER ADDRESS	BIT	LABEL	DEFAULT	DESCRIPTION
R5 (05h) ADC and DAC Control (1)	2:1	DEEMPH [1:0]	00	De-Emphasis Control 11 = 48kHz sample rate 10 = 44.1kHz sample rate 01 = 32kHz sample rate 00 = No de-emphasis

Table 17 DAC De-Emphasis Control

DAC OUTPUT PHASE AND MONO MIXING

The digital audio data is converted to oversampled bit streams in the on-chip, true 24-bit digital interpolation filters. The bitstream data enters two multi-bit, sigma-delta DACs, which convert them to high quality analogue audio signals. The multi-bit DAC architecture reduces high frequency noise and sensitivity to clock jitter. It also uses a Dynamic Element Matching technique for high linearity and low distortion.

In normal operation, the left and right channel digital audio data is converted to analogue in two separate DACs. There is a mono-mix mode where the two audio channels are mixed together digitally and then converted to analogue using only one DAC, while the other DAC is switched off. The mono-mix signal can be selected to appear on both analogue output channels. The mono mix is automatically attenuated by 6dB to prevent clipping.

The DAC output defaults to non-inverted. Setting DACPOL[0] bit will invert the left DAC output phase and setting DACPOL[1] bit will invert the right DAC output phase.

REGISTER ADDRESS	BIT	LABEL	DEFAULT	DESCRIPTION
R6 (06h) ADC and DAC Control (2)	6:5	DACPOL[1:0]	00	DAC Polarity Control: 00 = Polarity not inverted 01 = DAC L inverted 10 = DAC R inverted 11 = DAC L and R inverted
R23 (17h) Additional Control (1)	4	DMONOMIX	0	DAC Mono Mix 0 = Stereo 1 = Mono (Mono MIX output on enabled DACs)

Table 18 DAC Mono Mix and Phase Invert Select

3D STEREO ENHANCEMENT

The WM8960 has a digital 3D enhancement option to artificially increase the separation between the left and right channels. This effect can only be used for playback, not for record.

The 3D enhancement function is activated by the 3DEN bit, and the 3DDEPTH setting controls the degree of stereo expansion. Additionally, one of four filter characteristics can be selected for the 3D processing, using the 3DUC and 3DLC control bits.

REGISTER ADDRESS	BIT	LABEL	DEFAULT	DESCRIPTION
R16 (10h) 3D enhance	6	3DUC	0	Upper Cut-Off Frequency 0 = High (Recommended for fs>=32kHz) 1 = Low (Recommended for fs<32kHz)
	5	3DLC	0	Lower Cut-Off Frequency 0 = Low (Recommended for fs>=32kHz) 1 = High (Recommended for fs<32kHz)
	4:1	3DDEPTH [3:0]	0000	3D Stereo Depth 0000 = 0% (minimum 3D effect) 0001 = 6.67% 1110 = 93.3% 1111 = 100% (maximum 3D effect)
	0	3DEN	0	3D Stereo Enhancement Enable 0 = Disabled 1 = Enabled

Table 19 3D Stereo Enhancement Function

When 3D enhancement is enabled it may be necessary to attenuate the signal by 6dB to avoid limiting. This is a user-selectable function, enabled by setting DACDIV2.

REGISTER ADDRESS	BIT	LABEL	DEFAULT	DESCRIPTION
R5 (05h) ADC and DAC control (1)	7	DACDIV2	0	DAC 6dB attenuate enable 0 = disabled (0dB) 1 = -6dB enabled

Table 20 DAC 6dB Attenuation Select

OUTPUT MIXERS

Left and right analogue mixers allow the DAC output and analogue bypass paths to be mixed. Programmable attenuation and mute is available on the analogue bypass paths from LINPUT3, RINPUT3 and from the input boost mixers as shown in Figure 13. A mono mix of left and right output mixers is also available on OUT3.

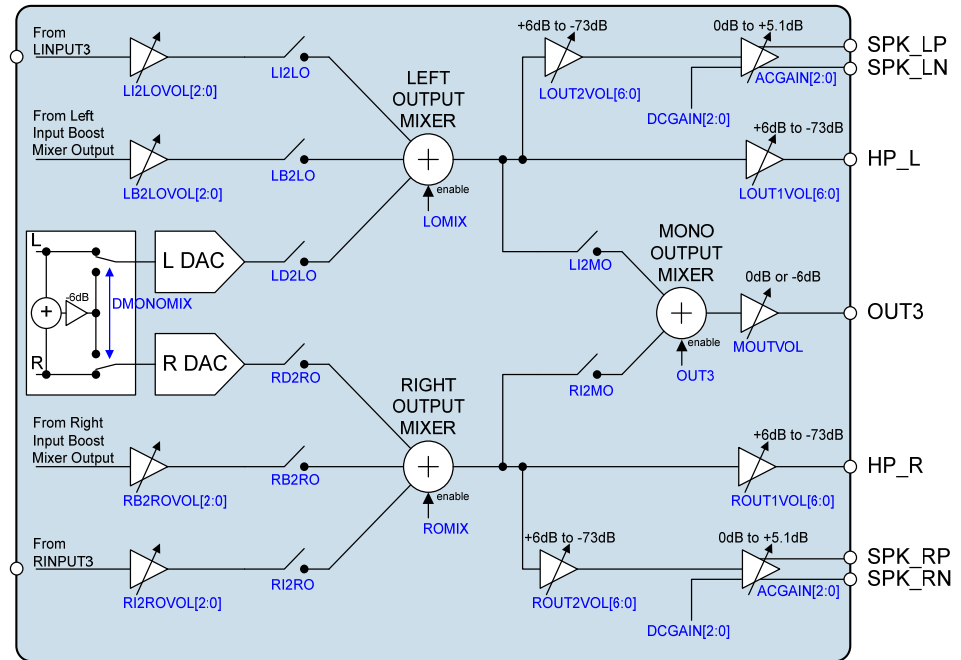


Figure 13 Output Mixer Path

Left and right mixers are enabled by the LOMIX and ROMIX register bits. The mono mixer is enabled by OUT3 register bit, which also enables the OUT3 driver.

REGISTER ADDRESS	BIT	LABEL	DEFAULT	DESCRIPTION
R47 (2Fh) Power Management (3)	3	LOMIX	0	Left Output Mixer Enable Control 0 = Disabled 1 = Enabled
	4	ROMIX	0	Right Output Mixer Enable Control 0 = Disabled 1 = Enabled
R26 (1Ah) Power Management (2)	1	OUT3	0	Mono Output and Mono Mixer Enable Control 0 = Mono mixer and output disabled 1 = Mono mixer and output enabled

Table 21 Output Mixer Enable Control

Inputs to the mixers from the DAC and bypass paths can be individually muted. The bypass paths have programmable attenuation as shown in Table 22. To prevent pop noise, it is recommended not to change volume levels of these paths during playback.

REGISTER ADDRESS	BIT	LABEL	DEFAULT	DESCRIPTION
R34 (22h) Left Output Mixer Control	8	LD2LO	0	Left DAC to Left Output Mixer 0 = Disable (Mute) 1 = Enable Path
	7	LI2LO	0	LINPUT3 to Left Output Mixer 0 = Disable (Mute) 1 = Enable Path
	6:4	LI2LOVOL [2:0]	101 (-15dB)	LINPUT3 to Left Output Mixer Volume 000 = 0dB ...(3dB steps) 111 = -21dB
R45 (2Dh) Bypass (1)	7	LB2LO	0	Left Input Boost Mixer to Left Output Mixer 0 = Disable (Mute) 1 = Enable Path
	6:4	LB2LOVOL [2:0]	101 (-15dB)	Left Input Boost Mixer to Left Output Mixer Volume 000 = 0dB ...(3dB steps) 111 = -21dB
R37 (25h) Right Output Mixer Control	8	RD2RO	0	Right DAC to Right Output Mixer 0 = Disable (Mute) 1 = Enable Path
	7	RI2RO	0	RINPUT3 to Right Output Mixer 0 = Disable (Mute) 1 = Enable Path
	6:4	RI2ROVOL [2:0]	101 (-15dB)	RINPUT3 to Right Output Mixer Volume 000 = 0dB ...(3dB steps) 111 = -21dB
R46 (2Eh) Bypass (2)	7	RB2RO	0	Right Input Boost Mixer to Right Output Mixer 0 = Disable (Mute) 1 = Enable Path
	6:4	RB2ROVOL [2:0]	101 (-15dB)	Right Input Boost Mixer to Right Output Mixer Volume 000 = 0dB ...(3dB steps) 111 = -21dB

Table 22 Left and Right Output Mixer Mute and Volume Control

The mono output mixer can output, left, right, left+right or a buffered VMID. 0dB or 6dB attenuation is selectable using MOUTVOL register bit. It is recommended to attenuate a mono mix of left and right channels by 6dB in order to prevent clipping. This attenuation control (MOUTVOL) should not be modified while OUT3 is enabled as this may cause an audible click noise.

REGISTER ADDRESS	BIT	LABEL	DEFAULT	DESCRIPTION
R38 (26h) Mono Out Mix (1)	7	L2MO	0	Left Output Mixer to Mono Output Mixer Control 0 = Left channel mix disabled 1 = Left channel mix enabled
R39 (27h) Mono Out Mix (2)	7	R2MO	0	Right Output Mixer to Mono Output Mixer Control 0 = Right channel mix disabled 1 = Right channel mix enabled
R42 (2Ah) Mono Out Volume	6	MOUTVOL	1	Mono Output Mixer Volume Control 0 = 0dB 1 = -6dB

Table 23 Output Mixer Enable Control

When left and right inputs to the mono mixer are both disabled, the mono mixer will output VMID.

ANALOGUE OUTPUTS

HP_L AND HP_R OUTPUTS

The HP_L and HP_R pins can drive a 16Ω or 32Ω headphone or a line output (see Headphone Output and Line Output sections, respectively). The signal volume on HP_L and HP_R can be independently adjusted under software control by writing to LOUT1VOL and ROUT1VOL, respectively. Note that gains over 0dB may cause clipping if the signal is large. Any gain setting below 0101111 (minimum) mutes the output driver. The corresponding output pin remains at the same DC level (the reference voltage on the VREF pin), so that no click noise is produced when muting or un-muting.

A zero cross detect on the analogue output may also be enabled when changing the gain setting to minimize audible clicks and zipper noise as the gain updates. If zero cross is enabled a timeout is also available to update the gain if a zero cross does not occur. This function may be enabled by setting TOEN in register R23 (17h). The timeout period is set by TOCLKSEL. Note: SYSCLK must be enabled to use this function.

REGISTER ADDRESS	BIT	LABEL	DEFAULT	DESCRIPTION
R2 (02h) LOUT1 Volume	8	OUT1VU	0	Headphone Volume Update 0 = Store LOUT1VOL in intermediate latch (no gain change) 1 = Update left and right channel gains (left = LOUT1VOL, right = intermediate latch)
	7	LO1ZC	0	Left zero cross enable 0 = Change gain immediately 1 = Change gain on zero cross only
	6:0	LOUT1VOL [6:0]	0000000 (MUTE)	LOUT1 Volume 1111111 = +6dB ... 1dB steps down to 0110000 = -73dB 0101111 to 0000000 = Analogue MUTE
R3 (03h) ROUT1 Volume	8	OUT1VU	0	Headphone Volume Update 0 = Store ROUT1VOL in intermediate latch (no gain change) 1 = Update left and right channel gains (left = intermediate latch, right = ROUT1VOL)
	7	RO1ZC	0	Right zero cross enable 0 = Change gain immediately 1 = Change gain on zero cross only
	6:0	ROUT1VOL [6:0]	0000000 (MUTE)	ROUT1 Volume Similar to LOUT1VOL

Table 24 LOUT1/ROUT1 Volume Control

See "Volume Updates" for more information on volume update bits, zero cross and timeout operation.

CLASS D SPEAKER OUTPUTS

The SPK_LP/SPK_LN and SPK_RP/SPK_RN output pins are class D speaker drivers. Each pair is independently controlled and can drive an 8Ω BTL speaker (see Speaker Output section). Output mixer volume is relative to AVDD, while an additional boost stage is available to accommodate higher SPKVDD1/SPKVDD2 supply voltages. This allows AVDD to be run at a lower voltage to save power, while maximum output power can be delivered to the load, utilising the full range of SPKVDD1/SPKVDD2. Note that the BTL speaker connection provides an additional +6dB gain at the output.

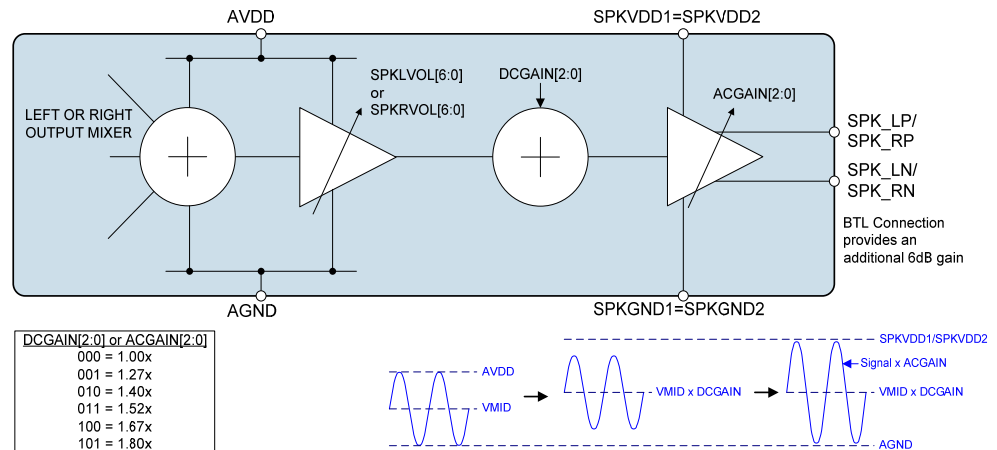


Figure 14 Speaker Boost Operation

REGISTER ADDRESS	BIT	LABEL	DEFAULT	DESCRIPTION
R40 (28h) Left Speaker Volume	6:0	SPKLVOL [6:0]	0000000 (MUTE)	SPK_LP/SPK_LN Volume 1111111 = +6dB ... 1dB steps down to 0110000 = -73dB 0101111 to 0000000 = Analogue MUTE
	7	SPKLZC	0	Left Speaker Zero Cross Enable 1 = Change gain on zero cross only 0 = Change gain immediately
	8	SPKVU	0	Speaker Volume Update 0 = Store SPKLVOL in intermediate latch (no gain change) 1 = Update left and right channel gains (left = SPKLVOL, right = intermediate latch)
R41 (29h) Right Speaker Volume	6:0	SPKRVOL [6:0]	0000000 (MUTE)	SPK_RP/SPK_RN Volume 1111111 = +6dB ... 1dB steps down to 0110000 = -73dB 0101111 to 0000000 = Analogue MUTE
	7	SPKRZC	0	Right Speaker Zero Cross Enable 1 = Change gain on zero cross only 0 = Change gain immediately
	8	SPKVU	0	Speaker Volume Update 0 = Store SPKRVOL in intermediate latch (no gain change) 1 = Update left and right channel gains (left = intermediate latch, right = SPKRVOL)
R51 (33h) Class D Control (3)	5:3	DCGAIN [2:0]	000 (1.0x)	DC Speaker Boost (Boosts speaker DC output level by up to 1.8 x on left and right channels) 000 = 1.00x boost (+0dB) 001 = 1.27x boost (+2.1dB) 010 = 1.40x boost (+2.9dB) 011 = 1.52x boost (+3.6dB) 100 = 1.67x boost (+4.5dB) 101 = 1.8x boost (+5.1dB) 110 to 111 = Reserved
	2:0	ACGAIN [2:0]	000 (1.0x)	AC Speaker Boost (Boosts speaker AC output signal by up to 1.8 x on left and right channels) 000 = 1.00x boost (+0dB) 001 = 1.27x boost (+2.1dB) 010 = 1.40x boost (+2.9dB) 011 = 1.52x boost (+3.6dB) 100 = 1.67x boost (+4.5dB) 101 = 1.8x boost (+5.1dB) 110 to 111 = Reserved

Table 25 SPK_L/SPK_R Volume and Speaker Boost Control

To prevent pop noise, DCGAIN and ACGAIN should not be modified while the speaker outputs are enabled.

To avoid clipping at speaker ground, ACGAIN should not be greater than DCGAIN.

To avoid clipping at speaker supply, SPKVDD1 and SPKVDD2 must be high enough to support the peak output voltage when using DCGAIN and ACGAIN functions. The peak output voltage is $AVDD \cdot (DCGAIN + ACGAIN) / 2$.

DCGAIN should normally be set to the same value as ACGAIN.

See "Volume Updates" for more information on volume update bits, zero cross and timeout operation.

See "Class D Speaker Outputs" for more information on class D speaker operation.

OUT3 OUTPUT

The OUT3 pin can drive a 16Ω or 32Ω headphone or a line output or be used as a pseudo-ground for capless headphone drive (see Headphone Output section). It can also drive out a mono mix of left and right output mixers (See Output Signal Path).

ENABLING THE OUTPUTS

Each analogue output of the WM8960 can be independently enabled or disabled. The analogue mixer associated with each output is powered on or off along with the output pin. All outputs are disabled by default. To save power, unused outputs should remain disabled.

REGISTER ADDRESS	BIT	LABEL	DEFAULT	DESCRIPTION
R26 (1Ah) Power Management (2)	6	LOUT1	0	LOUT1 Output Enable
	5	ROUT1	0	ROUT1 Output Enable
	4	SPKL	0	SPK_LP and SPK_LN Volume Control Enable
	3	SPKR	0	SPK_RP and SPK_RN Volume Control Enable
	1	OUT3	0	OUT3 Enable
R49 (31h) Class D Control (1)	7:6	SPK_OP_EN [1:0]	00	Enable Class D Speaker Outputs 00 = Off 01 = Left speaker only 10 = Right speaker only 11 = Left and right speakers enabled
Note: All "Enable" bits are 1 = ON, 0 = OFF				

Table 26 Analogue Output Control

The speaker output enable bits SPK_OP_EN[1:0] should not be enabled until there is a valid switching clock to drive the class D outputs. This means that SYSCLK must be active, and DCLKDIV set to an appropriate value to produce a class D clock of between 700kHz and 800kHz for best performance (See "Class D Speaker Outputs" and "Clocking and Sample Rates" sections for more information).

Whenever an analogue output is disabled, it remains connected to VREF through a resistor. This helps to prevent pop noise when the output is re-enabled. The resistance between VREF and each output can be controlled using the VROI bit in register 27. If a high impedance is desired for disabled outputs, VROI can then be set to 1, increasing the resistance to about 20kΩ.

REGISTER ADDRESS	BIT	LABEL	DEFAULT	DESCRIPTION
R27 (1Bh) Additional (1)	6	VROI	0	VREF to Analogue Output Resistance (Disabled Outputs) 0 = 500Ω VMID to output 1 = 20kΩ VMID to output

Table 27 Disabled Outputs to VREF Resistance

HEADPHONE OUTPUT

Analogue outputs HP_L/HP_R, and OUT3, can drive a 16Ω or 32Ω headphone load, either through DC blocking capacitors, or DC coupled without any capacitor.

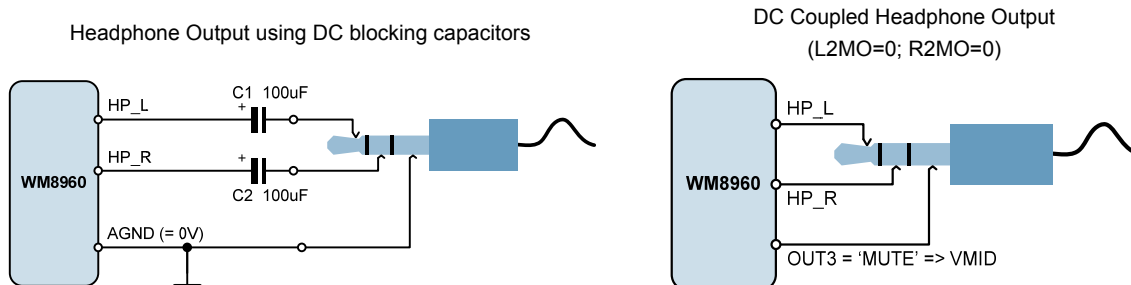


Figure 15 Recommended Headphone Output Configurations

When DC blocking capacitors are used, then their capacitance and the load resistance together determine the lower cut-off frequency, f_c . Increasing the capacitance lowers f_c , improving the bass response. Smaller capacitance values will diminish the bass response. Assuming a 32Ω load and $C_1, C_2 = 100\mu\text{F}$:

$$f_c = 1 / 2\pi R_L C_1 = 1 / (2\pi \times 32\Omega \times 100\mu\text{F}) = 50 \text{ Hz}$$

In the DC coupled configuration, the headphone "ground" is connected to the OUT3 pin, which must be enabled by setting $\text{OUT3} = 1$ and muted by setting $\text{L2MO}=0$ and $\text{R2MO}=0$. As the OUT3 pin produces a DC voltage of $\text{AVDD}/2$ ($=\text{VREF}$), there is no DC offset between $\text{HP_L}/\text{HP_R}$ and OUT3, and therefore no DC blocking capacitors are required. This saves space and material cost in portable applications.

It is recommended to connect the DC coupled headphone outputs only to headphones, and not to the line input of another device. Although the built-in short circuit protection will prevent any damage to the headphone outputs, such a connection may be noisy, and may not function properly if the other device is grounded.

CLASS D SPEAKER OUTPUTS

The class D speaker outputs $\text{SPK_LN}/\text{SPK_LP}$ and $\text{SPK_RN}/\text{SPK_RP}$ can drive 1W into 8Ω BTL speakers. Class D outputs reduce power consumption and maximise efficiency by reducing power dissipated in the output drivers, delivering most of the power directly to the load. This is achieved by pulse width modulation (PWM) of a high frequency square wave, allowing the audio signal level to be set by controlling the pulse width. The frequency of the output waveform is controlled by DCLKDIV , and is derived from SYSCLK .

When the speakers are close to the device (typically less than about 100mm), the internal filtering effects of the speaker can be used. Where signals are routed over longer distances, it is recommended to use additional passive filtering, positioned close to the WM8960, to reduce EMI. See "Applications Information" for more information on EMI reduction.

REGISTER ADDRESS	BIT	LABEL	DEFAULT	DESCRIPTION
R8 (08h) Clocking (2)	8:6	DCLKDIV	111	Controls clock division from SYSCLK to generate suitable class D clock. 000 = $\text{SYSCLK} / 1.5$ 001 = $\text{SYSCLK} / 2$ 010 = $\text{SYSCLK} / 3$ 011 = $\text{SYSCLK} / 4$ 100 = $\text{SYSCLK} / 6$ 101 = $\text{SYSCLK} / 8$ 110 = $\text{SYSCLK} / 12$ 111 = $\text{SYSCLK} / 16$
R49 (31h) Class D Control (1)	7:6	SPK_OP_EN [1:0]	00	Enable Class D Speaker Outputs 00 = Off 01 = Left speaker only 10 = Right speaker only 11 = Left and right speakers enabled

Table 28 Class D Control Registers

The class D outputs require a PWM switching clock, which is derived from SYSCLK . This clock should not be altered or disabled while the class D outputs are enabled.

See "Clocking and Sample Rates" for more information.

VOLUME UPDATES

Volume settings will not be applied to input or output PGAs until a '1' is written to one of the update bits (IPVU, OUT1VU, SPKVU bits). This is to allow left and right channels to be updated at the same time, as shown in Figure 16.

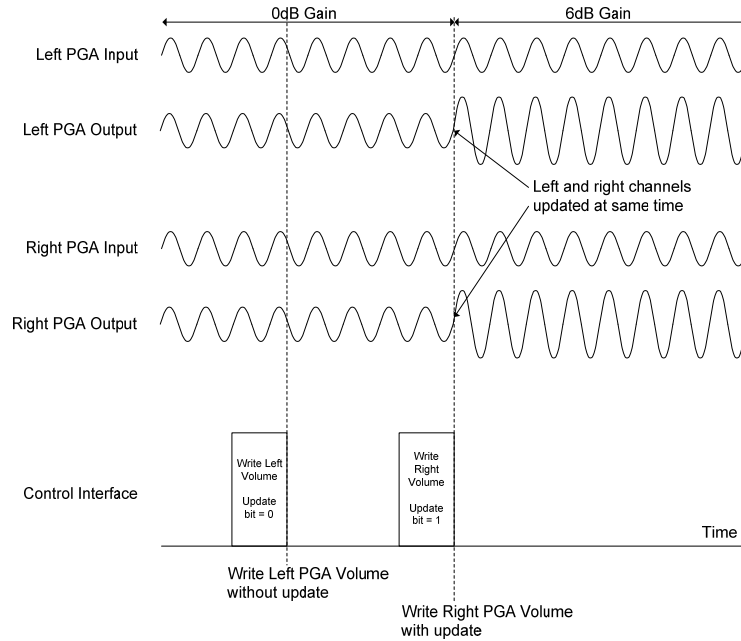


Figure 16 Simultaneous Left and Right Volume Updates

If the volume is adjusted while the signal is a non-zero value, an audible click can occur as shown in Figure 17.

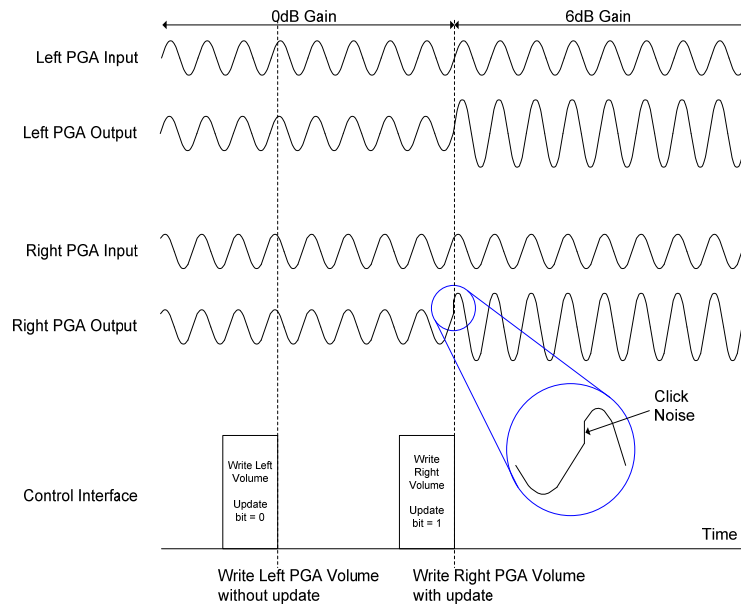


Figure 17 Click Noise during Volume Update

In order to prevent this click noise, a zero cross function is provided. When enabled, this will cause the PGA volume to update only when a zero crossing occurs, minimising click noise as shown in Figure 18.

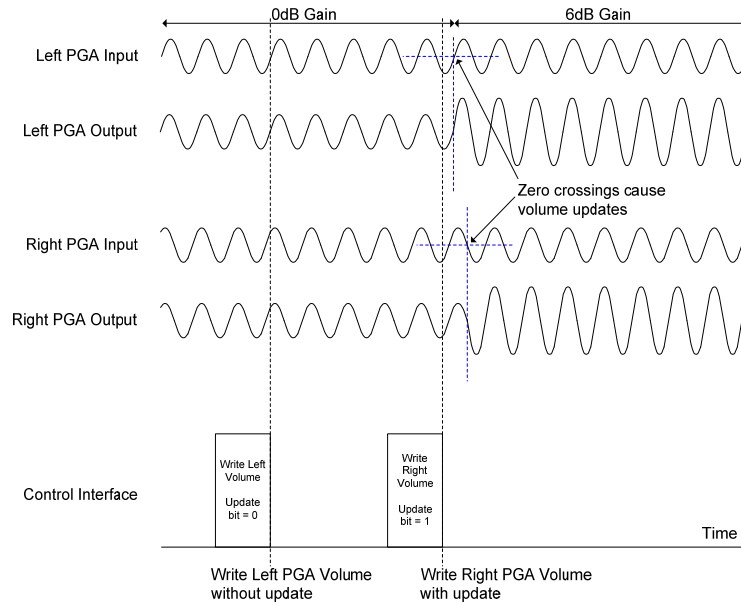


Figure 18 Volume Update using Zero Cross Detection

If there is a long period where no zero-crossing occurs, a timeout circuit in the WM8960 will automatically update the volume. The volume updates will occur between one and two timeout periods, depending on when the volume update bit is set as shown in Figure 19. The TOEN register bit must be set to enable this timeout function. The timeout period is set by TOCLKSEL.

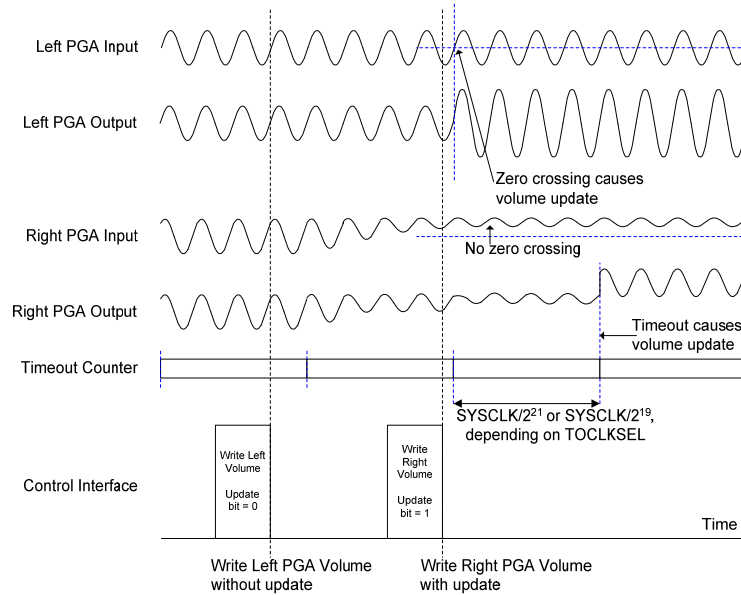


Figure 19 Volume Update after Timeout

HEADPHONE JACK DETECT

The ADCLRC/GPIO1, LINPUT3/JD2 and RINPUT3/JD3 pins can be selected as headphone jack detect inputs to automatically disable the speaker output and enable the headphone output e.g. when a headphone is plugged into a jack socket. In this mode, enabled by setting HPSWEN, the headphone detect input pin switches between headphone and speaker outputs (e.g. when the pin is connected to a mechanical switch in the headphone socket to detect plug-in). The HPSEL[1:0] bits select the input pin used for this function. The HPSWPOL bit reverses the pin's polarity. Note that the LOUT1, ROUT1, SPKL and SPKR bits in register 26 must also be set for headphone and speaker output (see Table 29 and Table 30).

TOEN must also be set to enable the clock which is used for de-bouncing the jack detect input. TOCLKSEL selects a fast or slow de-bounce period. Note that SYSCLK must be enabled to use this function.

When using capless mode, the OUT3CAP bit should be enabled so that OUT3 is enabled/disabled at the same time as HP_L and HP_R to prevent pop noise.

The debounced headphone detect signal can also be output to the ADCLRC/GPIO1 pin (See GPIO section). This function is not available when using GPIO1 as an input or as ADCLRC.

When using the ADCLRC/GPIO1 pin as a headphone detect input, the ALRCGPIO register bit needs to be set to 1. In this mode, DACLRC is used for both ADC and DAC frame clocks. (See GPIO section for more information)

Note:

When LINPUT3 or RINPUT3 is used as the headphone detect input, the thresholds become CMOS levels (0.3 AVDD / 0.7 AVDD).

HPSWEN	HPSWPOL	HEADPHONE DETECT PIN (LINPUT3/JD2, RINPUT3/JD3 OR ADCLRC/GPIO1)	L/ROUT1 (AND OUT3 IN CAPLESS MODE) (REG. 26)	SPKL/R (REG. 26)	HEADPHONE ENABLED (AND OUT3 IN CAPLESS MODE)	SPEAKER ENABLED
0	X	X	0	0	no	no
0	X	X	0	1	no	yes
0	X	X	1	0	yes	no
0	X	X	1	1	yes	yes
1	0	0	X	0	no	no
1	0	0	X	1	no	yes
1	0	1	0	X	no	no
1	0	1	1	X	yes	no
1	1	0	0	X	no	no
1	1	0	1	X	yes	no
1	1	1	X	0	no	no
1	1	1	X	1	no	yes

Table 29 Headphone Jack Detect Operation

REGISTER ADDRESS	BIT	LABEL	DEFAULT	DESCRIPTION
R24 (18h) Additional Control (2)	6	HPSWEN	0	Headphone Switch Enable 0 = Headphone switch disabled 1 = Headphone switch enabled
	5	HPSWPOL	0	Headphone Switch Polarity 0 = HPDETECT high = headphone 1 = HPDETECT high = speaker

REGISTER ADDRESS	BIT	LABEL	DEFAULT	DESCRIPTION
R27 (1Bh) Additional Control (3)	3	OUT3CAP	0	Capless Mode Headphone Switch Enable 0 = OUT3 unaffected by jack detect events 1 = OUT3 enabled and disabled together with HP_L and HP_R in response to jack detect events
R48 (30h) Additional Control (4)	3:2	HPSEL[1:0]	00	Headphone Switch Input Select 0X = GPIO1 used for jack detect input (Requires ADCLRC pin to be configured as a GPIO) 10 = JD2 used for jack detect input 11 = JD3 used for jack detect input
R23 (17h) Additional Control (1)	0	TOEN	0	Slow Clock Enable (Must be enabled for jack detect de-bounce) 0 = Slow Clock Disabled 1 = Slow Clock Enabled
	1	TOCLKSEL	0	Slow Clock Selection (Used for volume update timeouts and for jack detect debounce) 0 = SYSCLK / 2 ²¹ (Slower Response) 1 = SYSCLK / 2 ¹⁹ (Faster Response)

Table 30 Headphone Jack Detect

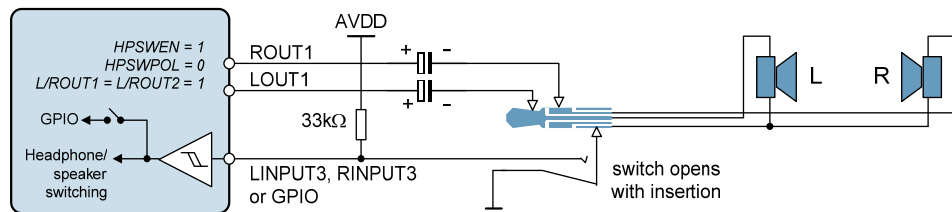


Figure 20 Example Headset Detection Circuit Using Normally-Open Switch

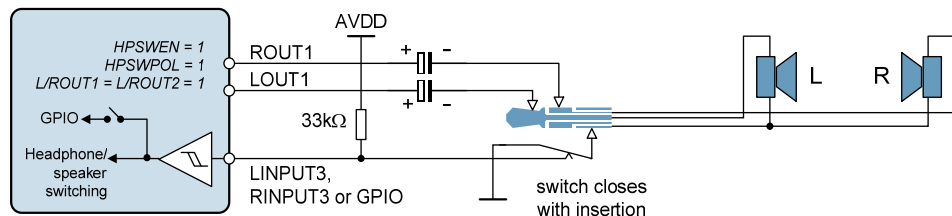


Figure 21 Example Headset Detection Circuit Using Normally-Closed Switch

THERMAL SHUTDOWN

The speaker and headphone outputs can drive very large currents. To protect the WM8960 from overheating a thermal shutdown circuit is included and is enabled by default. If the device temperature reaches approximately 150°C and the thermal shutdown circuit is enabled (TSDEN = 1; TSENSEN = 1) the speaker and headphone amplifiers (HP_L, HP_R, SPK_LP, SPK_LN, SPK_RP, SPK_RN and OUT3) will be disabled. This feature can be disabled to save power when the device is in standby mode.

TSENSEN must be set to 1 to enable the temperature sensor when using the TSDEN thermal shutdown function. The output of the temperature sensor can also be output to the GPIO1 pin.

REGISTER ADDRESS	BIT	LABEL	DEFAULT	DESCRIPTION
R23 (17h) Additional Control (1)	8	TSDEN	1	Thermal Shutdown Enable 0 = Thermal shutdown disabled 1 = Thermal shutdown enabled (TSENSEN must be enabled for this function to work)
R48 (30h) Additional Control (4)	1	TSENSEN	1	Temperature Sensor Enable 0 = Temperature sensor disabled 1 = Temperature sensor enabled

Table 31 Thermal Shutdown

GENERAL PURPOSE INPUT/OUTPUT

The WM8960 has three dual purpose input/output pins.

- LINPUT3/JD2: Analogue input or headphone detect input.
- RINPUT3/JD3: Analogue input or headphone detect input.
- ADCLRC/GPIO1: ADC left/right frame clock or GPIO pin.

The ADCLRC/GPIO1 pin can be configured as a left/right frame clock for the ADC, a headphone detect input, or one of a number of GPIO output functions as shown in Table 32.

The default configuration for the LINPUT3 and RINPUT2 pins is to be analogue inputs. The default configuration for the ADCLRC/GPIO1 pin is to be the ADC left/right frame clock.

REGISTER ADDRESS	BIT	LABEL	DEFAULT	DESCRIPTION
R9 (09h) Audio Interface (2)	6	ALRCGPIO	0	ADCLRC/GPIO1 Pin Function Select 0 = ADCLRC frame clock for ADC 1 = GPIO pin
R48 (30h) Additional Control (4)	6:4	GPIOSEL [2:0]	000	ADCLRC/GPIO1 GPIO Function Select: 000 = Jack detect input 001 = Reserved 010 = Temperature ok 011 = Debounced jack detect output 100 = SYSCLK output 101 = PLL lock 110 = Logic 0 111 = Logic 1
	7	GPIOPOL	0	GPIO Polarity Invert 0 = Non inverted 1 = Inverted
R52 (34h) Clocking (2)	8:6	OPCLKDIV [2:0]	000	SYSCLK Output to GPIO Clock Division ratio 000 = SYSCLK 001 = SYSCLK / 2 010 = SYSCLK / 3 011 = SYSCLK / 4 100 = SYSCLK / 5.5 101 = SYSCLK / 6

Table 32 GPIO Control

Slow clock must be enabled (TOEN = 1) when using the jack detect function. This slow clock is used to debounce the jack detect input. The debounce period can be selected using TOCLKSEL.

The temperature sensor must be enabled for the "Temperature ok" GPIO output to function properly.

For further details of the Jack detect operation see the Headphone Switch section.

DIGITAL AUDIO INTERFACE

The digital audio interface is used for inputting DAC data into the WM8960 and outputting ADC data from it. It uses five pins:

- ADCDAT: ADC data output
- ADCLRC: ADC data alignment clock
- DACDAT: DAC data input
- DACLRC: DAC data alignment clock
- BCLK: Bit clock, for synchronisation

The clock signals BCLK, ADCLRC and DACLRC can be outputs when the WM8960 operates as a master, or inputs when it is a slave (see Master and Slave Mode Operation, below).

ADCLRC can also be configured as a GPIO pin. In this case, the ADC will use DACLRC as a frame clock. The ADCLRC/GPIO1 pin function should not be modified while the ADC is enabled.

Four different audio data formats are supported:

- Left justified
- Right justified
- I²S
- DSP mode

All four of these modes are MSB first. They are described in Audio Data Formats, below. Refer to the Electrical Characteristic section for timing information.

MASTER AND SLAVE MODE OPERATION

The WM8960 can be configured as either a master or slave mode device. As a master device the WM8960 generates BCLK, ADCLRC and DACLRC and thus controls sequencing of the data transfer on ADCDAT and DACDAT. In slave mode, the WM8960 responds with data to clocks it receives over the digital audio interface. The mode can be selected by writing to the MS bit. Master and slave modes are illustrated below.

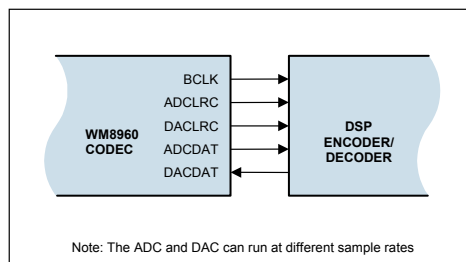


Figure 22 Master Mode

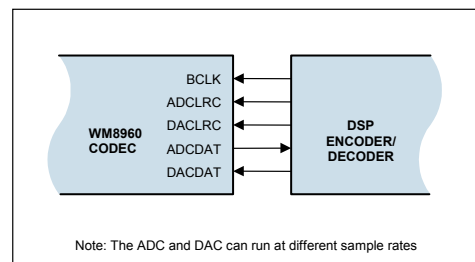


Figure 23 Slave Mode

OPERATION WITH ADCLRC AS GPIO

When ALRCGPIO=1, the DACLRC pin is used as a frame clock for ADCs and DACs as shown below. The ADCs and DACs must operate at the same sample rate in this mode. See Table 32 for details of GPIO pin configuration.

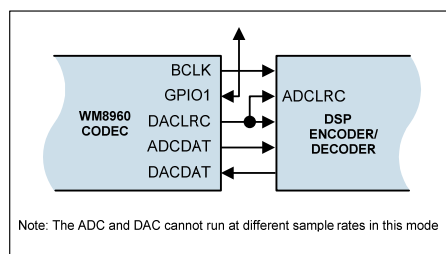


Figure 24 Master Mode with ADCLRC as GPIO

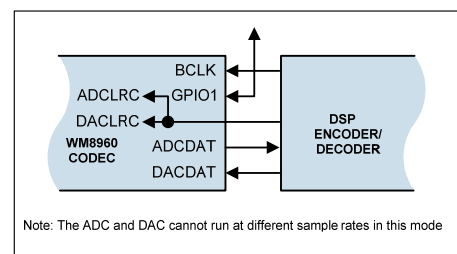


Figure 25 Slave Mode with ADCLRC as GPIO

BCLK DIVIDE

The BCLK frequency in master mode is controlled by BCLKDIV[3:0]. When the ADCs and DACs are operating at different sample rates, BCLKDIV must be set appropriately to support the data rate of whichever is the faster.

Internal clock divide and phase control mechanisms ensure that the BCLK, ADCLRC and DACLRC edges will occur in a predictable and repeatable position relative to each other and to the data for a given combination of DAC sample rate, ADC sample rate and BCLKDIV settings.

See Clocking and Sample Rates section for more information.

AUDIO DATA FORMATS

In Left Justified mode, the MSB is available on the first rising edge of BCLK following a LRCLK transition. The other bits up to the LSB are then transmitted in order. Depending on word length, BCLK frequency and sample rate, there may be unused BCLK cycles before each LRCLK transition.

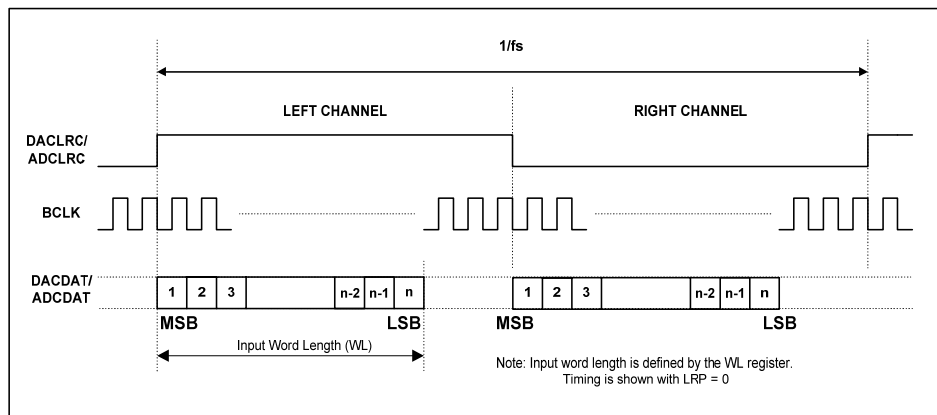


Figure 26 Left Justified Audio Interface (assuming n-bit word length)

In Right Justified mode, the LSB is available on the last rising edge of BCLK before a LRCLK transition. All other bits are transmitted before (MSB first). Depending on word length, BCLK frequency and sample rate, there may be unused BCLK cycles after each LRCLK transition.

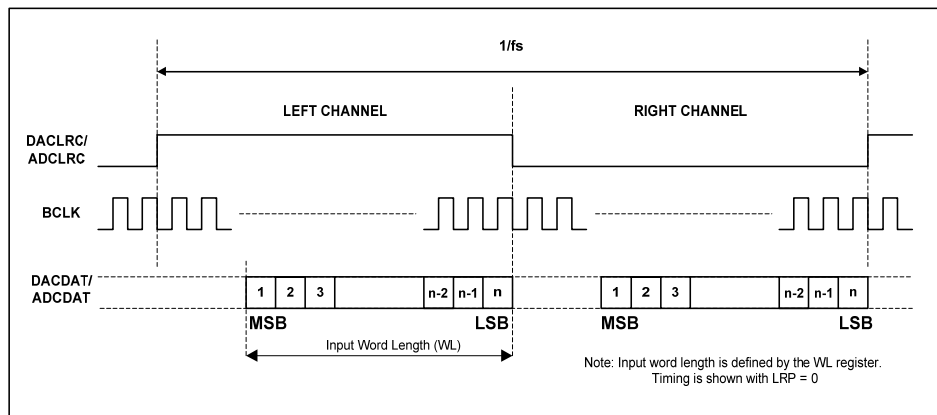


Figure 27 Right Justified Audio Interface (assuming n-bit word length)

In I²S mode, the MSB is available on the second rising edge of BCLK following a LRCLK transition. The other bits up to the LSB are then transmitted in order. Depending on word length, BCLK frequency and sample rate, there may be unused BCLK cycles between the LSB of one sample and the MSB of the next.

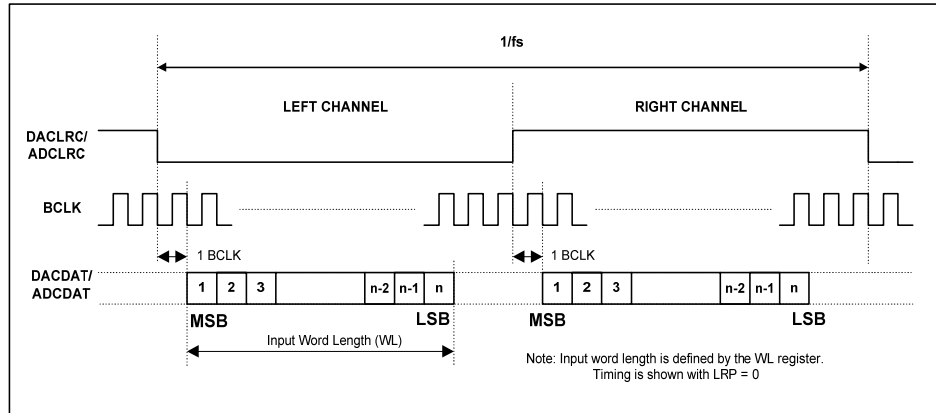


Figure 28 I²S Justified Audio Interface (assuming n-bit word length)

In DSP/PCM mode, the left channel MSB is available on either the 1st (mode B) or 2nd (mode A) rising edge of BCLK (selectable by LRP) following a rising edge of LRC. Right channel data immediately follows left channel data. Depending on word length, BCLK frequency and sample rate, there may be unused BCLK cycles between the LSB of the right channel data and the next sample.

In device master mode, the LRC output will resemble the frame pulse shown in Figure 29 and Figure 30. In device slave mode, Figure 31 and Figure 32, it is possible to use any length of frame pulse less than 1/fs, providing the falling edge of the frame pulse occurs greater than one BCLK period before the rising edge of the next frame pulse.

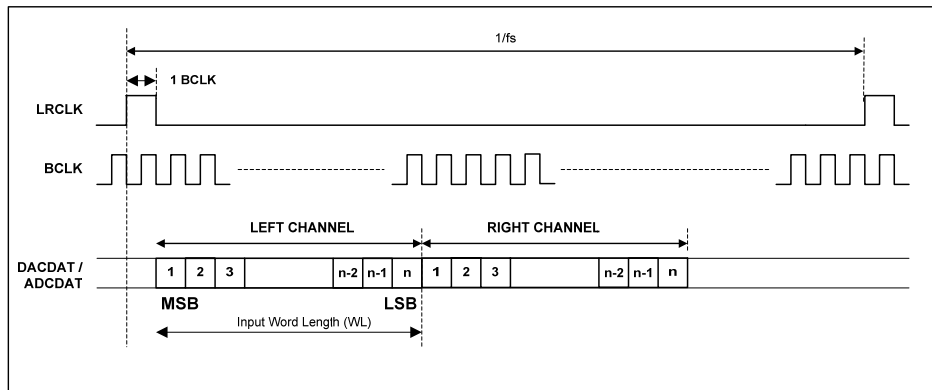


Figure 29 DSP/PCM Mode Audio Interface (mode A, LRP=0, Master)

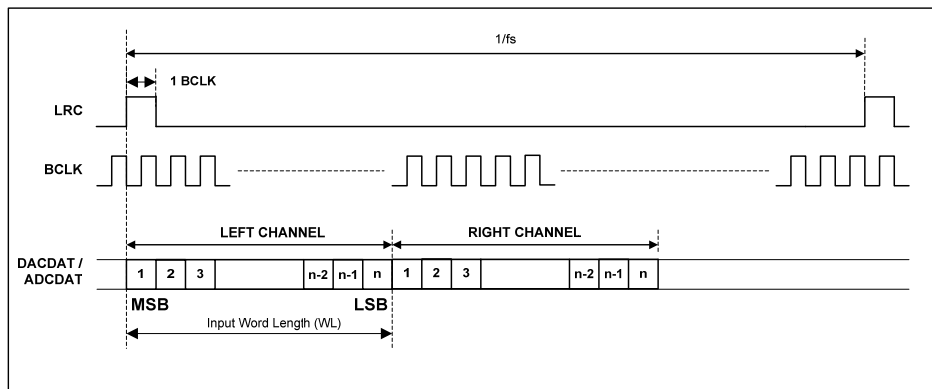


Figure 30 DSP/PCM Mode Audio Interface (mode B, LRP=1, Master)

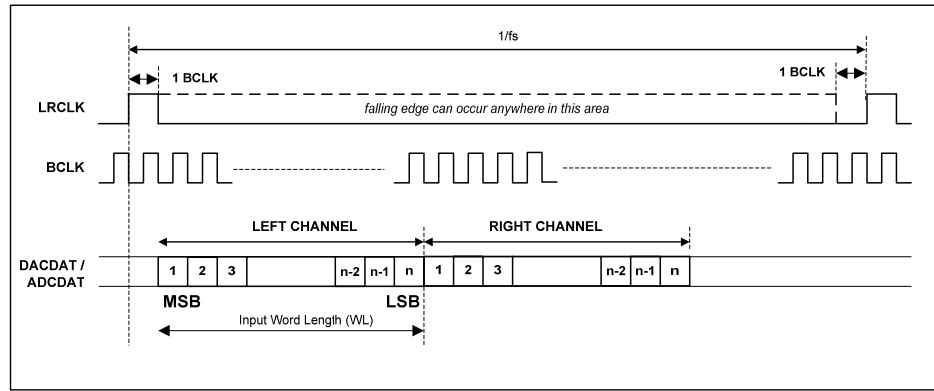


Figure 31 DSP/PCM Mode Audio Interface (mode A, LRP=0, Slave)

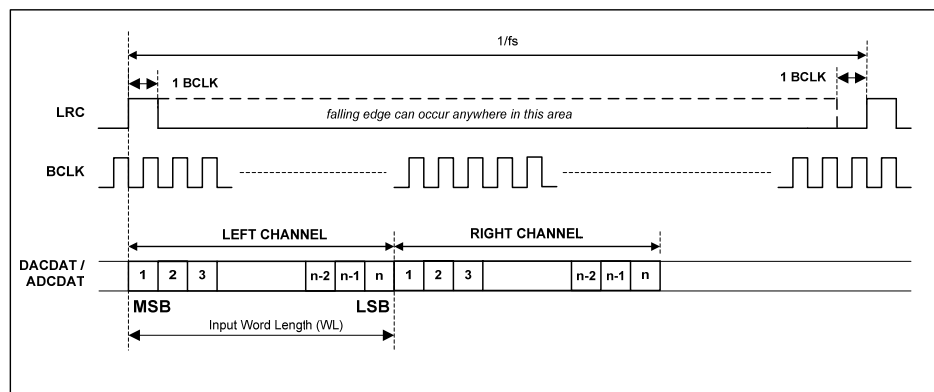


Figure 32 DSP/PCM Mode Audio Interface (mode B, LRP=1, Slave)

AUDIO INTERFACE CONTROL

The register bits controlling audio format, word length and master / slave mode are summarised in Table 33. MS selects audio interface operation in master or slave mode. In Master mode BCLK, ADCLRC and DACLRC are outputs. The frequency of ADCLRC and DACLRC is set by the bits ADCDIV and DACDIV and the frequency of BCLK is set by the bits BCLKDIV (See "Clocking and Sample Rates"). In Slave mode BCLK, ADCLRC and DACLRC are inputs.

REGISTER ADDRESS	BIT	LABEL	DEFAULT	DESCRIPTION
R7 (07h) Digital Audio Interface Format	8	ALRSWAP	0	Left/Right ADC channel swap 1 = Swap left and right ADC data in audio interface 0 = Output left and right data as normal
	7	BCLKINV	0	BCLK invert bit (for master and slave modes) 0 = BCLK not inverted 1 = BCLK inverted
	6	MS	0	Master / Slave Mode Control 0 = Enable slave mode 1 = Enable master mode
	5	DLRSWAP	0	Left/Right DAC Channel Swap 0 = Output left and right data as normal 1 = Swap left and right DAC data in audio interface
	4	LRP	0	Right, left and I ² S modes – LRCLK polarity 0 = normal LRCLK polarity 1 = invert LRCLK polarity
				DSP Mode – mode A/B select 0 = MSB is available on 2nd BCLK rising edge after LRC rising edge (mode A) 1 = MSB is available on 1st BCLK rising edge after LRC rising edge (mode B)
	3:2	WL[1:0]	10	Audio Data Word Length 00 = 16 bits 01 = 20 bits 10 = 24 bits 11 = 32 bits (see Note)
1:0	FORMAT[1:0]	10	Audio Data Format Select 00 = Right justified 01 = Left justified 10 = I ² S Format 11 = DSP Mode	

Table 33 Audio Data Format Control

Note: Right Justified mode does not support 32-bit data.

AUDIO INTERFACE OUTPUT TRISTATE

Register bit TRIS, register 24(18h) bit[3] can be used to tristate the ADCDAT pin and switch ADCLRC, DACLRC and BCLK to inputs. In Slave mode (MS=0) ADCLRC, DACLRC and BCLK are by default configured as inputs and only ADCDAT will be tri-stated, (see Table 34).

When the ADCLRC/GPIO1 pin is configured as a GPIO, this pin will not be tristated by the TRIS register bit.

REGISTER ADDRESS	BIT	LABEL	DEFAULT	DESCRIPTION
R24 (18h) Additional Control (2)	3	TRIS	0	Tristates ADCDAT and switches ADCLRC, DACLRC and BCLK to inputs. 0 = ADCDAT is an output; ADCLRC, DACLRC and BCLK are inputs (slave mode) or outputs (master mode) 1 = ADCDAT is tristated; DACLRC and BCLK are inputs; ADCLRC is an input (when not configured as a GPIO)

Table 34 Tri-stating the Audio Interface

MASTER MODE ADCLRC AND DACLRC ENABLE

In master mode, by default ADCLRC clock generator is disabled and will output a logic 0 when the ADCs are both disabled and DACLRC clock generator is disabled and will output a logic 0 when the DACs are both disabled.

Register bit LRCM, register 24 (18h) bit[2] changes the control so that the ADCLRC and DACLRC clock generators are both disabled only when both ADCs and both DACs are disabled. This enables the user to use e.g. ADCLRC for both ADC and DAC LRCLK and disable the ADC when DAC only operation is required, (see Table 35).

When ADCLRC is configured as a GPIO (using ALRCGPIO), DACLRC is used for the ADCs and the DACs and will only be disabled in master mode when both ADCs and both DACs are disabled.

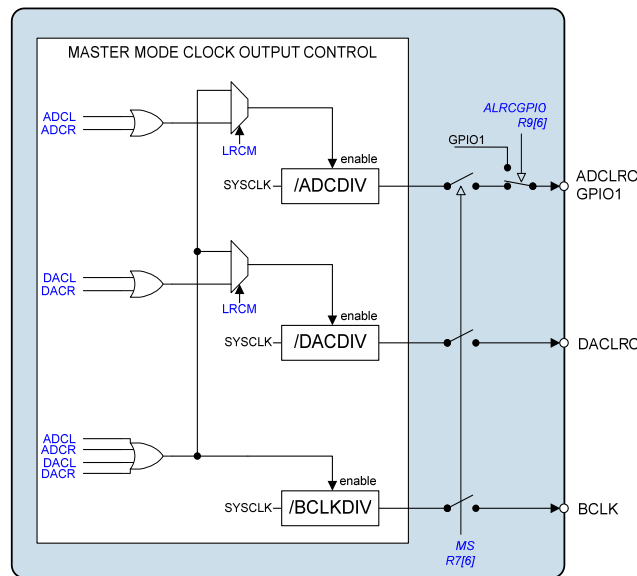


Figure 33 Master Mode Clock Output Control

REGISTER ADDRESS	BIT	LABEL	DEFAULT	DESCRIPTION
R24 (18h) Additional Control (2)	2	LRCM	0	Selects disable mode for ADCLRC and DACLRC (Master mode) 0 = ADCLRC disabled when ADC (Left and Right) disabled; DACLRC disabled when DAC (Left and Right) disabled. 1 = ADCLRC and DACLRC disabled only when ADC (Left and Right) and DAC (Left and Right) are disabled.

Table 35 ADCLRC/DACLRC Enable

COMPANDING

The WM8960 supports A-law and μ -law companding on both transmit (ADC) and receive (DAC) sides. Companding can be enabled on the DAC or ADC audio interfaces by writing the appropriate value to the DACCOMP or ADCCOMP register bits respectively.

REGISTER ADDRESS	BIT	LABEL	DEFAULT	DESCRIPTION
R9 (09h) Audio Interface (2)	2:1	ADCCOMP	00	ADC companding 00 = off 01 = reserved 10 = μ -law 11 = A-law
	4:3	DACCOMP	00	DAC companding 00 = off 01 = reserved 10 = μ -law 11 = A-law
	5	WL8	0	0 = off 1 = device operates in 8-bit mode.

Table 36 Companding Control

Companding involves using a piecewise linear approximation of the following equations (as set out by ITU-T G.711 standard) for data compression:

μ -law (where $\mu=255$ for the U.S. and Japan):

$$F(x) = \ln(1 + \mu|x|) / \ln(1 + \mu) \quad -1 \leq x \leq 1$$

A-law (where $A=87.6$ for Europe):

$$F(x) = A|x| / (1 + \ln A) \quad \} \text{ for } x \leq 1/A$$

$$F(x) = (1 + \ln A|x|) / (1 + \ln A) \quad \} \text{ for } 1/A \leq x \leq 1$$

The companded data is also inverted as recommended by the G.711 standard (all 8 bits are inverted for μ -law, all even data bits are inverted for A-law). The data will be transmitted as the first 8 MSB's of data.

Companding converts 13 bits (μ -law) or 12 bits (A-law) to 8 bits using non-linear quantization. The input data range is separated into 8 levels, allowing low amplitude signals better precision than that of high amplitude signals. This is to exploit the operation of the human auditory system, where louder sounds do not require as much resolution as quieter sounds. The companded signal is an 8-bit word containing sign (1-bit), exponent (3-bits) and mantissa (4-bits).

Setting the WL8 register bit allows the device to operate with 8-bit data. In this mode it is possible to use 8 BCLK cycles per LRC frame. When using DSP mode B, this allows 8-bit data words to be output consecutively every 8 BCLK cycles and can be used with 8-bit data words using the A-law and μ -law companding functions.

BIT7	BIT[6:4]	BIT[3:0]
SIGN	EXPONENT	MANTISSA

Table 37 8-bit Companded Word Composition

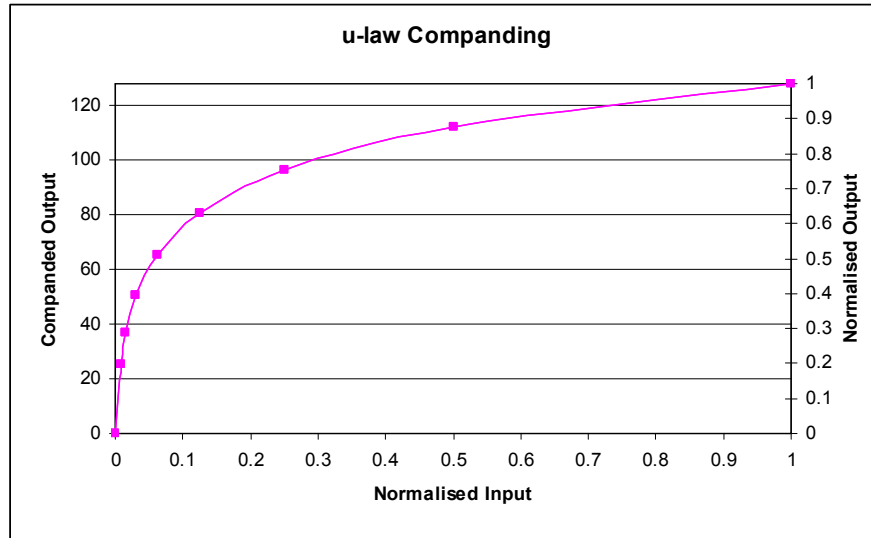


Figure 34 μ -Law Companding

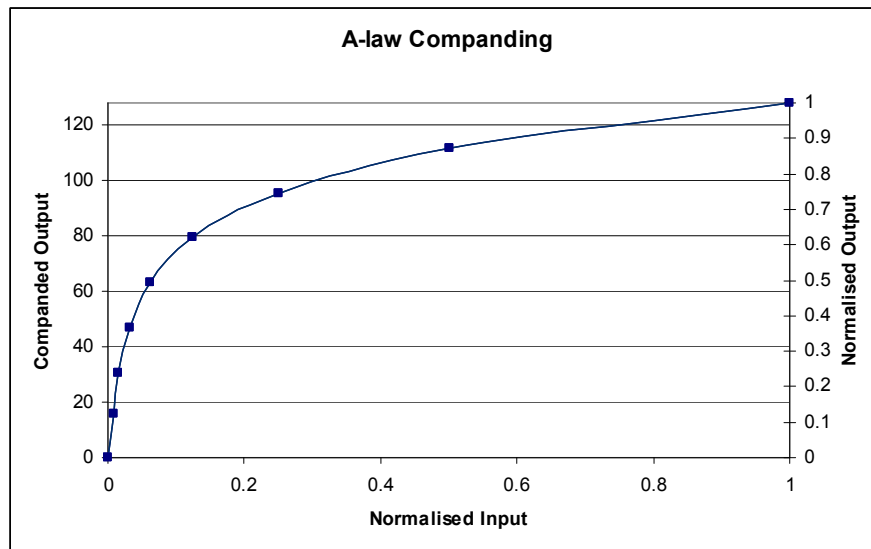


Figure 35 A-Law Companding

LOOPBACK

Setting the LOOPBACK register bit enables digital loopback. When this bit is set the output data from the ADC audio interface is fed directly into the DAC data input.

The ADCs and DACs must both use DACLRC when loopback is enabled. This is enabled by setting register bit ALRCGPIO = 1.

REGISTER ADDRESS	BIT	LABEL	DEFAULT	DESCRIPTION
R9 Audio Interface	0	LOOPBACK	0	Digital Loopback Function 0 = No loopback. 1 = Loopback enabled, ADC data output is fed directly into DAC data input.

Table 38 Loopback Control

CLOCKING AND SAMPLE RATES

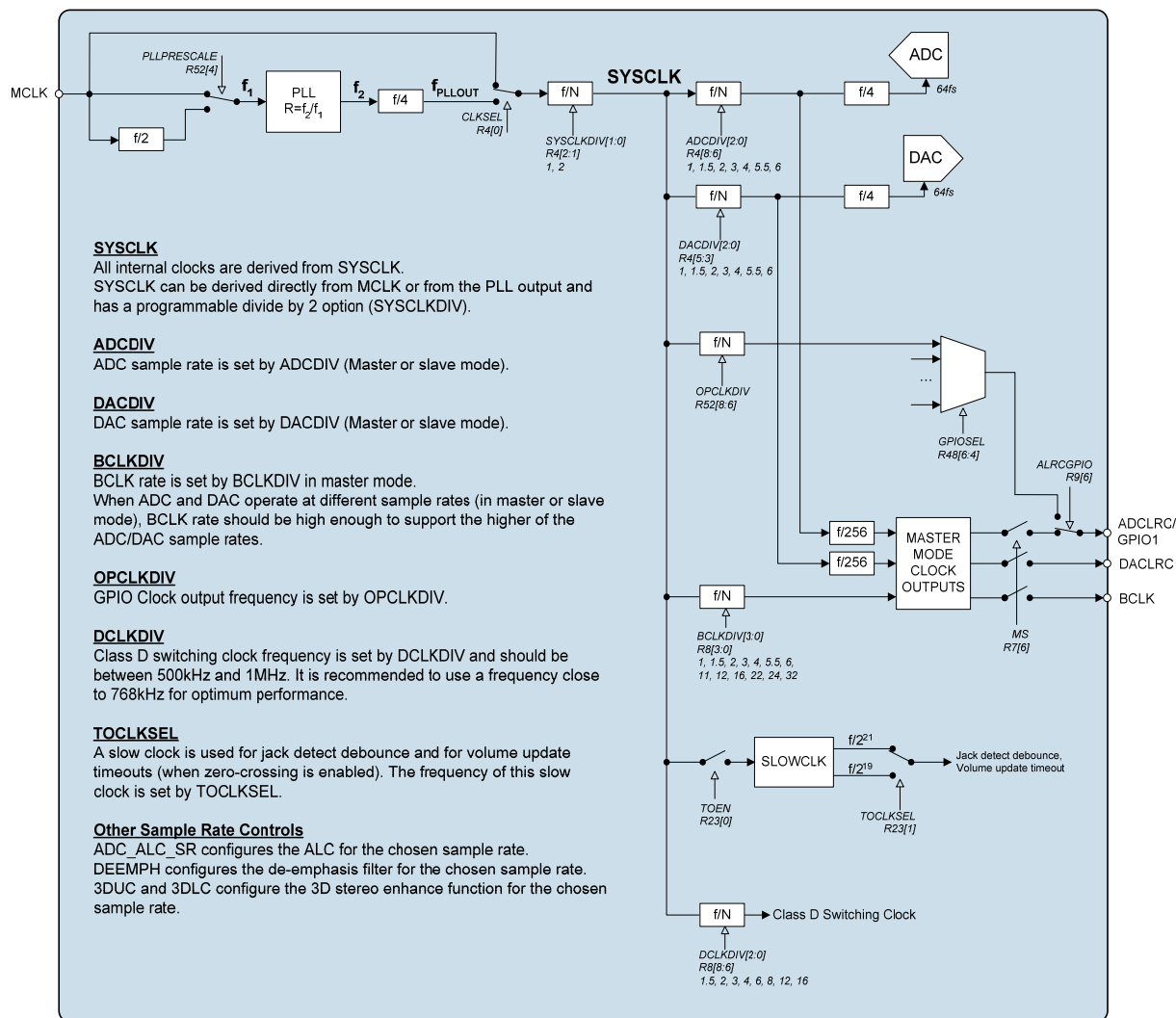


Figure 36 Clocking Scheme

Clocks for the ADCs and DACs, the DSP core functions, the digital audio interface and the class D outputs are all derived from SYSCLK as show in Figure 36.

SYSClk can either be derived directly from MCLK, or generated from a PLL using MCLK as a reference. The clock source is selected by CLKSEL. Many commonly-used audio sample rates can be derived directly from MCLK, while the PLL provides additional flexibility.

The ADC and DAC sample rates are independently selectable, relative to SYSClk, using ADCDIV and DACDIV. In master mode, BCLK is also derived from SYSClk via a programmable clock divide (BCLKDIV).

When the ADCLRC/GPIO1 pin is configured as a GPIO, a clock derived from SYSClk can be output on this pin to provide clocking for other parts of the system. The frequency of this output clock is set by OPCLKDIV.

A slow clock derived from SYSClk is used to de-bounce the headphone detect function, and to set the timeout period for volume updates when zero-cross functions are used. This clock is enabled by TOEN and its frequency is set by TOCLKSEL.

The class D outputs require a clock, and this is also derived from SYSClk via a programmable divider (DCLKDIV) as shown in Figure 36. The class D switching clock should be set between 700kHz and 800kHz.

The class D switching clock should not be disabled when the speaker outputs are active, as this would prevent the speaker outputs from functioning. The class D switching clock frequency should not be altered while the speaker outputs are active as this may generate an audible click.

Table 39 shows the clocking and sample rate controls for MCLK input, BITCLK output (in master mode), ADCs, DACs, class D outputs and GPIO clock output. Refer to Table 40 for example clocking configurations.

REGISTER ADDRESS	BIT	LABEL	DEFAULT	DESCRIPTION
R4 (04h) Clocking (1)	8:6	ADC DIV [2:0]	000	ADC Sample rate divider (Also determines ADCLRC in master mode) 000 = SYSClk / (1.0 * 256) 001 = SYSClk / (1.5 * 256) 010 = SYSClk / (2 * 256) 011 = SYSClk / (3 * 256) 100 = SYSClk / (4 * 256) 101 = SYSClk / (5.5 * 256) 110 = SYSClk / (6 * 256) 111 = Reserved
	5:3	DAC DIV [2:0]	000	DAC Sample rate divider (Also determines DACLRC in master mode) 000 = SYSClk / (1.0 * 256) 001 = SYSClk / (1.5 * 256) 010 = SYSClk / (2 * 256) 011 = SYSClk / (3 * 256) 100 = SYSClk / (4 * 256) 101 = SYSClk / (5.5 * 256) 110 = SYSClk / (6 * 256) 111 = Reserved
	2:1	SYSClk DIV [1:0]	00	SYSClk Pre-divider. Clock source (MCLK or PLL output) will be divided by this value to generate SYSClk. 00 = Divide SYSClk by 1 01 = Reserved 10 = Divide SYSClk by 2 11 = Reserved
	0	CLKSEL	0	SYSClk selection 0 = SYSClk derived from MCLK 1 = SYSClk derived from PLL output

REGISTER ADDRESS	BIT	LABEL	DEFAULT	DESCRIPTION
R8 (08h) Clocking (2)	8:6	DCLKDIV	111	Class D switching clock divider. 000 = SYSCLK / 1.5 001 = SYSCLK / 2 010 = SYSCLK / 3 011 = SYSCLK / 4 100 = SYSCLK / 6 101 = SYSCLK / 8 110 = SYSCLK / 12 111 = SYSCLK / 16
	3:0	BCLKDIV[3:0]	0000	BCLK Frequency (Master Mode) 0000 = SYSCLK 0001 = SYSCLK / 1.5 0010 = SYSCLK / 2 0011 = SYSCLK / 3 0100 = SYSCLK / 4 0101 = SYSCLK / 5.5 0110 = SYSCLK / 6 0111 = SYSCLK / 8 1000 = SYSCLK / 11 1001 = SYSCLK / 12 1010 = SYSCLK / 16 1011 = SYSCLK / 22 1100 = SYSCLK / 24 1101 to 1111 = SYSCLK / 32

Table 39 ADC, DAC and BCLK Control

SYSCLK (=MCLK OR PLL OUTPUT) (MHz)	ADCDIV OR DACDIV	ADC / DAC SAMPLE RATE (kHz)
12.288	000 (=1)	48
	001 (=1.5)	32
	010 (=2)	24
	011 (=3)	16
	100 (=4)	12
	101 (=5.5)	(Not used)
	110 (=6)	8
	111	Reserved
11.2896	000 (=1)	44.1
	001 (=1.5)	(Not used)
	010 (=2)	22.05
	011 (=3)	(Not used)
	100 (=4)	11.025
	101 (=5.5)	8.018
	110 (=6)	(Not used)
	111	Reserved
2.048	000 (=1)	8
	001 (=1.5)	(Not used)
	010 (=2)	(Not used)
	011 (=3)	(Not used)
	100 (=4)	(Not used)
	101 (=5.5)	(Not used)
	110 (=6)	(Not used)
	111	Reserved

Table 40 ADC and DAC Sample Rates

Although the ADC and DAC can run at different sample rates, they share the same bit clock pin BCLK.

When operating in master mode, register bits BCLKDIV[3:0] should be set to an appropriate value to ensure that there are sufficient BCLK cycles to transfer the complete data word from the ADCs and to the DACs.

When operating in slave mode, the host device must provide sufficient BCLK cycles to transfer complete data words to the ADCs and DACs.

Table 41 shows the maximum word lengths supported for a given SYSCLK and BCLKDIV, assuming that either the ADCs or DACs are running at maximum rate (i.e. ADCDIV[2:0]=000 or DACDIV[2:0]=000).

SYSCLK (=MCLK OR PLL OUTPUT) (MHz)	BCLKDIV[3:0]	BCLK RATE (MASTER MODE) (MHz)	MAXIMUM WORD LENGTH (AT MAXIMUM ADC OR DAC SAMPLE RATE)
12.288	0000 (=1)	12.288	32
	0001 (=1.5)	8.192	32
	0010 (=2)	6.144	32
	0011 (=3)	4.096	32
	0100 (=4)	3.072	32
	0101 (=5.5)	2.2341818	20
	0110 (=6)	2.048	20
	0111 (=8)	1.536	16
	1000 (=11)	1.117091	8
	1001 (=12)	1.024	8
	1010 (=16)	0.768	8
	1011 (=22)	0.558545	N/A
	1100 (=24)	0.512	N/A
	1101 (=32)	0.384	N/A
	1110 (=32)	0.384	N/A
1111 (=32)	0.384	N/A	
11.2896	0000 (=1)	11.2896	32
	0001 (=1.5)	7.5264	32
	0010 (=2)	5.6448	32
	0011 (=3)	3.7632	32
	0100 (=4)	2.8224	32
	0101 (=5.5)	2.052655	20
	0110 (=6)	1.8816	20
	0111 (=8)	1.4112	16
	1000 (=11)	1.026327	8
	1001 (=12)	0.9408	8
	1010 (=16)	0.7056	8
	1011 (=22)	0.513164	N/A
	1100 (=24)	0.4704	N/A
	1101 (=32)	0.3528	N/A
	1110 (=32)	0.3528	N/A
1111 (=32)	0.3528	N/A	

Table 41 BCLK Divider in Master Mode

OTHER SAMPLE RATE CONTROL BITS

The ALC, de-emphasis filter and 3D stereo enhance functions all need to be configured for the chosen sample rate when in use, as show in Table 42.

ADC_ALC_SR should be configured to match the chosen ADC sample rate.

DEEMPH, 3DUC and 3DLC should be configured to match the chosen DAC sample rate.

REGISTER ADDRESS	BIT	LABEL	DEFAULT	DESCRIPTION
R27 (1Bh) Additional Control (3)	2:0	ADC_ALC_SR [2:0]	000	ALC Sample Rate 000 = 44.1k / 48k 001 = 32k 010 = 22.05k / 24k 011 = 16k 100 = 11.25k / 12k 101 = 8k 110 and 111 = Reserved
R5 (05h) ADC and DAC Control (1)	2:1	DEEMPH [1:0]	00	De-Emphasis Control 11 = 48kHz sample rate 10 = 44.1kHz sample rate 01 = 32kHz sample rate 00 = No de-emphasis
R16 (10h) 3D Enhance	6	3DUC	0	Upper Cut-Off Frequency 0 = High (Recommended for fs>=32kHz) 1 = Low (Recommended for fs<32kHz)
	5	3DLC	0	Lower Cut-Off Frequency 0 = Low (Recommended for fs>=32kHz) 1 = High (Recommended for fs<32kHz)

Table 42 Additional Sample Rate Controls

PLL

The integrated PLL can be used to generate SYSCLK for the WM8960 or provide clocking for external devices via the GPIO1 pin.

The PLL is enabled by the PLEN register bit.

REGISTER ADDRESS	BIT	LABEL	DEFAULT	DESCRIPTION
R26 (1Ah) Power management (2)	0	PLEN	0	PLL Enable 0 = PLL off 1 = PLL on
R52 (34h) PLL (1)	5	SDM	0	Enable Integer Mode 0 = Integer mode 1 = Fractional mode

Table 43 PLEN Control Bit

The PLL frequency ratio $R = f_2/f_1$ (See Figure 36) can be set using the register bits PLLK and PLLN:

$$\text{PLLN} = \text{int } R$$

$$\text{PLLK} = \text{int } (2^{24} (R - \text{PLLN}))$$

EXAMPLE:

MCLK=12MHz, required clock = 12.288MHz.

R should be chosen to ensure $5 < \text{PLLN} < 13$. There is a fixed divide by 4 in the PLL and a selectable divide by N after the PLL which should be set to divide by 2 to meet this requirement.

Enabling the divide by 2 sets the required $f_2 = 4 \times 2 \times 12.288\text{MHz} = 98.304\text{MHz}$.

$$R = 98.304 / 12 = 8.192$$

$$\text{PLLN} = \text{int } R = 8$$

$$k = \text{int } (2^{24} \times (8.192 - 8)) = 3221225 = 3126\text{E}9\text{h}$$

REGISTER ADDRESS	BIT	LABEL	DEFAULT	DESCRIPTION
R52 (34h) PLL N value	4	PLLPRESCALE	0	Divide MCLK by 2 before input to PLL 0 = Divide by 1 1 = Divide by 2
	3:0	PLL N	8h	Integer (N) part of PLL input/output frequency ratio. Use values greater than 5 and less than 13.
R53 (35h) PLL K value (1)	5:0	PLLK [23:16]	31h	Fractional (K) part of PLL1 input/output frequency ratio (treat as one 24-digit binary number).
R54 (36h) PLL K Value (2)	8:0	PLLK [15:8]	26h	
R55 (37h) PLL K Value (3)	8:0	PLLK [7:0]	E9h	

Table 44 PLL Frequency Ratio Control

The PLL performs best when f_2 is between 90MHz and 100MHz. Its stability peaks at N=8. Some example settings are shown in Table 45.

MCLK (MHz) (f1)	DESIRED OUTPUT (SYSCLK) (MHz)	f2 (MHz)	PRESALE DIVIDE (PLLPRESCALE)	POSTSCALE DIVIDE (SYSCLKDIV[1:0])	FIXED POST-DIVIDE	R	N	K
12	11.2896	90.3168	1	2	4	7.5264	7h	86C226h
12	12.288	98.304	1	2	4	8.192	8h	3126E8h
13	11.2896	90.3168	1	2	4	6.947446	6h	F28BD4h
13	12.288	98.304	1	2	4	7.561846	7h	8FD525h
14.4	11.2896	90.3168	1	2	4	6.272	6h	45A1CAh
14.4	12.288	98.304	1	2	4	6.826667	6h	D3A06Eh
19.2	11.2896	90.3168	2	2	4	9.408	9h	6872AFh
19.2	12.288	98.304	2	2	4	10.24	Ah	3D70A3h
19.68	11.2896	90.3168	2	2	4	9.178537	9h	2DB492h
19.68	12.288	98.304	2	2	4	9.990243	9h	FD809Fh
19.8	11.2896	90.3168	2	2	4	9.122909	9h	1F76F7h
19.8	12.288	98.304	2	2	4	9.929697	9h	EE009Eh
24	11.2896	90.3168	2	2	4	7.5264	7h	86C226h
24	12.288	98.304	2	2	4	8.192	8h	3126E8h
26	11.2896	90.3168	2	2	4	6.947446	6h	F28BD4h
26	12.288	98.304	2	2	4	7.561846	7h	8FD525h
27	11.2896	90.3168	2	2	4	6.690133	6h	B0AC93h
27	12.288	98.304	2	2	4	7.281778	7h	482296h

Table 45 PLL Frequency Examples

<p>12.288MHz MCLK</p> <p>WM8960</p> <p>CLKSEL=0 (PLL not used) MS=1 (Master mode) WL=10 (24-bit data) SYSCLKDIV=0 (Divide by 1) ADCDIV=000 (Divide by 1) DACDIV=000 (Divide by 1) BCLKDIV=0100 (Divide by 4)</p> <p>ADCDAT ADC fs = 48kHz ADCLRC DACDAT DAC fs = 48kHz DACLRC BCLK Bit clock = 3.072MHz</p>	<p>Device running in master mode with 24-bit data MCLK input at 12.288MHz ADC and DAC running at fs=48kHz BCLK running at 64fs</p>
<p>12.288MHz MCLK</p> <p>WM8960</p> <p>CLKSEL=0 (PLL not used) MS=0 (Slave mode) WL=10 (24-bit data) SYSCLKDIV=0 (Divide by 1) ADCDIV=000 (Divide by 1) DACDIV=000 (Divide by 1)</p> <p>ADCDAT ADC fs = 48kHz ADCLRC DACDAT DAC fs = 48kHz DACLRC BCLK Bit clock = 3.072MHz</p>	<p>Device running in slave mode with 24-bit data MCLK input at 12.288MHz ADC and DAC running at fs=48kHz BCLK supplied from host at 64fs in this example</p>
<p>11.2896MHz MCLK</p> <p>WM8960</p> <p>CLKSEL=0 (PLL not used) MS=1 (Master mode) WL=10 (24-bit data) SYSCLKDIV=0 (Divide by 1) ADCDIV=101 (Divide by 5.5) DACDIV=000 (Divide by 1) BCLKDIV=0100 (Divide by 4)</p> <p>ADCDAT ADC fs = 8.018kHz ADCLRC DACDAT DAC fs = 44.1kHz DACLRC BCLK Bit clock = 2.8224MHz</p>	<p>Device running in master mode with 24-bit data MCLK input at 11.2896MHz ADC running at fs=8.018kHz DAC running at fs=44.1kHz BCLK running at 64fs (relative to DAC sample rate, as DAC is operating at a higher sample rate than ADC)</p>
<p>11.2896MHz MCLK</p> <p>WM8960</p> <p>CLKSEL=0 (PLL not used) MS=0 (Slave mode) WL=10 (24-bit data) SYSCLKDIV=0 (Divide by 1) ADCDIV=101 (Divide by 5.5) DACDIV=000 (Divide by 1)</p> <p>ADCDAT ADC fs = 8.018kHz ADCLRC DACDAT DAC fs = 44.1kHz DACLRC BCLK Bit clock = 2.8224MHz</p>	<p>Device running in slave mode with 24-bit data MCLK input at 11.2896MHz ADC running at fs=8.018kHz DAC running at fs=44.1kHz BCLK supplied from host at 64fs in this example (relative to DAC sample rate, as DAC is operating at a higher sample rate than ADC)</p>
<p>12MHz MCLK</p> <p>WM8960</p> <p>PLLEN=1 (PLL enable) PLLPRESCALE=0 (Divide by 1) PLLN=7h (PLL N value) PLLK=86C226h (PLL K value) SDM=1 (Fractional mode) CLKSEL=1 (PLL select) MS=1 (Master mode) WL=10 (24-bit data) SYSCLKDIV=2 (Divide by 2) ADCDIV=101 (Divide by 5.5) DACDIV=000 (Divide by 1) BCLKDIV=0100 (Divide by 4) DCLKDIV=111 (Divide by 16)</p> <p>ADCDAT ADC fs = 8.018kHz ADCLRC DACDAT DAC fs = 44.1kHz DACLRC BCLK Bit clock = 2.8224MHz</p>	<p>Device running in master mode with 24-bit data MCLK input at 12MHz PLL Enabled and configured for SYSCLK=11.2896MHz ADC running at fs=8.018kHz DAC running at fs=44.1kHz BCLK running at 64fs (relative to DAC sample rate, as DAC is operating at a higher sample rate than ADC) Class D clocks running at 705.6kHz</p>

Table 46 Example Clocking Schemes

CONTROL INTERFACE

2-WIRE SERIAL CONTROL INTERFACE

The WM8960 is controlled by writing to registers through a 2-wire serial control interface. A control word consists of 16 bits. The first 7 bits (B15 to B9) are address bits that select which control register is accessed. The remaining 9 bits (B8 to B0) are data bits, corresponding to the 9 bits in each control register. Many devices can be controlled by the same bus, and each device has a unique 7-bit address (this is not the same as the 7-bit address of each register in the WM8960).

The device address is 0011010 (**0x34h**).

The WM8960 operates as a slave device only. The controller indicates the start of data transfer with a high to low transition on SDIN while SCLK remains high. This indicates that a device address and data will follow. All devices on the 2-wire bus respond to the start condition and shift in the next eight bits on SDIN (7-bit address + Read/Write bit, MSB first). If the device address received matches the address of the WM8960 and the R/W bit is '0', indicating a write, then the WM8960 responds by pulling SDIN low on the next clock pulse (ACK). If the address is not recognised or the R/W bit is '1', the WM8960 returns to the idle condition and wait for a new start condition and valid address.

Once the WM8960 has acknowledged a correct address, the controller sends the first byte of control data (B15 to B8, i.e. the WM8960 register address plus the first bit of register data). The WM8960 then acknowledges the first data byte by pulling SDIN low for one clock pulse. The controller then sends the second byte of control data (B7 to B0, i.e. the remaining 8 bits of register data), and the WM8960 acknowledges again by pulling SDIN low.

The transfer of data is complete when there is a low to high transition on SDIN while SCLK is high. After receiving a complete address and data sequence the WM8960 returns to the idle state and waits for another start condition. If a start or stop condition is detected out of sequence at any point during data transfer (i.e. SDIN changes while SCLK is high), the device jumps to the idle condition.

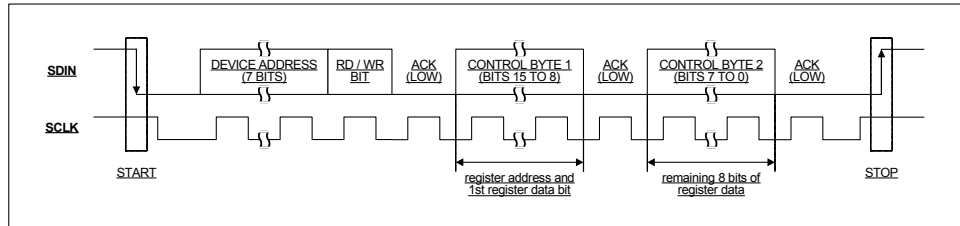


Figure 37 2-Wire Serial Control Interface

POWER MANAGEMENT

The WM8960 has three control registers that allow users to select which functions are active. For minimum power consumption, unused functions should be disabled. To avoid any pop or click noise, it is important to enable or disable functions in the correct order (see Applications Information). VMIDSEL is the enable for the Vmid reference, which defaults to disabled and can be enabled as a 2x50kΩ potential divider or, for low power maintenance of Vref when all other blocks are disabled, as a 2x250kΩ potential divider.

REGISTER ADDRESS	BIT	LABEL	DEFAULT	DESCRIPTION
R25 (19h) Power Management (1)	8:7	VMIDSEL	00	Vmid Divider Enable and Select 00 = Vmid disabled (for OFF mode) 01 = 2 x 50kΩ divider enabled (for playback / record) 10 = 2 x 250kΩ divider enabled (for low-power standby) 11 = 2 x 5kΩ divider enabled (for fast start-up)
	6	VREF	0	VREF (necessary for all other functions) 0 = Power down 1 = Power up
	5	AINL	0	Analogue Input PGA and Boost Left 0 = Power down 1 = Power up (Note: LMIC must also be set to enable the PGA)
	4	AINR	0	Analogue Input PGA and Boost Right 0 = Power down 1 = Power up (Note: RMIC must also be set to enable the PGA)
	3	ADCL	0	ADC Left 0 = Power down 1 = Power up
	2	ADCR	0	ADC Right 0 = Power down 1 = Power up
	1	MICB	0	MICBIAS 0 = Power down 1 = Power up
	0	DIGENB	0	Master Clock Disable 0 = Master clock enabled 1 = Master clock disabled

REGISTER ADDRESS	BIT	LABEL	DEFAULT	DESCRIPTION
R26 (1Ah) Power Management (2)	8	DACL	0	DAC Left 0 = Power down 1 = Power up
	7	DACR	0	DAC Right 0 = Power down 1 = Power up
	6	LOUT1	0	LOUT1 Output Buffer 0 = Power down 1 = Power up
	5	ROUT1	0	ROUT1 Output Buffer 0 = Power down 1 = Power up
	4	SPKL	0	SPK_LP/SPK_LN Output PGA. 0 = Power down 1 = Power up (Note: Speaker output also requires SPK_OP_EN[0] to be set)
	3	SPKR	0	SPK_RP/SPK_RN Output PGA 0 = Power down 1 = Power up (Note: Speaker output also requires SPK_OP_EN[1] to be set)
	1	OUT3	0	OUT3 Output Buffer 0 = Power down 1 = Power up
	0	PLL_EN	0	PLL Enable 0 = Power down 1 = Power up
R47 (2Fh) Power Management (3)	5	LMIC		Left Input PGA Enable 0 = Power down 1 = Power up (Note: PGA also requires AINL to be set)
	4	RMIC		Right Input PGA Enable 0 = Power down 1 = Power up (Note: PGA also requires AINR to be set)
	3	LOMIX		Left Output Mixer Enable 0 = Power down 1 = Power up
	2	ROMIX		Right Output Mixer Enable 0 = Power down 1 = Power up

Table 47 Power Management

STOPPING THE MASTER CLOCK

In order to minimise power consumed in the digital core of the WM8960, the master clock may be stopped in Standby and OFF modes. If this cannot be done externally at the clock source, the DIGENB bit (R25, bit 0) can be set to stop the MCLK signal from propagating into the device core. In Standby mode, setting DIGENB will typically provide an additional power saving on DCVDD of 20uA. However, since setting DIGENB has no effect on the power consumption of other system components external to the WM8960, it is preferable to disable the master clock at its source wherever possible.

MCLK should not be stopped while the class D outputs are enabled, as this would prevent the outputs from functioning.

REGISTER ADDRESS	BIT	LABEL	DEFAULT	DESCRIPTION
R25 (19h) Additional Control (1)	0	DIGENB	0	Master clock disable 0 = Master clock enabled 1 = Master clock disabled

Table 48 Enabling the Master Clock

NOTE: Before DIGENB can be set, the control bits ADCL, ADCR, DACL and DACR must be set to zero and a waiting time of 1ms must be observed. Any failure to follow this procedure may prevent DACs and ADCs from re-starting correctly.

SAVING POWER AT HIGHER SUPPLY VOLTAGE

The AVDD supply of the WM8960 can operate between 2.7V and 3.6V. By default, all analogue circuitry on the device is optimized to run at 3.3V. This set-up is also good for all other supply voltages down to 2.7V. At lower voltages, performance can be improved by increasing the bias current by setting VSEL[1:0] = 01. If low power operation is preferred the bias current can be left at the default setting. This is controlled as shown below.

REGISTER ADDRESS	BIT	LABEL	DEFAULT	DESCRIPTION
R23 (17h) Additional Control (1)	7:6	VSEL [1:0]	11	Analogue Bias Optimisation 00 = Reserved 01 = Increased bias current optimized for AVDD=2.7V 1X = Lowest bias current, optimized for AVDD=3.3V

Table 49 Bias Optimisation

REGISTER MAP

REGISTER	remarks	Bit[8]	Bit[7]	Bit[6]	Bit[5]	Bit[4]	Bit[3]	Bit[2]	Bit[1]	Bit[0]	default	
R0 (00h)	Left Input volume	IPVU		LINMUTE	LIZC	LINVOL[5:0]					0_1001_0111	
R1 (01h)	Right Input volume	IPVU		RINMUTE	RIZC	RINVOL[5:0]					0_1001_0111	
R2 (02h)	LOUT1 volume	OUT1VU	LO1ZC	LOUT1VOL[6:0]							0_0000_0000	
R3 (03h)	ROUT1 volume	OUT1VU	RO1ZC	ROUT1VOL[6:0]							0_0000_0000	
R4 (04h)	Clocking (1)	ADCDIV[2:0]		DACDIV[2:0]		SYSCLKDIV[1:0]		CLKSEL			0_0000_0000	
R5 (05h)	ADC & DAC Control (CTR1)	0	DACDIV2	ADCPOL[1:0]		0	DACMU	DEEMPH[1:0]		ADCHPD	0_0000_1000	
R6 (06h)	ADC & DAC Control (CTR2)	0	0	DACPOL[1:0]		0	DACSM	DACMR	DACSLOPE		0_0000_0000	
R7 (07h)	Audio Interface	ALRSWAP	BCLKINV	MS	DLRWAP	LRP	WL[1:0]		FORMAT[1:0]		0_0000_1010	
R8 (08h)	Clocking (2)	DCLKDIV[2:0]		0	0	BCLKDIV[3:0]					1_1100_0000	
R9 (09h)	Audio Interface	0	0	ALRCGPIO	WL8	DACCMP[1:0]		ADCCMP[1:0]		LOOPBACK	0_0000_0000	
R10 (0Ah)	Left DAC volume	DACVU		LDACVOL[7:0]							0_1111_1111	
R11 (0Bh)	Right DAC volume	DACVU		RDACVOL[7:0]							0_1111_1111	
R12 (0Ch)	Reserved	0	0	0	0	0	0	0	0	0	0_0000_0000	
R13 (0Dh)	Reserved	0	0	0	0	0	0	0	0	0	0_0000_0000	
R14 (0Eh)	Reserved	0	0	0	0	0	0	0	0	0	0_0000_0000	
R15 (0Fh)	Reset	writing to this register resets all registers to their default state										not reset
R16 (10h)	3D control	0	0	3DUC	3DLC	3DDEPTH[3:0]			3DEN	0_0000_0000		
R17 (11h)	ALC1	ALCSEL[1:0]		MAXGAIN[2:0]			ALCL[3:0]					0_0111_1011
R18 (12h)	ALC2	1	0	MINGAIN[2:0]			HLD[3:0]					1_0000_0000
R19 (13h)	ALC3	ALCMODE		DCY[3:0]			ATK[3:0]					0_0011_0010
R20 (14h)	Noise Gate	0	NGTH[4:0]				0	0	NGAT		0_0000_0000	
R21 (15h)	Left ADC volume	ADCVU		LADCVOL[7:0]							0_1100_0011	
R22 (16h)	Right ADC volume	ADCVU		RADCVOL[7:0]							0_1100_0011	
R23 (17h)	Additional control(1)	TSDEN	VSEL[1:0]		0	DMONOMIX	DATSEL[1:0]		TOCLKSEL	TOEN	1_1100_0000	
R24 (18h)	Additional control(2)	0	0	HPSWEN	HPSWPOL	0	TRIS	LRCM	0	0	0_0000_0000	
R25 (19h)	Pwr Mgmt (1)	VMIDSEL[1:0]		VREF	AINL	AINR	ADCL	ADCR	MICB	DIGENB	0_0000_0000	
R26 (1Ah)	Pwr Mgmt (2)	DACL	DACR	LOUT1	ROUT1	SPKL	SPKR	0	OUT3	PLL_EN	0_0000_0000	
R27 (1Bh)	Additional Control (3)	0	0	VROI	0	0	OUT3CAP	ADC_ALC_SR[2:0]			0_0000_0000	
R28 (1Ch)	Anti-pop 1	0	POBCTRL	0	0	BUFDOPEN	BUFIOEN	SOFT_ST	0	HPSTBY	0_0000_0000	
R29 (1Dh)	Anti-pop 2	0	0	DISOP	DRES[1:0]		0	0	0	0	0_0000_0000	
R30 (1Eh)	Reserved	0	0	0	0	0	0	0	0	0	0_0000_0000	
R31 (1Fh)	Reserved	0	0	0	0	0	0	0	0	0	0_0000_0000	
R32 (20h)	ADCL signal path	LMN1	LMP3	LMP2	LMICBOOST[1:0]		LMIC2B	0	0	0	1_0000_0000	
R33 (21h)	ADCR signal path	RMN1	RMP3	RMP2	RMICBOOST[1:0]		RMIC2B	0	0	0	1_0000_0000	
R34 (22h)	Left out Mix (1)	LD2LO	LI2LO	LI2LOVOL[2:0]			0	0	0	0	0_0101_0000	
R35 (23h)	Reserved	0	0	1	0	1	0	0	0	0	0_0101_0000	
R36 (24h)	Reserved	0	0	1	0	1	0	0	0	0	0_0101_0000	
R37 (25h)	Right out Mix (2)	RD2RO	RI2RO	RI2ROVOL[2:0]			0	0	0	0	0_0101_0000	
R38 (26h)	Mono out Mix (1)	0	L2MO	0	0	0	0	0	0	0	0_0000_0000	
R39 (27h)	Mono out Mix (2)	0	R2MO	0	0	0	0	0	0	0	0_0000_0000	
R40 (28h)	LOUT2 volume	SPKVU		SPKLZC		SPKLVOL[6:0]					0_0000_0000	
R41 (29h)	ROUT2 volume	SPKVU		SPKRZC		SPKRVOL[6:0]					0_0000_0000	
R42 (2Ah)	MONOOUT volume	0	0	MOUTVOL	0	0	0	0	0	0	0_0100_0000	
R43 (2Bh)	Input boost mixer (1)	0	0	LIN3BOOST[2:0]			LIN2BOOST[2:0]			0	0_0000_0000	
R44 (2Ch)	Input boost mixer (2)	0	0	RIN3BOOST[2:0]			RIN2BOOST[2:0]			0	0_0000_0000	
R45 (2Dh)	Bypass (1)	0	LB2LO	LB2LOVOL[2:0]			0	0	0	0	0_0101_0000	
R46 (2Eh)	Bypass (2)	0	RB2RO	RB2ROVOL[2:0]			0	0	0	0	0_0101_0000	
R47 (2Fh)	Pwr Mgmt (3)	0	0	0	LMIC	RMIC	LOMIX	ROMIX	0	0	0_0000_0000	
R48 (30h)	Additional Control (4)	0	GPIOPOL	GPIOSEL[2:0]			HPSEL[1:0]		TSENSEN	MBSEL	0_0000_0010	
R49 (31h)	Class D Control (1)	0	SPK_OP_EN[1:0]		1	1	0	1	1	1	0_0011_0111	
R50 (32h)	Reserved	0	0	1	0	0	1	1	0	1	0_0100_1101	
R51 (33h)	Class D Control (3)	0	1	0	DCGAIN[2:0]			ACGAIN[2:0]			0_1000_0000	
R52 (34h)	PLL N	OPCLKDIV[2:0]			SDM	PLLRESCALE	PLLN[3:0]					0_0000_1000
R53 (35h)	PLL K 1	0		PLLK[23:16]							0_0011_0001	
R54 (36h)	PLL K 2	0		PLLK[15:8]							0_0010_0110	
R55 (37h)	PLL K 3	0		PLLK[7:0]							0_1110_1001	

REGISTER BITS BY ADDRESS

REGISTER ADDRESS	BIT	LABEL	DEFAULT	DESCRIPTION	REFER TO
R0 (00h) Left Input Volume	8	IPVU	N/A	Input PGA Volume Update Writing a 1 to this bit will cause left and right input PGA volumes to be updated (LINVOL and RINVOL)	Input Signal Path
	7	LINMUTE	1	Left Input PGA Analogue Mute 1 = Enable Mute 0 = Disable Mute Note: IPVU must be set to un-mute.	Input Signal Path
	6	LIZC	0	Left Input PGA Zero Cross Detector 1 = Change gain on zero cross only 0 = Change gain immediately	Input Signal Path
	5:0	LINVOL[5:0]	010111	Left Input PGA Volume Control 111111 = +30dB 111110 = +29.25dB .. 0.75dB steps down to 000000 = -17.25dB	Input Signal Path
R1 (01h) Right Input Volume	8	IPVU	N/A	Input PGA Volume Update Writing a 1 to this bit will cause left and right input PGA volumes to be updated (LINVOL and RINVOL)	Input Signal Path
	7	RINMUTE	1	Right Input PGA Analogue Mute 1 = Enable Mute 0 = Disable Mute Note: IPVU must be set to un-mute.	Input Signal Path
	6	RIZC	0	Right Input PGA Zero Cross Detector 1 = Change gain on zero cross only 0 = Change gain immediately	Input Signal Path
	5:0	RINVOL[5:0]	010111	Right Input PGA Volume Control 111111 = +30dB 111110 = +29.25dB .. 0.75dB steps down to 000000 = -17.25dB	Input Signal Path
R2 (02h) LOUT1 Volume	8	OUT1VU	N/A	Headphone Output PGA Volume Update Writing a 1 to this bit will cause left and right headphone output volumes to be updated (LOUT1VOL and ROUT1VOL)	Analogue Outputs
	7	LO1ZC	0	Left Headphone Output Zero Cross Enable 0 = Change gain immediately 1 = Change gain on zero cross only	Analogue Outputs
	6:0	LOUT1VOL[6:0]	0000000	LOUT1 Volume 1111111 = +6dB ... 1dB steps down to 0110000 = -73dB 0101111 to 0000000 = Analogue MUTE	Analogue Outputs
R3 (03h) ROUT1 Volume	8	OUT1VU	N/A	Headphone Output PGA Volume Update Writing a 1 to this bit will cause left and right headphone output volumes to be updated (LOUT1VOL and ROUT1VOL)	Analogue Outputs
	7	RO1ZC	0	Right Headphone Output Zero Cross Enable 0 = Change gain immediately 1 = Change gain on zero cross only	Analogue Outputs

REGISTER ADDRESS	BIT	LABEL	DEFAULT	DESCRIPTION	REFER TO
	6:0	ROUT1VOL[6:0]	0000000	ROUT1 Volume 1111111 = +6dB ... 1dB steps down to 0110000 = -73dB 0101111 to 0000000 = Analogue MUTE	Analogue Outputs
R4 (04h) Clocking (1)	8:6	ADCDIV[2:0]	000	ADC Sample rate divider (Also determines ADCLRC in master mode) 000 = SYSCLK / (1.0 * 256) 001 = SYSCLK / (1.5 * 256) 010 = SYSCLK / (2 * 256) 011 = SYSCLK / (3 * 256) 100 = SYSCLK / (4 * 256) 101 = SYSCLK / (5.5 * 256) 110 = SYSCLK / (6 * 256) 111 = Reserved	Clocking and Sample Rates
	5:3	DACDIV[2:0]	000	DAC Sample rate divider (Also determines DACLRC in master mode) 000 = SYSCLK / (1.0 * 256) 001 = SYSCLK / (1.5 * 256) 010 = SYSCLK / (2 * 256) 011 = SYSCLK / (3 * 256) 100 = SYSCLK / (4 * 256) 101 = SYSCLK / (5.5 * 256) 110 = SYSCLK / (6 * 256) 111 = Reserved	Clocking and Sample Rates
	2:1	SYSCCLKDIV[1:0]	00	SYSCCLK Pre-divider. Clock source (MCLK or PLL output) will be divided by this value to generate SYSCCLK. 00 = Divide SYSCCLK by 1 01 = Reserved 10 = Divide SYSCCLK by 2 11 = Reserved	Clocking and Sample Rates
	0	CLKSEL	0	SYSCCLK Selection 0 = SYSCCLK derived from MCLK 1 = SYSCCLK derived from PLL output	Clocking and Sample Rates
R5 (05h) ADC and DAC Control (1)	8		0	Reserved	
	7	DACDIV2	0	DAC 6dB Attenuate Enable 0 = Disabled (0dB) 1 = -6dB Enabled	Output Signal Path
	6:5	ADCPOL[1:0]	00	ADC polarity control: 00 = Polarity not inverted 01 = ADC L inverted 10 = ADC R inverted 11 = ADC L and R inverted	Analogue to Digital Converter
	4		0	Reserved	
	3	DACMU	1	DAC Digital Soft Mute 1 = Mute 0 = No mute (signal active)	Output Signal Path
	2:1	DEEMPH[1:0]	00	De-emphasis Control 11 = 48kHz sample rate 10 = 44.1kHz sample rate 01 = 32kHz sample rate 00 = No de-emphasis	Output Signal Path

REGISTER ADDRESS	BIT	LABEL	DEFAULT	DESCRIPTION	REFER TO
	0	ADCHPD	0	ADC High Pass Filter Disable 0 = Enable high pass filter on left and right channels 1 = Disable high pass filter on left and right channels	Analogue to Digital Converter
R6 (06h) ADC and DAC Control (2)	8:7		00	Reserved	
	6:5	DACPOL[1:0]	00	DAC polarity control: 00 = Polarity not inverted 01 = DAC L inverted 10 = DAC R inverted 11 = DAC L and R inverted	Output Signal Path
	4		0	Reserved	
	3	DACSMM	0	DAC Soft Mute Mode 0 = Disabling soft-mute (DACMU=0) will cause the volume to change immediately to the LDACVOL / RDACVOL settings 1 = Disabling soft-mute (DACMU=0) will cause the volume to ramp up gradually to the LDACVOL / RDACVOL settings	Output Signal Path
	2	DACMR	0	DAC Soft Mute Ramp Rate 0 = Fast ramp (24kHz at fs=48k, providing maximum delay of 10.7ms) 1 = Slow ramp (1.5kHz at fs=48k, providing maximum delay of 171ms)	Output Signal Path
	1	DACSLOPE	0	Selects DAC filter characteristics 0 = Normal mode 1 = Sloping stopband	Output Signal Path
	0		0	Reserved	
R7 (07h) Audio Interface	8	ALRSWAP	0	Left/Right ADC Channel Swap 1 = Swap left and right ADC data in audio interface 0 = Output left and right data as normal	Audio Interface Control
	7	BCLKINV	0	BCLK invert bit (for master and slave modes) 0 = BCLK not inverted 1 = BCLK inverted	Audio Interface Control
	6	MS	0	Master / Slave Mode Control 0 = Enable slave mode 1 = Enable master mode	Audio Interface Control
	5	DLRSWAP	0	Left/Right DAC Channel Swap 0 = Output left and right data as normal 1 = Swap left and right DAC data in audio interface	Audio Interface Control
	4	LRP	0	Right, left and I ² S modes – LRCLK polarity 0 = normal LRCLK polarity 1 = invert LRCLK polarity DSP Mode – mode A/B select 0 = MSB is available on 2nd BCLK rising edge after LRC rising edge (mode A) 1 = MSB is available on 1st BCLK rising edge after LRC rising edge (mode B)	Audio Interface Control
	3:2	WL[1:0]	10	Audio Data Word Length 00 = 16 bits 01 = 20 bits 10 = 24 bits 11 = 32 bits (see Note)	Audio Interface Control

REGISTER ADDRESS	BIT	LABEL	DEFAULT	DESCRIPTION	REFER TO
	1:0	FORMAT[1:0]	10	00 = Right justified 01 = Left justified 10 = I ² S Format 11 = DSP Mode	Audio Interface Control
R8 (08h) Clocking (2)	8:6	DCLKDIV[2:0]	111	Class D switching clock divider. 000 = SYSCLK / 1.5 (Not recommended) 001 = SYSCLK / 2 010 = SYSCLK / 3 011 = SYSCLK / 4 100 = SYSCLK / 6 101 = SYSCLK / 8 110 = SYSCLK / 12 111 = SYSCLK / 16	Class D Speaker Outputs; Clocking and Sample Rates
	5:4		00	Reserved	
	3:0	BCLKDIV[3:0]	0000	BCLK Frequency (Master Mode) 0000 = SYSCLK 0001 = SYSCLK / 1.5 0010 = SYSCLK / 2 0011 = SYSCLK / 3 0100 = SYSCLK / 4 0101 = SYSCLK / 5.5 0110 = SYSCLK / 6 0111 = SYSCLK / 8 1000 = SYSCLK / 11 1001 = SYSCLK / 12 1010 = SYSCLK / 16 1011 = SYSCLK / 22 1100 = SYSCLK / 24 1101 to 1111 = SYSCLK / 32	Clocking and Sample Rates
R9 (09h) Audio Interface	8:7		00	Reserved	
	6	ALRCGPIO	0	ADCLRC/GPIO1 Pin Function Select 0 = ADCLRC frame clock for ADC 1 = GPIO pin	General Purpose Input / Output; Digital Audio Interface
	5	WL8	0	8-Bit Word Length Select (Used with companding) 0 = Off 1 = Device operates in 8-bit mode.	Audio Interface Control
	4:3	DACCOMP[1:0]	00	DAC companding 00 = off 01 = reserved 10 = μ -law 11 = A-law	Audio Interface Control
	2:1	ADCCOMP[1:0]	00	ADC companding 00 = off 01 = reserved 10 = μ -law 11 = A-law	Audio Interface Control
	0	LOOPBACK	0	Digital Loopback Function 0 = No loopback. 1 = Loopback enabled, ADC data output is fed directly into DAC data input.	Audio Interface Control

REGISTER ADDRESS	BIT	LABEL	DEFAULT	DESCRIPTION	REFER TO
R10 (0Ah) Left DAC Volume	8	DACVU	N/A	DAC Volume Update Writing a 1 to this bit will cause left and right DAC volumes to be updated (LDACVOL and RDACVOL)	Output Signal Path
	7:0	LDACVOL[7:0]	11111111	Left DAC Digital Volume Control 0000 0000 = Digital Mute 0000 0001 = -127dB 0000 0010 = -126.5dB ... 0.5dB steps up to 1111 1111 = 0dB	Output Signal Path
R11 (0Bh) Right DAC Volume	8	DACVU	N/A	DAC Volume Update Writing a 1 to this bit will cause left and right DAC volumes to be updated (LDACVOL and RDACVOL)	Output Signal Path
	7:0	RDACVOL[7:0]	11111111	Right DAC Digital Volume Control 0000 0000 = Digital Mute 0000 0001 = -127dB 0000 0010 = -126.5dB ... 0.5dB steps up to 1111 1111 = 0dB	Output Signal Path
R12 (0Ch)	8:0		000000000	Reserved	
R13 (0Dh)	8:0		000000000	Reserved	
R14 (0Eh)	8:0		000000000	Reserved	
R15 (0Fh) Reset	8:0	Reset	N/A	Writing to this register resets all registers to their default state.	
R16 (10h) 3D Control	8		0	Reserved	
	7		0	Reserved	
	6	3DUC	0	3D Enhance Filter Upper Cut-Off Frequency 0 = High (Recommended for fs>=32kHz) 1 = Low (Recommended for fs<32kHz)	Output Signal Path
	5	3DLC	0	3D Enhance Filter Lower Cut-Off Frequency 0 = Low (Recommended for fs>=32kHz) 1 = High (Recommended for fs<32kHz)	Output Signal Path
	4:1	3DDEPTH[3:0]	0000	3D Stereo Depth 0000 = 0% (minimum 3D effect) 0001 = 6.67% 1110 = 93.3% 1111 = 100% (maximum 3D effect)	Output Signal Path
	0	3DEN	0	3D Stereo Enhancement Enable 0 = Disabled 1 = Enabled	Output Signal Path
R17 (11h) ALC (1)	8:7	ALCSEL[1:0]	00	ALC Function Select 00 = ALC off (PGA gain set by register) 01 = Right channel only 10 = Left channel only 11 = Stereo (PGA registers unused) Note: ensure that LINVOL and RINVOL settings (reg. 0 and 1) are the same before entering this mode.	Automatic Level Control

REGISTER ADDRESS	BIT	LABEL	DEFAULT	DESCRIPTION	REFER TO
	6:4	MAXGAIN[2:0]	0000	Set Maximum Gain of PGA (During ALC operation) 111 : +30dB 110 : +24dB ...(-6dB steps) 001 : -6dB 000 : -12dB	Automatic Level Control
	3:0	ALCL[3:0]	1011	ALC Target (Sets signal level at ADC input) 0000 = -22.5dB FS 0001 = -21.0dB FS ... (1.5dB steps) 1101 = -3.0dB FS 1110 = -1.5dB FS 1111 = -1.5dB FS	Automatic Level Control
R18 (12h) ALC (2)	8		1	Reserved	
	7		0	Reserved	
	6:4	MINGAIN[2:0]	000	Set Minimum Gain of PGA (During ALC operation) 000 = -17.25dB 001 = -11.25dB 010 = -5.25dB 011 = +0.75dB 100 = +6.75dB 101 = +12.75dB 110 = +18.75dB 111 = +24.75dB	Automatic Level Control
	3:0	HLD[3:0]	0000	ALC hold time before gain is increased. 0000 = 0ms 0001 = 2.67ms 0010 = 5.33ms ... (time doubles with every step) 1111 = 43.691s	Automatic Level Control
R19 (13h) ALC (3)	8	ALCMODE	0	Determines the ALC mode of operation: 0 = ALC mode 1 = Limiter mode	Automatic Level Control
	7:4	DCY[3:0]	0011	ALC decay (gain ramp-up) time 0000 = 24ms 0001 = 48ms 0010 = 96ms ... (time doubles with every step) 1010 or higher = 24.58s	Automatic Level Control
	3:0	ATK[3:0]	0010	ALC attack (gain ramp-down) time 0000 = 6ms 0001 = 12ms 0010 = 24ms ... (time doubles with every step) 1010 or higher = 6.14s	Automatic Level Control
R20 (14h) Noise Gate	8		0	Reserved	
	7:3	NGTH[4:0]	00000	Noise gate threshold 00000 -76.5dBfs 00001 -75dBfs ... 1.5 dB steps 11110 -31.5dBfs 11111 -30dBfs	Automatic Level Control

REGISTER ADDRESS	BIT	LABEL	DEFAULT	DESCRIPTION	REFER TO
	2:1		00	Reserved	
	0	NGAT	0	Noise gate function enable 0 = disable 1 = enable	Automatic Level Control
R21 (15h) Left ADC Volume	8	ADCVU	N/A	ADC Volume Update Writing a 1 to this bit will cause left and right ADC volumes to be updated (LADCVOL and RADCVOL)	Analogue to Digital Converter
	7:0	LADCVOL[7:0]	11000011	Left ADC Digital Volume Control 0000 0000 = Digital Mute 0000 0001 = -97dB 0000 0010 = -96.5dB ... 0.5dB steps up to 1111 1111 = +30dB	Analogue to Digital Converter
R22 (16h) Right ADC Volume	8	ADCVU	N/A	ADC Volume Update Writing a 1 to this bit will cause left and right ADC volumes to be updated (LADCVOL and RADCVOL)	Analogue to Digital Converter
	7:0	RADCVOL[7:0]	11000011	Right ADC Digital Volume Control 0000 0000 = Digital Mute 0000 0001 = -97dB 0000 0010 = -96.5dB ... 0.5dB steps up to 1111 1111 = +30dB	Analogue to Digital Converter
R23 (17h) Additional Control (1)	8	TSDEN	1	Thermal Shutdown Enable 0 = Thermal shutdown disabled 1 = Thermal shutdown enabled (TSENSEN must be enabled for this function to work)	Thermal Shutdown
	7:6	VSEL[1:0]	11	Analogue Bias Optimisation 00 = Reserved 01 = Increased bias current optimized for AVDD=2.7V 1X = Lowest bias current, optimized for AVDD=3.3V	Power Management
	5		0	Reserved	
	4	DMONOMIX	0	DAC Mono Mix 0 = Stereo 1 = Mono (Mono MIX output on enabled DACs)	Output Signal Path
	3:2	DATSEL[1:0]	00	ADC Data Output Select 00: left data = left ADC; right data =right ADC 01: left data = left ADC; right data = left ADC 10: left data = right ADC; right data =right ADC 11: left data = right ADC; right data = left ADC	Analogue to Digital Converter
	1	TOCLKSEL	0	Slow Clock Select (Used for volume update timeouts and for jack detect debounce) 0 = SYSCLK / 2 ²¹ (Slower Response) 1 = SYSCLK / 2 ¹⁹ (Faster Response)	Volume Updates; Headphone Jack Detect
	0	TOEN	0	Enables Slow Clock for Volume Update Timeout and Jack Detect Debounce 0 = Slow clock disabled 1 = Slow clock enabled	Volume Updates; Headphone Jack Detect
R24 (18h)	8:7		00	Reserved	

REGISTER ADDRESS	BIT	LABEL	DEFAULT	DESCRIPTION	REFER TO
Additional Control (2)	6	HPSWEN	0	Headphone Switch Enable 0 = Headphone switch disabled 1 = Headphone switch enabled	Headphone Jack Detect
	5	HPSWPOL	0	Headphone Switch Polarity 0 = HPDETECT high = headphone 1 = HPDETECT high = speaker	Headphone Jack Detect
	4			Reserved	
	3	TRIS	0	Tristates ADCDAT and switches ADCLRC, DACLRC and BCLK to inputs. 0 = ADCDAT is an output; ADCLRC, DACLRC and BCLK are inputs (slave mode) or outputs (master mode) 1 = ADCDAT is tristated; DACLRC and BCLK are inputs; ADCLRC is an input (when not configured as a GPIO)	Audio Interface Control
	2	LRCM	0	Selects disable mode for ADCLRC and DACLRC (Master mode) 0 = ADCLRC disabled when ADC (Left and Right) disabled; DACLRC disabled when DAC (Left and Right) disabled. 1 = ADCLRC and DACLRC disabled only when ADC (Left and Right) and DAC (Left and Right) are disabled.	Audio Interface Control
	1:0		0	Reserved	
R25 (19h) Power Mgmt (1)	8:7	VMIDSEL[1:0]	00	Vmid Divider Enable and Select 00 = Vmid disabled (for OFF mode) 01 = 2 x 50kΩ divider enabled (for playback / record) 10 = 2 x 250kΩ divider enabled (for low-power standby) 11 = 2 x 5kΩ divider enabled (for fast start-up)	Power Management
	6	VREF	0	VREF (necessary for all other functions) 0 = Power down 1 = Power up	Power Management
	5	AINL	0	Analogue in PGA Left 0 = Power down 1 = Power up	Power Management
	4	AINR	0	Analogue in PGA Right 0 = Power down 1 = Power up	Power Management
	3	ADCL	0	ADC Left 0 = Power down 1 = Power up	Power Management
	2	ADCR	0	ADC Right 0 = Power down 1 = Power up	Power Management
	1	MICB	0	MICBIAS 0 = Power down 1 = Power up	Power Management
	0	DIGENB	0	Master Clock Disable 0 = Master clock enabled 1 = Master clock disabled	Power Management
R26 (1Ah) Power Mgmt (2)	8	DACL	0	DAC Left 0 = Power down 1 = Power up	Power Management

REGISTER ADDRESS	BIT	LABEL	DEFAULT	DESCRIPTION	REFER TO
	7	DACR	0	DAC Right 0 = Power down 1 = Power up	Power Management
	6	LOUT1	0	LOUT1 Output Buffer 0 = Power down 1 = Power up	Power Management
	5	ROUT1	0	ROUT1 Output Buffer 0 = Power down 1 = Power up	Power Management
	4	SPKL	0	SPK_LP/SPK_LN Output Buffers 0 = Power down 1 = Power up	Power Management
	3	SPKR	0	SPK_RP/SPK_RN Output Buffers 0 = Power down 1 = Power up	Power Management
	2		0	Reserved	
	1	OUT3	0	OUT3 Output Buffer 0 = Power down 1 = Power up	Power Management
	0	PLL_EN	0	PLL Enable 0 = Power down 1 = Power up	Power Management
R27 (1Bh) Additional Control (3)	8:7		00	Reserved	
	6	VROI	0	VREF to Analogue Output Resistance (Disabled Outputs) 0 = 500Ω VMID to output 1 = 20kΩ VMID to output	Enabling the Outputs
	5		0	Reserved	
	4		0	Reserved	
	3	OUT3CAP	0	Capless Mode Headphone Switch Enable 0 = OUT3 unaffected by jack detect events 1 = OUT3 enabled and disabled together with HP_L and HP_R in response to jack detect events	Headphone Jack Detect
	2:0	ADC_ALC_SR	000	ALC Sample Rate 000 = 44.1k / 48k 001 = 32k 010 = 22.05k / 24k 011 = 16k 100 = 11.25k / 12k 101 = 8k 110 and 111 = Reserved	Automatic Level Control
R28 (1Ch) Anti-Pop 1	8		0	Reserved	
	7	POBCTRL	0	Selects the bias current source for output amplifiers and VMID buffer 0 = VMID / R bias 1 = VGS / R bias	
	6:5		00	Reserved	
	4	BUFDCOPEN	0	Enables the VGS / R current generator 0 = Disabled 1 = Enabled	

REGISTER ADDRESS	BIT	LABEL	DEFAULT	DESCRIPTION	REFER TO
	3	BUFIOEN	0	Enables the VGS / R current generator and the analogue input and output bias 0 = Disabled 1 = Enabled	
	2	SOFT_ST	0	Enables VMID soft start 0 = Disabled 1 = Enabled	
	1		0	Reserved	
	0	HPSTBY	0	Headphone Amplifier Standby 0 = Standby mode disabled (Normal operation) 1 = Standby mode enabled	
R29 (1Dh)	8:7		00	Reserved	
Anti-pop 2	6	DISOP	0	Discharges the DC-blocking headphone capacitors on HP_L and HP_R 0 = Disabled 1 = Enabled	
	5:4	DRES[1:0]	00	DRES determines the value of the resistors used to discharge the DC-blocking headphone capacitors when DISOP=1 DRES[1:0] Resistance (Ohms) 0 0 400 0 1 200 1 0 600 1 1 150	
	3:0		0000	Reserved	
R30 (1Eh)	8:0		000000000	Reserved	
R31 (1Fh)	8:0		000000000	Reserved	
R32 (20h) ADCL Signal Path	8	LMN1	1	Connect LINPUT1 to inverting input of Left Input PGA 0 = LINPUT1 not connected to PGA 1 = LINPUT1 connected to PGA	Input Signal Path
	7	LMP3	0	Connect LINPUT3 to non-inverting input of Left Input PGA 0 = LINPUT3 not connected to PGA 1 = LINPUT3 connected to PGA (Constant input impedance)	Input Signal Path
	6	LMP2	0	Connect LINPUT2 to non-inverting input of Left Input PGA 0 = LINPUT2 not connected to PGA 1 = LINPUT2 connected to PGA (Constant input impedance)	Input Signal Path
	5:4	LMICBOOST[1:0]	00	Left Channel Input PGA Boost Gain 00 = +0dB 01 = +13dB 10 = +20dB 11 = +29dB	Input Signal Path
	3	LMIC2B	0	Connect Left Input PGA to Left Input Boost Mixer 0 = Not connected 1 = Connected	Input Signal Path
	2:0		000	Reserved	
R33 (21h) ADCR Signal Path	8	RMN1	1	Connect RINPUT1 to inverting input of Right Input PGA 0 = RINPUT1 not connected to PGA 1 = RINPUT1 connected to PGA	Input Signal Path

REGISTER ADDRESS	BIT	LABEL	DEFAULT	DESCRIPTION	REFER TO
	7	RMP3	0	Connect RINPUT3 to non-inverting input of Right Input PGA 0 = RINPUT3 not connected to PGA 1 = RINPUT3 connected to PGA (Constant input impedance)	Input Signal Path
	6	RMP2	0	Connect RINPUT2 to non-inverting input of Right Input PGA 0 = RINPUT2 not connected to PGA 1 = RINPUT2 connected to PGA (Constant input impedance)	Input Signal Path
	5:4	RMICBOOST[1:0]	00	Right Channel Input PGA Boost Gain 00 = +0dB 01 = +13dB 10 = +20dB 11 = +29dB	Input Signal Path
	3	RMIC2B	0	Connect Right Input PGA to Right Input Boost Mixer 0 = Not connected 1 = Connected	Input Signal Path
	2:0		000	Reserved	
R34 (22h) Left Out Mix	8	LD2LO	0	Left DAC to Left Output Mixer 0 = Disable (Mute) 1 = Enable Path	Output Signal Path
	7	LI2LO	0	LINPUT3 to Left Output Mixer 0 = Disable (Mute) 1 = Enable Path	Output Signal Path
	6:4	LI2LOVOL[2:0]	101	LINPUT3 to Left Output Mixer Volume 000 = 0dB ...(3dB steps) 111 = -21dB	Output Signal Path
	3:0		0000	Reserved	
R35 (23h)	8:0		001010000	Reserved	
R36 (24h)	8:0		001010000	Reserved	
R37 (25h) Right Out Mix	8	RD2RO	0	Right DAC to Right Output Mixer 0 = Disable (Mute) 1 = Enable Path	Output Signal Path
	7	RI2RO	0	RINPUT3 to Right Output Mixer 0 = Disable (Mute) 1 = Enable Path	Output Signal Path
	6:4	RI2ROVOL[2:0]	101	RINPUT3 to Right Output Mixer Volume 000 = 0dB ...(3dB steps) 111 = -21dB	Output Signal Path
	3:0		0000	Reserved	
R38 (26h) Mono Out Mix (1)	8		0	Reserved	
	7	L2MO	0	Left Output Mixer to Mono Output Mixer Control 0 = Left channel mix disabled 1 = Left channel mix enabled	Output Signal Path
	6:0		0000000	Reserved	
R39 (27h) Mono Out Mix (2)	8		0	Reserved	
	7	R2MO	0	Right Output Mixer to Mono Output Mixer Control 0 = Right channel mix disabled 1 = Right channel mix enabled	Output Signal Path
	6:0		0000000	Reserved	

REGISTER ADDRESS	BIT	LABEL	DEFAULT	DESCRIPTION	REFER TO
R40 (28h) Left Speaker Volume	8	SPKVU	N/A	Speaker Volume Update Writing a 1 to this bit will cause left and right speaker volumes to be updated (SPKLVOL and SPKRVOL)	Analogue Outputs
	7	SPKLZC	0	Left Speaker Zero Cross Enable 1 = Change gain on zero cross only 0 = Change gain immediately	Analogue Outputs
	6:0	SPKLVOL[6:0]	0000000	SPK_LP/SPK_LN Volume 1111111 = +6dB ... 1dB steps down to 0110000 = -73dB 0101111 to 0000000 = Analogue MUTE	Analogue Outputs
R41 (29h) Right Speaker Volume	8	SPKVU	N/A	Speaker Volume Update Writing a 1 to this bit will cause left and right speaker volumes to be updated (SPKLVOL and SPKRVOL)	Analogue Outputs
	7	SPKRZC	0	Right Speaker Zero Cross Enable 1 = Change gain on zero cross only 0 = Change gain immediately	Analogue Outputs
	6:0	SPKRVOL[6:0]	0000000	SPK_RP/SPK_RN Volume 1111111 = +6dB ... 1dB steps down to 0110000 = -73dB 0101111 to 0000000 = Analogue MUTE	Analogue Outputs
R42 (2Ah) OUT3 Volume	8:7		00	Reserved	
	6	MOUTVOL	1	Mono Output Mixer Volume Control 0 = 0dB 1 = -6dB	Output Signal Path
	5:0		000000	Reserved	
R43 (2Bh) Left Input Boost Mixer	8:7		00	Reserved	
	6:4	LIN3BOOST[2:0]	000	LINPUT3 to Boost Mixer Gain 000 = Mute 001 = -12dB ...3dB steps up to 111 = +6dB	Input Signal Path
	3:1	LIN2BOOST[2:0]	000	LINPUT2 to Boost Mixer Gain 000 = Mute 001 = -12dB ...3dB steps up to 111 = +6dB	Input Signal Path
	0		0	Reserved	
R44 (2Ch) Right Input Boost Mixer	8:7		00	Reserved	
	6:4	RIN3BOOST[2:0]	000	RINPUT3 to Boost Mixer Gain 000 = Mute 001 = -12dB ...3dB steps up to 111 = +6dB	Input Signal Path
	3:1	RIN2BOOST[2:0]	000	RINPUT2 to Boost Mixer Gain 000 = Mute 001 = -12dB ...3dB steps up to 111 = +6dB	Input Signal Path
	0		0	Reserved	
R45 (2Dh)	8		0	Reserved	

REGISTER ADDRESS	BIT	LABEL	DEFAULT	DESCRIPTION	REFER TO
Left Bypass	7	LB2LO	0	Left Input Boost Mixer to Left Output Mixer 0 = Disable (Mute) 1 = Enable Path	Output Signal Path
	6:4	LB2LOVOL[2:0]	101	Left Input Boost Mixer to Left Output Mixer Volume 000 = 0dB ...(3dB steps) 111 = -21dB	Output Signal Path
	3:0		0000	Reserved	
R46 (2Eh) Right Bypass	8		0	Reserved	
	7	RB2RO	0	Right Input Boost Mixer to Right Output Mixer 0 = Disable (Mute) 1 = Enable Path	Output Signal Path
	6:4	RB2ROVOL[2:0]	101	Right Input Boost Mixer to Right Output Mixer Volume 000 = 0dB ...(3dB steps) 111 = -21dB	Output Signal Path
	3:0		0000	Reserved	
R47 (2Fh) Power Mgmt (3)	8:6		000	Reserved	
	5	LMIC	0	Left Channel Input PGA Enable 0 = PGA disabled 1 = PGA enabled (if AINL = 1)	Input Signal Path
	4	RMIC	0	Right Channel Input PGA Enable 0 = PGA disabled 1 = PGA enabled (if AINR = 1)	Input Signal Path
	3	LOMIX	0	Left Output Mixer Enable Control 0 = Disabled 1 = Enabled	Output Signal Path
	2	ROMIX	0	Right Output Mixer Enable Control 0 = Disabled 1 = Enabled	Output Signal Path
	1:0		00	Reserved	
R48 (30h) Additional Control (4)	8		0	Reserved	
	7	GPIOPOL	0	GPIO Polarity Invert 0 = Non inverted 1 = Inverted	General Purpose Input / Output
	6:4	GPIOSEL[2:0]	000	ADCLRC/GPIO1 GPIO Function Select: 000 = Jack detect input 001 = Reserved 010 = Temperature ok 011 = Debounced jack detect output 100 = SYSCLK output 101 = PLL lock 110 = Logic 0 111 = Logic 1	General Purpose Input / Output
	3:2	HPSEL[1:0]	00	Headphone Switch Input Select 0X = GPIO1 used for jack detect input (Requires ADCLRC pin to be configured as a GPIO) 10 = JD2 used for jack detect input 11 = JD3 used for jack detect input	Headphone Jack Detect
	1	TSENSEN	1	Temperature Sensor Enable 0 = Temperature sensor disabled 1 = Temperature sensor enabled	Thermal Shutdown

REGISTER ADDRESS	BIT	LABEL	DEFAULT	DESCRIPTION	REFER TO
	0	MBSEL	0	Microphone Bias Voltage Control 0 = 0.9 * AVDD 1 = 0.65 * AVDD	Input Signal Path
R49 (31h)	8		0	Reserved	
Class D Control (1)	7:6	SPK_OP_EN[1:0]	00	Enable Class D Speaker Outputs 00 = Off 01 = Left speaker only 10 = Right speaker only 11 = Left and right speakers enabled	Enabling the Outputs
	5:0		110111	Reserved	
R50 (32h)	8:0		001001101	Reserved	
R51 (33h)	8:6		010	Reserved	
Class D Control (2)	5:3	DCGAIN[2:0]	000	DC Speaker Boost (Boosts speaker DC output level by up to 1.8 x on left and right channels) 000 = 1.00x boost (+0dB) 001 = 1.27x boost (+2.1dB) 010 = 1.40x boost (+2.9dB) 011 = 1.52x boost (+3.6dB) 100 = 1.67x boost (+4.5dB) 101 = 1.8x boost (+5.1dB) 110 to 111 = Reserved	Analogue Outputs
	2:0	ACGAIN[2:0]	000	AC Speaker Boost (Boosts speaker AC output signal by up to 1.8 x on left and right channels) 000 = 1.00x boost (+0dB) 001 = 1.27x boost (+2.1dB) 010 = 1.40x boost (+2.9dB) 011 = 1.52x boost (+3.6dB) 100 = 1.67x boost (+4.5dB) 101 = 1.8x boost (+5.1dB) 110 to 111 = Reserved	Analogue Outputs
R52 (34h) PLL (1)	8:6	OPCLKDIV[2:0]	000	SYSCLK Output to GPIO Clock Division ratio 000 = SYSCLK 001 = SYSCLK / 2 010 = SYSCLK / 3 011 = SYSCLK / 4 100 = SYSCLK / 5.5 101 = SYSCLK / 6	General Purpose Input / Output
	5	SDM	0	Enable Integer Mode 0 = Integer mode 1 = Fractional mode	Clocking and Sample Rates
	4	PLLPRESCALE	0	Divide MCLK by 2 before input to PLL 0 = Divide by 1 1 = Divide by 2	Clocking and Sample Rates
	3:0	PLLN[3:0]	1000	Integer (N) part of PLL input/output frequency ratio. Use values greater than 5 and less than 13.	Clocking and Sample Rates
R53 (35h) PLL (2)	8		0	Reserved	
	7:0	PLLK[23:16]	00110001	Fractional (K) part of PLL1 input/output frequency ratio (treat as one 24-digit binary number).	Clocking and Sample Rates
R54 (36h) PLL (3)	8		0	Reserved	
	7:0	PLLK[15:8]	00100110	Fractional (K) part of PLL1 input/output frequency ratio (treat as one 24-digit binary number).	Clocking and Sample Rates

REGISTER ADDRESS	BIT	LABEL	DEFAULT	DESCRIPTION	REFER TO
R55 (37h)	8		0	Reserved	
PLL (4)	7:0	PLLK[7:0]	11101001	Fractional (K) part of PLL1 input/output frequency ratio (treat as one 24-digit binary number).	Clocking and Sample Rates

DIGITAL FILTER CHARACTERISTICS

PARAMETER	TEST CONDITIONS	MIN	TYP	MAX	UNIT
ADC Filter					
Passband	+/- 0.05dB	0		0.454 fs	
	-6dB		0.5fs		
Passband Ripple				+/- 0.05	dB
Stopband		0.546s			
Stopband Attenuation	f > 0.546 fs	-60			dB
DAC Normal Filter					
Passband	+/- 0.03dB	0		0.454 fs	
	-6dB		0.5 fs		
Passband Ripple	0.454 fs			+/- 0.03	dB
Stopband		0.546 fs			
Stopband Attenuation	F > 0.546 fs	-50			dB
DAC Sloping Stopband Filter					
Passband	+/- 0.03dB	0		0.25 fs	
	+/- 1dB	0.25 fs		0.454 fs	
	-6dB		0.5 fs		
Passband Ripple	0.25 fs			+/- 0.03	dB
Stopband 1		0.546 fs		0.7 fs	
Stopband 1 Attenuation	f > 0.546 fs	-60			dB
Stopband 2		0.7 fs		1.4 fs	
Stopband 2 Attenuation	f > 0.7 fs	-85			dB
Stopband 3		1.4 fs			
Stopband 3 Attenuation	F > 1.4 fs	-55			dB

DAC FILTERS		ADC FILTERS	
Mode	Group Delay	Mode	Group Delay
Normal	18 / fs	Normal	18 / fs
Sloping Stopband	18 / fs		

ADC FILTER RESPONSES

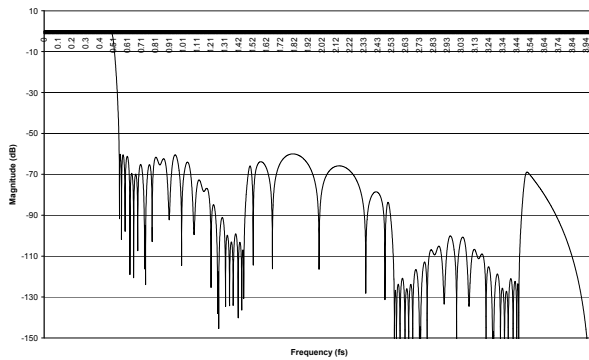


Figure 38 ADC Digital Filter Frequency Response

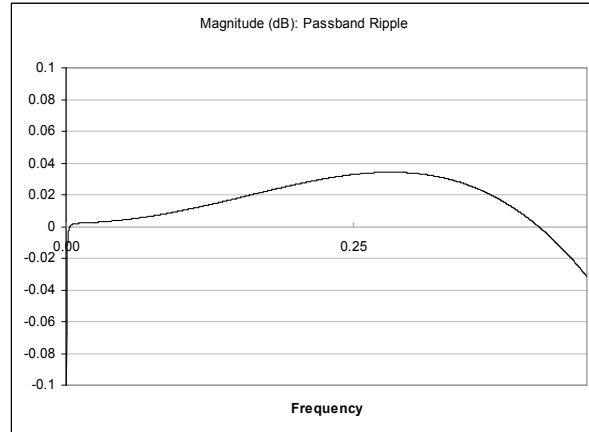


Figure 39 ADC Digital Filter Ripple

DAC FILTER RESPONSES

DAC STOPBAND ATTENUATION

The DAC digital filter type is selected by the DACSLOPE register bit as shown in Table 50.

REGISTER ADDRESS	BIT	LABEL	DEFAULT	DESCRIPTION
R6 (06h) ADC and DAC Control (2)	1	DACSLOPE	0	Selects DAC filter characteristics 0 = Normal mode 1 = Sloping stopband mode

Table 50 DAC Filter Selection

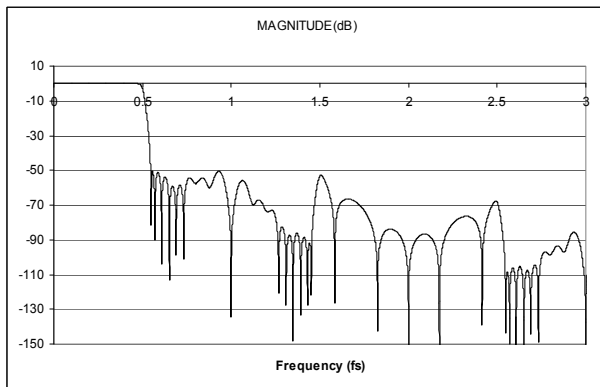


Figure 40 DAC Digital Filter Frequency Response (Normal Mode)

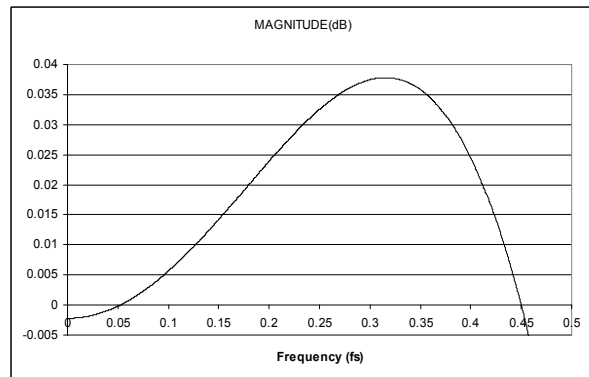


Figure 41 DAC Digital Filter Ripple (Normal Mode)

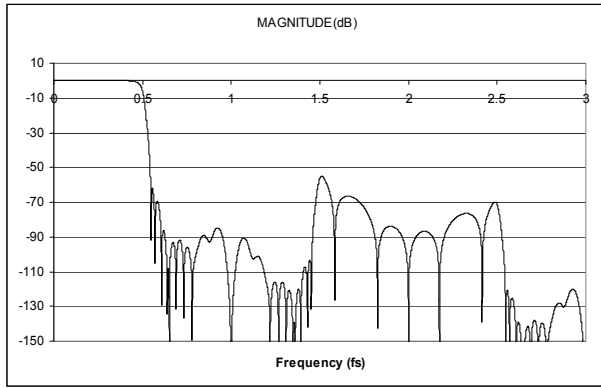


Figure 42 DAC Digital Filter Frequency Response (Sloping Stopband Mode)

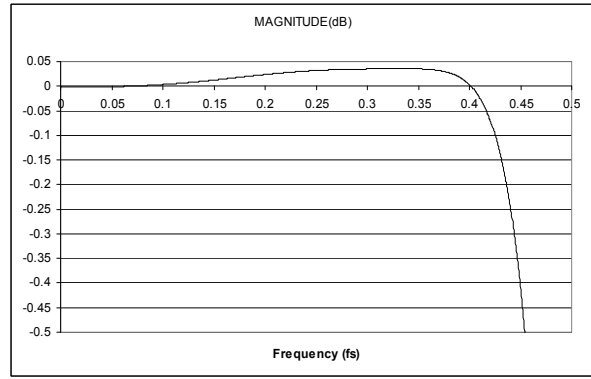


Figure 43 DAC Digital Filter Ripple (Sloping Stopband Mode)

DE-EMPHASIS FILTER RESPONSES

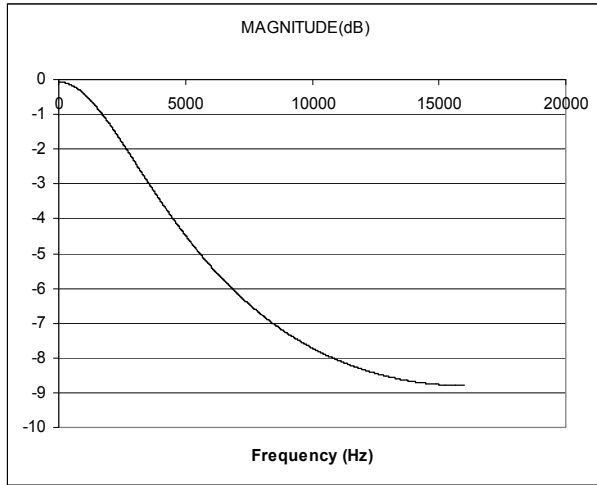


Figure 44 De-Emphasis Digital Filter Response (32kHz)

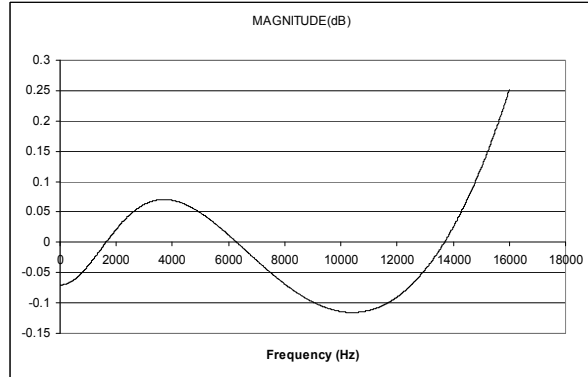


Figure 45 De-Emphasis Error (32kHz)

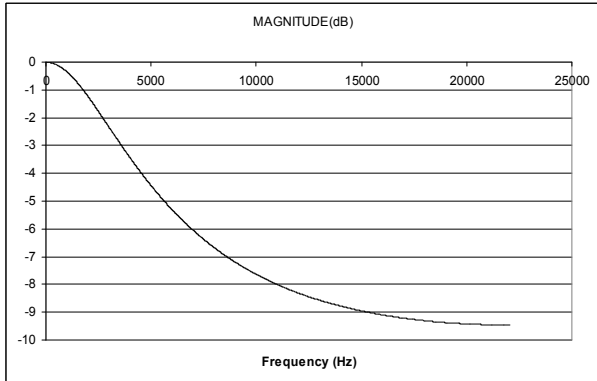


Figure 46 De-Emphasis Digital Filter Response (44.1kHz)

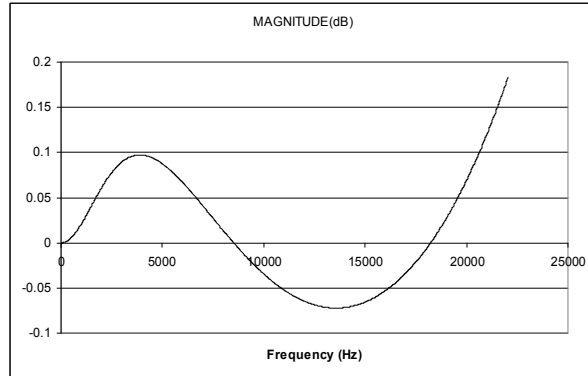


Figure 47 De-Emphasis Error (44.1kHz)

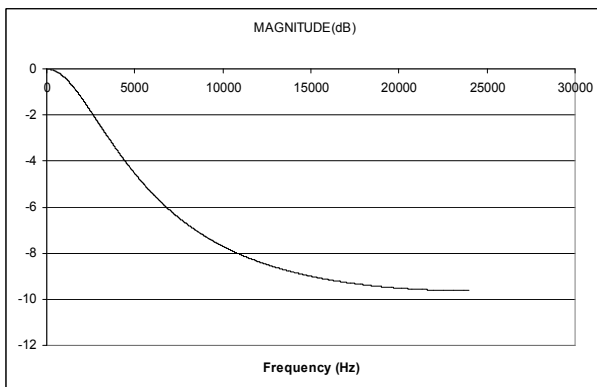


Figure 48 De-Emphasis Digital Filter Response (48kHz)

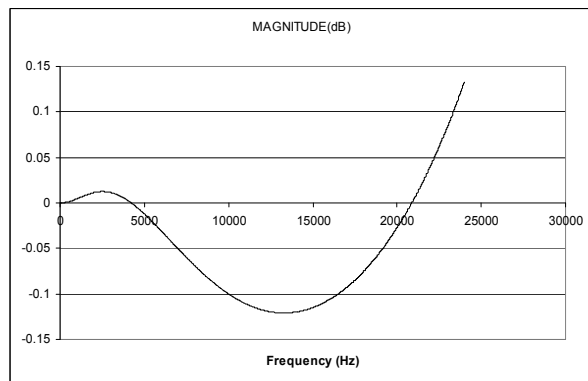
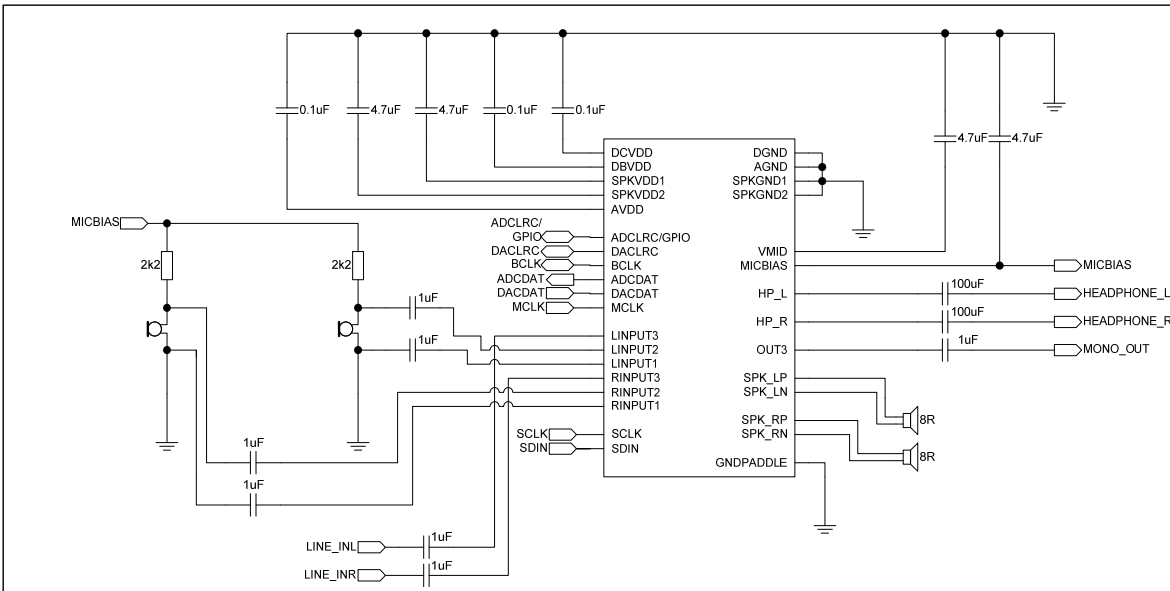


Figure 49 De-Emphasis Error (48kHz)

APPLICATIONS INFORMATION

RECOMMENDED EXTERNAL COMPONENTS



Notes:

1. AGND and DGND should be connected as close to the WM8960 as possible.
2. Supply decoupling capacitors on DCVDD, DBVDD, SPKVDD and AVDD should be positioned as close to the WM8960 as possible.
3. Capacitor types should be carefully chosen. Capacitors with very low ESR are recommended for optimum performance.
4. Microphone common mode noise performance can be improved by adding resistors from the microphone negative terminal to ground.
5. The speakers should be connected as close as possible to the WM8960. When this is not possible, filtering should be placed on the speaker outputs close to the WM8960.

SPEAKER SELECTION

For filterless operation, it is important to select a speaker with appropriate internal inductance. The internal inductance and the speaker's load resistance create a low-pass filter with a cut-off frequency of:

$$f_c = R_L / 2\pi L$$

e.g. for an 8Ω speaker and required cut-off frequency of 20kHz, the speaker should be chosen to have an inductance of:

$$L = R_L / 2\pi f_c = 8\Omega / 2\pi * 20\text{kHz} = 64\mu\text{H}$$

8Ω speakers typically have an inductance in the range 20μH to 100μH. Care should be taken to ensure that the cut-off frequency of the speaker's internal filtering is low enough to prevent speaker damage. The class D outputs of the WM8960 operate at much higher frequencies than is recommended for most speakers, and the cut-off frequency of the filter should be low enough to protect the speaker.

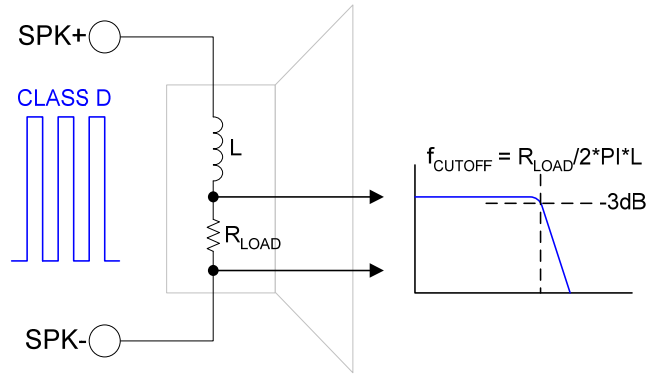
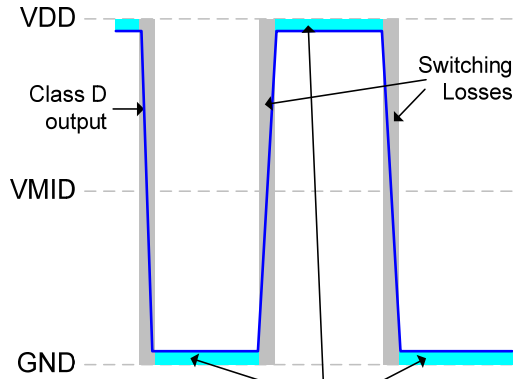


Figure 50 Speaker Equivalent Circuit

PCB LAYOUT CONSIDERATIONS

The efficiency of the speaker drivers is affected by the series resistance between the WM8960 and the speaker (e.g. inductor ESR) as shown in Figure 51. This resistance should be as low as possible to maximise efficiency.



Losses due to resistance between WM8960 and speaker (e.g. inductor ESR)
This resistance must be minimised in order to maximise efficiency.

Figure 51 Speaker Connection Losses

The distance between the WM8960 and the speakers should be kept to a minimum to reduce series resistance, and also to reduce EMI. Further reductions in EMI can be achieved by additional passive filtering and/or shielding as shown in Figure 52. When additional passive filtering is used, low ESR components should be chosen to minimise series resistance between the WM8960 and the speaker, maximising efficiency.

LC passive filtering will usually be effective at reducing EMI at frequencies up to around 30MHz. To reduce emissions at higher frequencies, ferrite beads placed as close to the device as possible will be more effective.

Note: Refer to the application note WAN_0118 on “Guidelines on How to Use QFN Packages and Create Associated PCB Footprints”

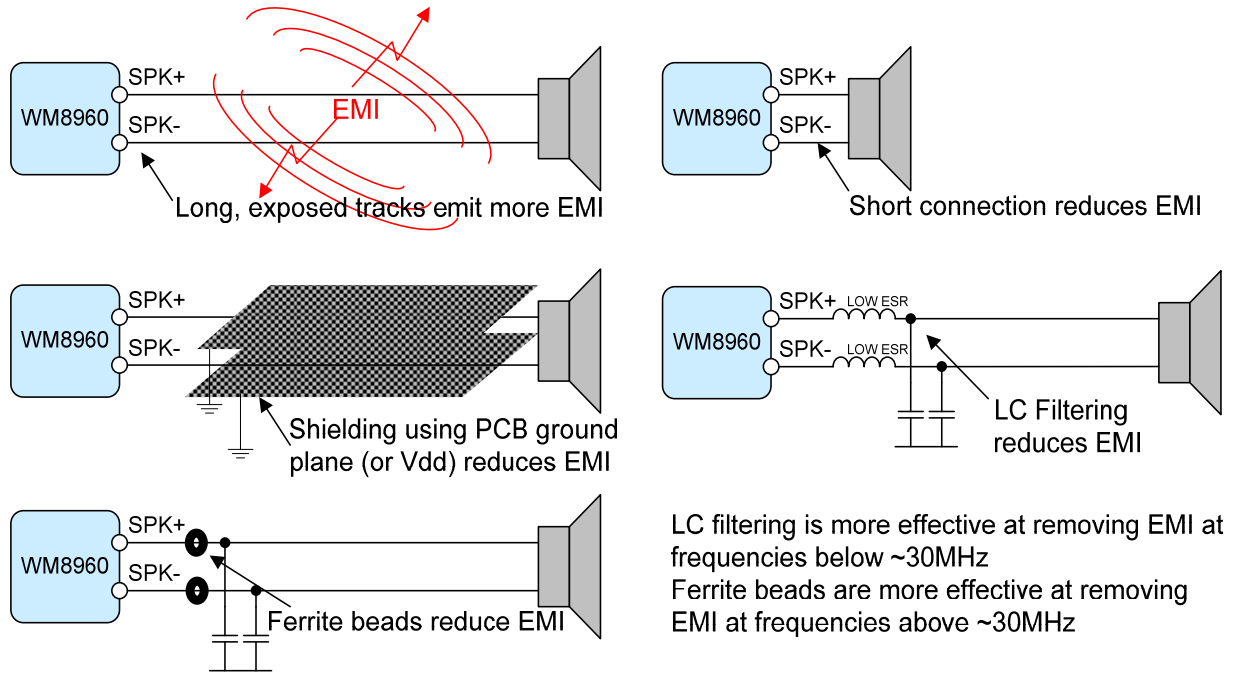
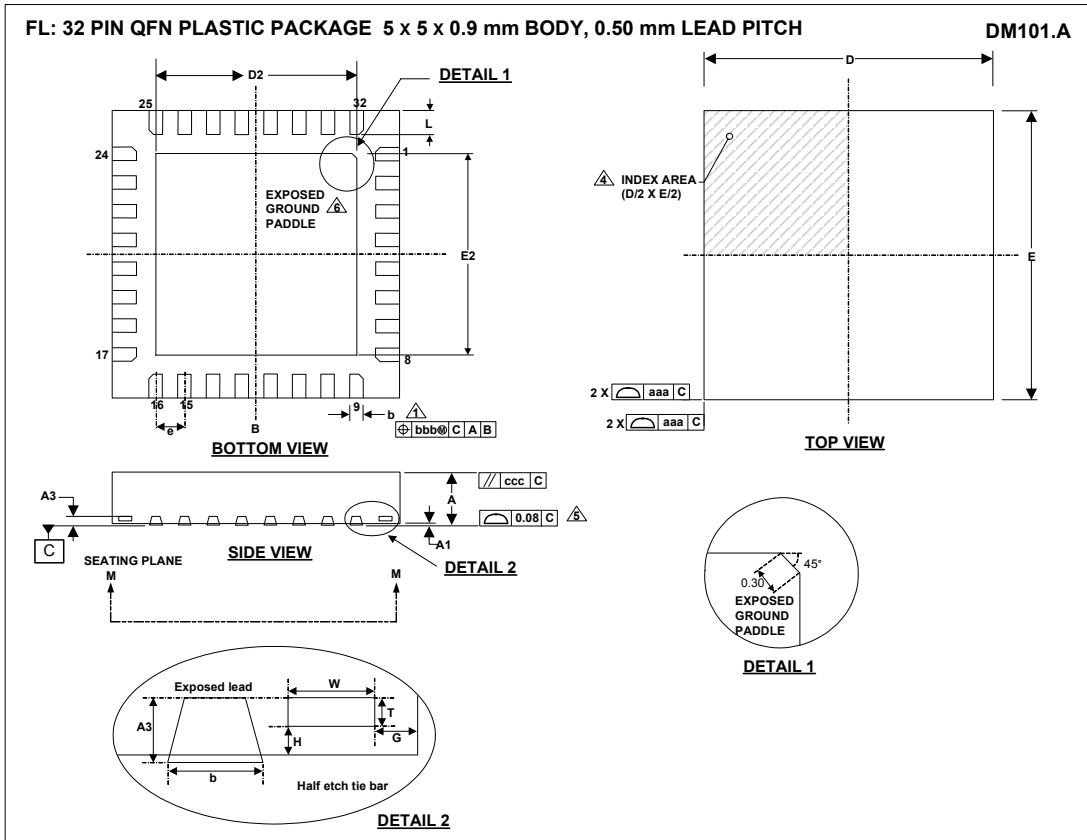


Figure 52 EMI Reduction Techniques

PACKAGE DIMENSIONS



Symbols	Dimensions (mm)			
	MIN	NOM	MAX	NOTE
A	0.80	0.90	1.00	
A1	0	0.02	0.05	
A3		0.203 REF		
b	0.18	0.25	0.30	1
D		5.00 BSC		
D2	3.30	3.45	3.60	2
E		5.00 BSC		
E2	3.30	3.45	3.60	2
e		0.50 BSC		
G		0.20		
H		0.1		
L	0.30	0.40	0.50	
T		0.103		
W		0.15		
Tolerances of Form and Position				
aaa		0.15		
bbb		0.10		
ccc		0.10		
REF:	JEDEC, MO-220, VARIATION VHHD-5.			

- NOTES:**
1. DIMENSION b APPLIES TO METALLIZED TERMINAL AND IS MEASURED BETWEEN 0.15 mm AND 0.30 mm FROM TERMINAL TIP.
 2. FALLS WITHIN JEDEC, MO-220, VARIATION VHHD-5.
 3. ALL DIMENSIONS ARE IN MILLIMETRES.
 4. THE TERMINAL #1 IDENTIFIER AND TERMINAL NUMBERING CONVENTION SHALL CONFORM TO JEDEC 95-1 SPP-002.
 5. COPLANARITY APPLIES TO THE EXPOSED HEAT SINK SLUG AS WELL AS THE TERMINALS.
 6. REFER TO APPLICATION NOTE WAN_0118 FOR FURTHER INFORMATION REGARDING PCB FOOTPRINTS AND QFN PACKAGE SOLDERING.
 7. THIS DRAWING IS SUBJECT TO CHANGE WITHOUT NOTICE.

IMPORTANT NOTICE

Wolfson Microelectronics plc ("Wolfson") products and services are sold subject to Wolfson's terms and conditions of sale, delivery and payment supplied at the time of order acknowledgement.

Wolfson warrants performance of its products to the specifications in effect at the date of shipment. Wolfson reserves the right to make changes to its products and specifications or to discontinue any product or service without notice. Customers should therefore obtain the latest version of relevant information from Wolfson to verify that the information is current.

Testing and other quality control techniques are utilised to the extent Wolfson deems necessary to support its warranty. Specific testing of all parameters of each device is not necessarily performed unless required by law or regulation.

In order to minimise risks associated with customer applications, the customer must use adequate design and operating safeguards to minimise inherent or procedural hazards. Wolfson is not liable for applications assistance or customer product design. The customer is solely responsible for its selection and use of Wolfson products. Wolfson is not liable for such selection or use nor for use of any circuitry other than circuitry entirely embodied in a Wolfson product.

Wolfson's products are not intended for use in life support systems, appliances, nuclear systems or systems where malfunction can reasonably be expected to result in personal injury, death or severe property or environmental damage. Any use of products by the customer for such purposes is at the customer's own risk.

Wolfson does not grant any licence (express or implied) under any patent right, copyright, mask work right or other intellectual property right of Wolfson covering or relating to any combination, machine, or process in which its products or services might be or are used. Any provision or publication of any third party's products or services does not constitute Wolfson's approval, licence, warranty or endorsement thereof. Any third party trade marks contained in this document belong to the respective third party owner.

Reproduction of information from Wolfson datasheets is permissible only if reproduction is without alteration and is accompanied by all associated copyright, proprietary and other notices (including this notice) and conditions. Wolfson is not liable for any unauthorised alteration of such information or for any reliance placed thereon.

Any representations made, warranties given, and/or liabilities accepted by any person which differ from those contained in this datasheet or in Wolfson's standard terms and conditions of sale, delivery and payment are made, given and/or accepted at that person's own risk. Wolfson is not liable for any such representations, warranties or liabilities or for any reliance placed thereon by any person.

ADDRESS:

Wolfson Microelectronics plc
26 Westfield Road
Edinburgh
EH11 2QB
United Kingdom

Tel :: +44 (0)131 272 7000

Fax :: +44 (0)131 272 7001

Email :: sales@wolfsonmicro.com

REVISION HISTORY

DATE	REV	ORIGINATOR	CHANGES
23/09/11	4.1	JMacD	Order codes changed from WM8960GEFL/V and WM8960GEFL/RV to WM8960CGEFL/V and WM8960CGEFL/RV to reflect change to copper wire bonding.
23/09/11	4.1	JMacD	Package Diagram changed to DM101.A.
20/08/13	4.2	JMacD	WM8960CGEFL/2RV added to Order Code information.

Mouser Electronics

Authorized Distributor

Click to View Pricing, Inventory, Delivery & Lifecycle Information:

[Wolfson Microelectronics:](#)

[WM8960-6158-FL32-M](#) [WM8960-6158-FL32-M-S](#)