

LC3

ACRYLIC LASERDIODE COLLIMATOR

3 Φ Collimating Lens for Laser Diode

1. Injection Molded Plastic (PMMA)

2. Aspheric Surfaces Design

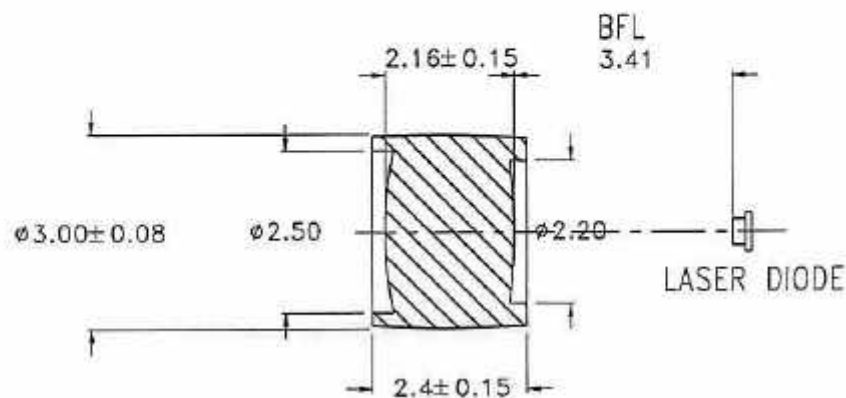
3. Design Wavelength 650nm

4. F-Number 1.80

5. BFL 3.41mm

6. Clear Aperture 2.5mm

7. Lens Diagram



ROITHNER LASERTECHNIK

A-1040 WIEN, FLEISCHMANNGASSE 9

TEL: +43 -1- 586 52 43 FAX: +43 -1- 586 41 43

e-mail: office@roithner-laser.com <http://www.roithner-laser.com>