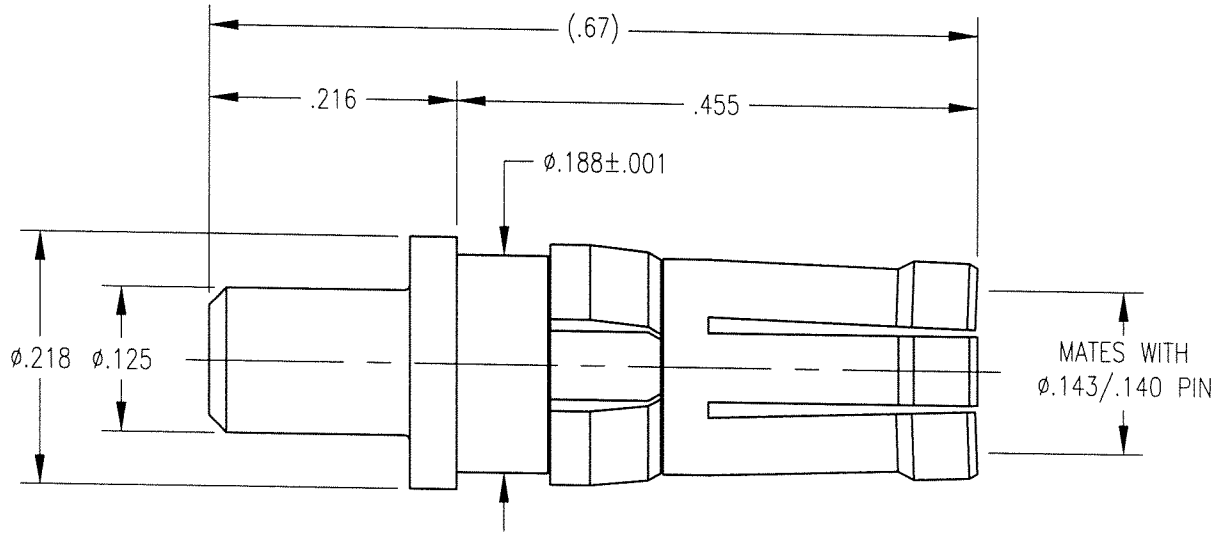


DWG. NO. 221-010-0045G

REV	DESCRIPTION	BY DATE	APPD
B	ECN 2520	9/27/00 MJP	1/57



NOTES:

1. MATERIALS:

BODY: BERYLLIUM COPPER PER ASTM B196  
 CLIP RING: BERYLLIUM COPPER PER ASTM B194

2. FINISH:

BODY: .000030 MIN. GOLD PER MIL-G-45204 OVER  
 .000050 MIN. NICKEL PER QQ-N-290  
 CLIP RING: .000100 MIN. NICKEL PER QQ-N-290 OVER  
 COPPER FLASH

PER ASME Y14.5M-1994 UNLESS OTHERWISE SPECIFIED: DIMENSIONS ARE IN INCHES (MM)		<b>Litton</b>	
TOLERANCES: DECIMALS xx ± .01/0.254 xxx ± .005/0.127 ANGLES ± 2°		Winchester/Retconn 400 Park Road Watertown, Connecticut 06795	
<b>CUSTOMER DRAWING</b>		TITLE RDM HIGH POWER PC RECEPTACLE 40 AMP	
DRAWN JED	DATE 2/18/98	CHECKED JMC	DATE 2/18/98
APPROVED AT	DATE 2/18/98	APPROVED AT	DATE 2/18/98
A		221-010-0045G	SHT. OF REV. 1 OF 1 B