

**38**mm sq.

# San Ace 38

48mm thick (CRA type)



## General Specifications

- Material ..... Frame: Plastics (Flammability: UL94V-0),  
Impeller: Plastics (Flammability: UL94V-1)
- Expected Life ..... Refer to specifications (L10:Survival rate:90% at 60°C ,  
rated voltage, and continuously run in a free air state)
- Lead Wire ..... Inlet ⊕red ⊖black (Sensor) yellow (Control) brown  
Outlet ⊕orange ⊖gray (Sensor) purple (Control) white
- Storage Temperature ..... -30°C to +70°C (Non-condensing)

**38×38×48**mm (Mass : 80g) **CRA type**

## Specifications

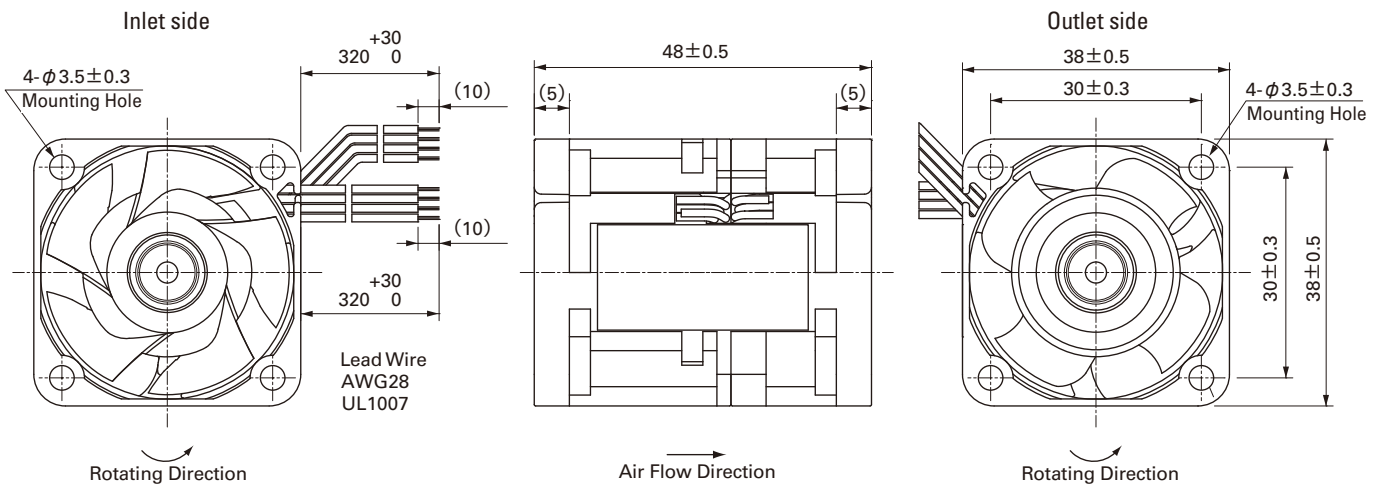
The following nos. have PWM controls and pulse sensors.

Model No.	Rated Voltage [V]	Operating Voltage Range [V]	PWM duty cycle※ [%]	Rated Current [A]	Rated Input [W]	Rated Speed [min <sup>2</sup> ] Inlet Outlet	Max. Air Flow [m <sup>3</sup> /min] [CFM]	Max. Static Pressure [Pa] [inchH <sub>2</sub> O]	SPL [dB(A)]	Operating Temperature [°C]	Expected Life [h]
9CRA0312P4K03	12	10.8 to 13.2	100	1.5	18.0	17,600 14,520	0.77 27.2	700.0 2.81	64	-20 to +70	40,000
0			0.2	2.4	5,280 4,200	0.22 7.8	54.9 0.22	33			
9CRA0312P4J03			100	1.1	13.2	16,000 13,200	0.7 24.7	560.0 2.25	62		
0			0.18	2.2	4,800 3,960	0.21 7.4	50.4 0.20	31			

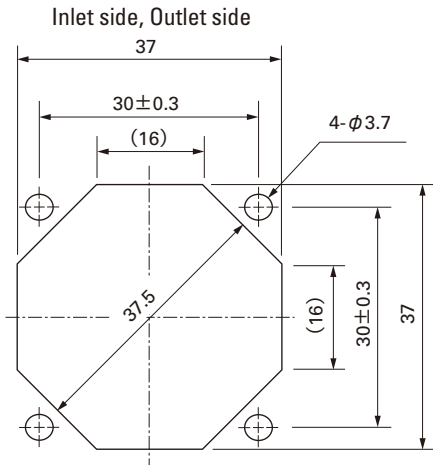
Available options: ⇒ **Without Sensor** **Pulse Sensor**

※PWM Frequency : 25kHz

## Dimensions (Unit : mm)

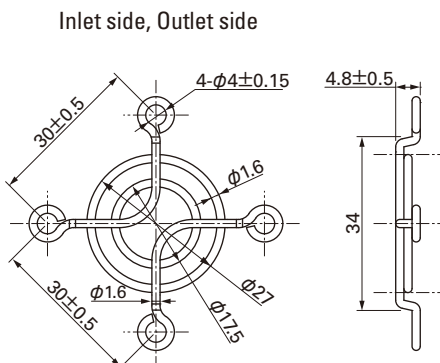


## Reference dimension of mounting holes and vent opening (Unit : mm)



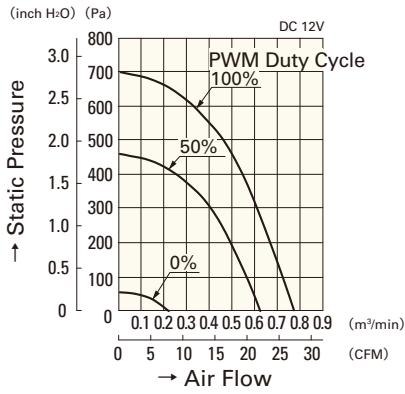
## Options (Unit : mm)

**Finger guards**  
Model : 109-1065 Surface treatment : Nickel-chrome plating (silver) Color

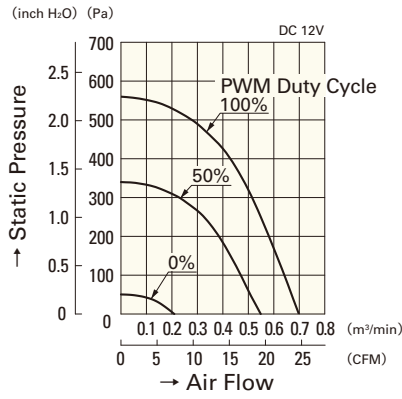


## Air Flow - Static Pressure Characteristics

### PWM Duty Cycle

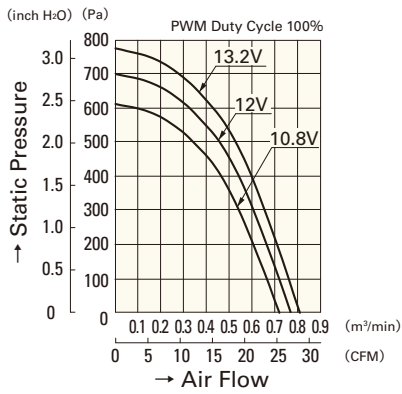


**9CRA0312P4K03**

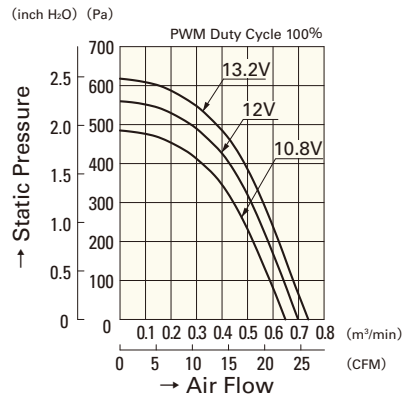


**9CRA0312P4J03**

### Operating Voltage Range

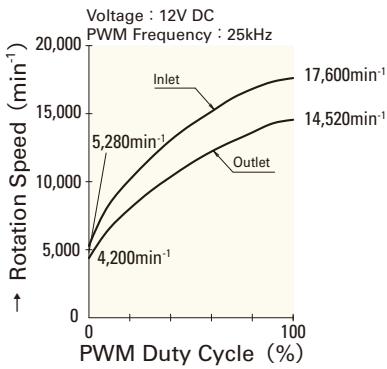


**9CRA0312P4K03**

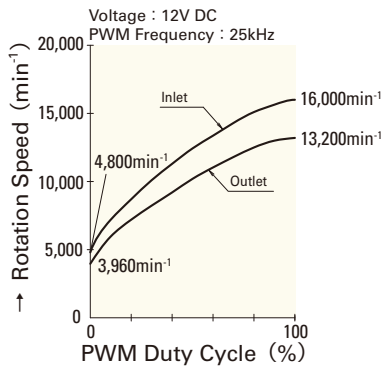


**9CRA0312P4J03**

## PWM Duty - Speed Characteristics Example



**9CRA0312P4K03**



**9CRA0312P4J03**