

POSITIONS/ CONTACTS	A		B	
	INCH	MM	INCH	MM
02/04	0.100	2.54	0.220	5.58
03/06	0.200	5.08	0.320	8.12
04/08	0.300	7.62	0.420	10.66
05/10	0.400	10.16	0.520	13.20
06/12	0.500	12.70	0.620	15.74
07/14	0.600	15.24	0.720	18.28
08/16	0.700	17.78	0.820	20.82
09/18	0.800	20.32	0.920	23.36
10/20	0.900	22.86	1.020	25.90
11/22	1.000	25.40	1.120	28.44
12/24	1.100	27.94	1.220	30.98
13/26	1.200	30.48	1.320	33.52
14/28	1.300	33.02	1.420	36.06
15/30	1.400	35.56	1.520	38.60
16/32	1.500	38.10	1.620	41.14
17/34	1.600	40.64	1.720	43.68
18/36	1.700	43.18	1.820	46.22
19/38	1.800	45.72	1.920	48.76
20/40	1.900	48.26	2.020	51.30
21/42	2.000	50.80	2.120	53.84
22/44	2.100	53.34	2.220	56.38
23/46	2.200	55.88	2.320	58.92
24/48	2.300	58.42	2.420	61.46
25/50	2.400	60.96	2.520	64.00
26/52	2.500	63.50	2.620	66.54
27/54	2.600	66.04	2.720	69.08
28/56	2.700	68.58	2.820	71.62
29/58	2.800	71.12	2.920	74.16
30/60	2.900	73.66	3.020	76.70
31/62	3.000	76.20	3.120	79.24
32/64	3.100	78.74	3.220	81.78
33/66	3.200	81.28	3.320	84.32
34/68	3.300	83.82	3.420	86.86
35/70	3.400	86.36	3.520	89.40
36/72	3.500	88.90	3.620	91.94
37/74	3.600	91.44	3.720	94.48
38/76	3.700	93.98	3.820	97.02
39/78	3.800	96.52	3.920	99.56
40/80	3.900	99.06	4.020	102.10

**PART NUMBER CODING**

**xPxCxx2LJBN-RC**

**NUMBER OF POSITIONS**

(CONTACTS PER ROW, 2 THRU 40)

**PLATING**

P = GOLD FLASH OVERALL

T = TIN OVERALL

**INSULATOR MATERIAL**

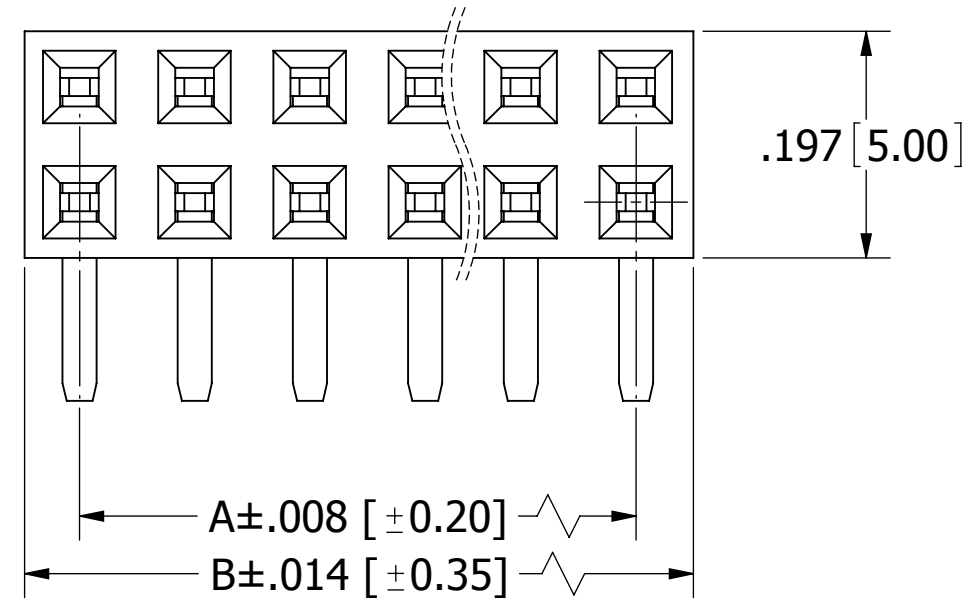
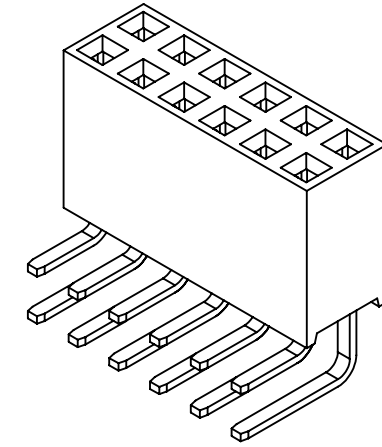
P = POLYESTER, UL 94V-0.

\*PROCESSING TEMP. = 210° C FOR 5 SECS.

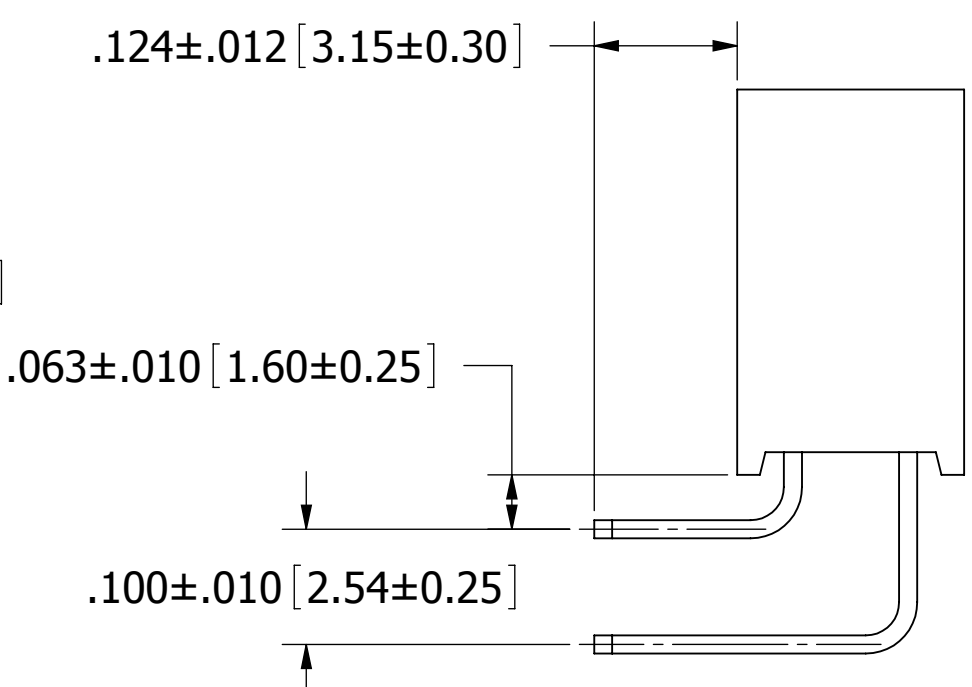
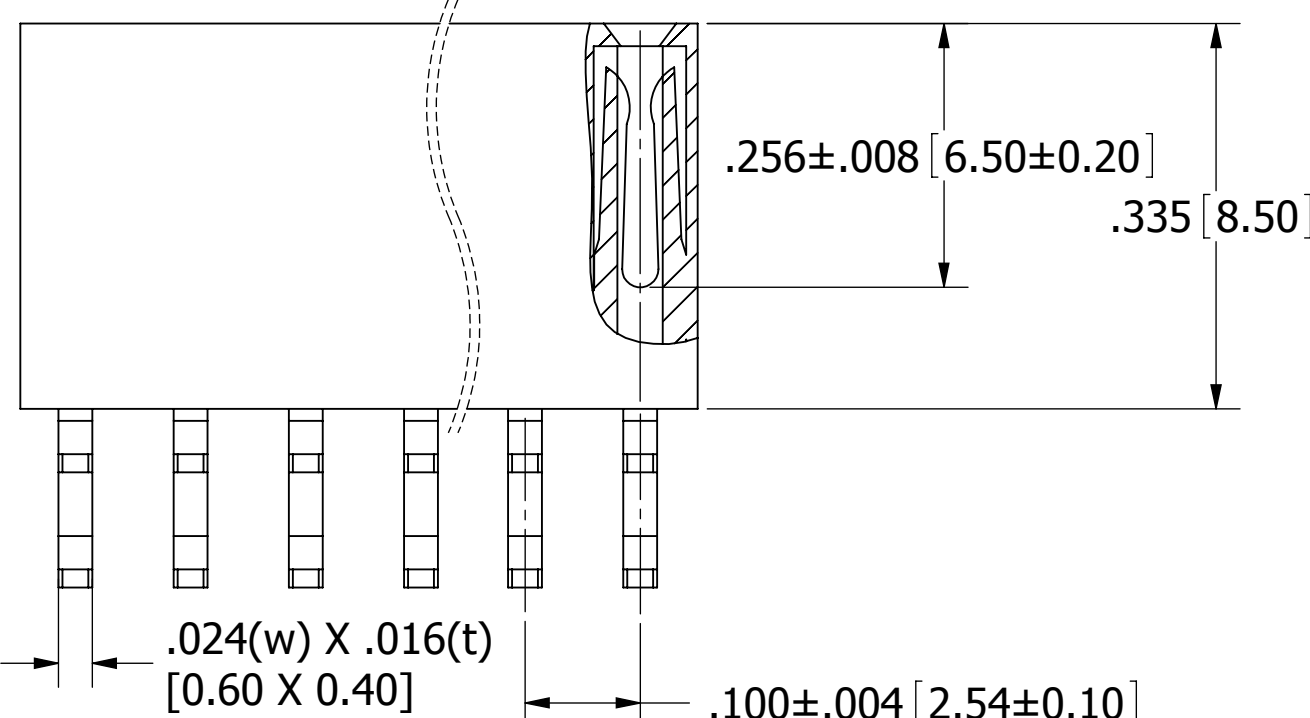
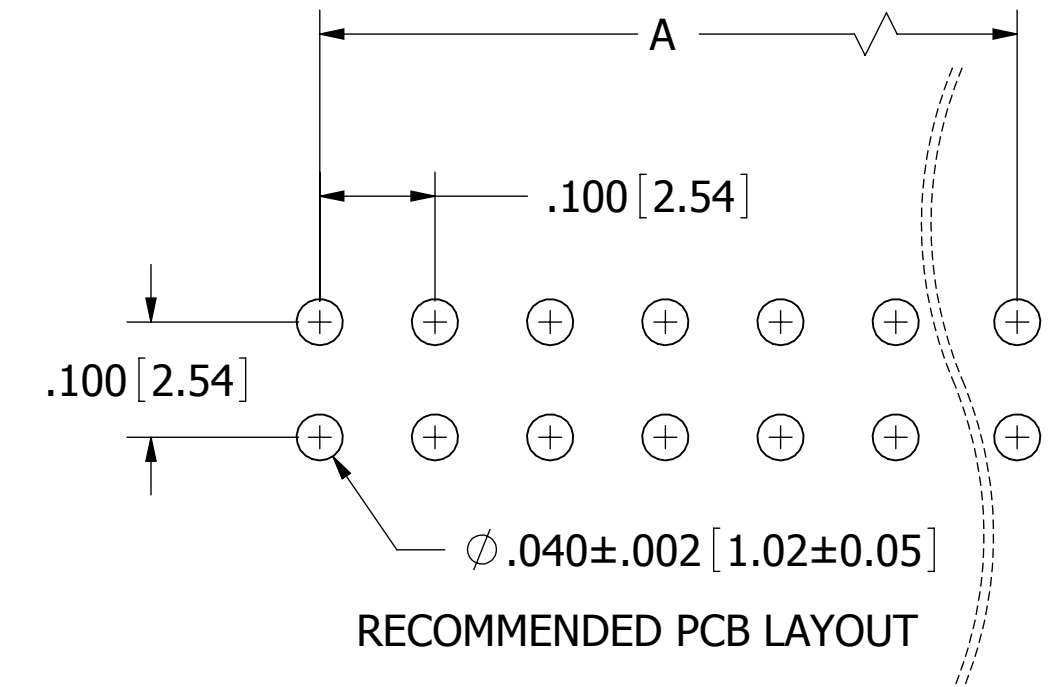
N = NYLON 6T.

\*PROCESSING TEMP. = 260° C FOR 10 SECS.

REVISIONS				
REV.	ECO. NO	DESCRIPTION	DATE	BY
A	648	INITIAL RELEASE	6/15/2005	TT
B	679	REMOVED KEY, FROM 3.2 TO 3.15	7/13/2005	TT
C	1126	UPDATE SPECIFICATION	9/12/2006	MV
D	1869	UPDATE CONTACT DEPTH TO 6.5mm, TOLERANCE & TEXT	12/23/2008	JH



02-20, 0.20mm MAX.  
21-40, 0.30mm MAX.



- NOTES:**
1. INSULATOR MATERIAL: SEE PART NUMBER CODING.
  2. CONTACT MATERIAL: PHOSPHOR BRONZE.
  3. CONTACT PLATING: SEE PART NUMBER CODING.
  4. CURRENT RATING: 3 AMPS
  5. INSULATOR RESISTANCE: 5000 MEGOHMS MIN.
  6. CONTACT RESISTANCE: 20 MILLIOHMS MAX.
  7. DIELECTRIC WITHSTANDING: AC 500V.
  8. OPERATING TEMPERATURE: -40° C TO +105° C.

\*INDICATED TEMPERATURE AND TIME IS FOR COMPONENT INSULATOR. HIGHER PROCESSING TEMPERATURES MAY BE USED, PROVIDED HEAT IS APPLIED FROM BACK SIDE OF PCB, AND INSULATOR DOES NOT EXCEED INDICATED TEMPERATURE AND TIME.



UNLESS OTHERWISE SPECIFIED: DIMENSIONS ARE IN INCHES[MM] TOLERANCES: ANGULAR: ± 5° .XX = ± .014 [.35] .XXX = ± .008 [.20]		DATE 12/15/08	NAME JH	
SURFACE FINISH: 63 R <sub>a</sub> REMOVE ALL BURRS AND SHARP EDGES .010 MAX		THE INFORMATION HEREIN CONTAINS PROPRIETARY INFORMATION OF SULLINS ELECTRONICS AND IS NOT TO BE REPRODUCED, USED OR DISCLOSED TO OTHERS FOR ANY PURPOSE EXCEPT AS SPECIFICALLY AUTHORIZED IN WRITING BY AN OFFICER OF SULLINS ELECTRONICS.		
INTERPRET DIMENSIONS AND GEOMETRIC TOLERANCING PER: ANSI Y14.5M-1994		DESCRIPTION HEADER FEMALE, 2.54mm CC, 2 ROWS, RA <b>PART NUMBER</b> <b>xPxCxx2LJBN-RC</b>		SIZE <b>C</b>
		DWG. NO. <b>10494</b>		REV <b>D</b>
		SCALE: 8:1		SHEET 1 OF 1