

**PLEASE CHECK WWW.MOLEX.COM FOR LATEST PART INFORMATION**

**Part Number:** **0507528000**  
**Status:** **Active**  
**Description:** Crimp Terminal 50752, 22-28 AWG, Reel

**Documents:**

<a href="#">3D Model</a>	<a href="#">Product Specification PS-51103-024 (PDF)</a>
<a href="#">Drawing (PDF)</a>	<a href="#">Product Specification PS-51163-001 (PDF)</a>
<a href="#">Product Specification PS-51103-007 (PDF)</a>	<a href="#">RoHS Certificate of Compliance (PDF)</a>

**General**

Product Family	Crimp Terminals
Series	<u>50752</u>
Crimp Quality Equipment	Yes
Product Name	N/A

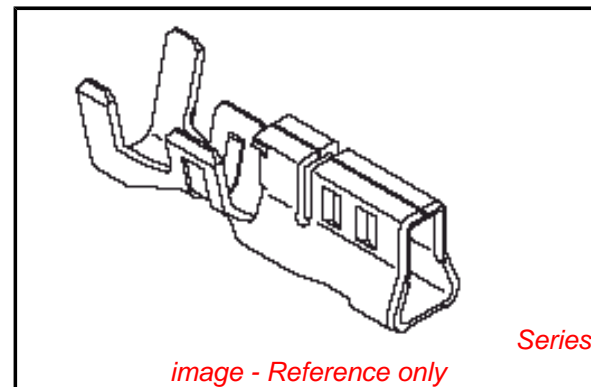
**Physical**

Gender	Female
Material - Metal	Phosphor Bronze
Material - Plating Mating	Tin
Packaging Type	Reel
Termination Interface: Style	Crimp or Compression
Wire Insulation Diameter	1.15-1.80mm (.045-.071")
Wire Size AWG	22, 24, 26, 28
Wire Size mm <sup>2</sup>	N/A

**Material Info**

**Reference - Drawing Numbers**

Product Specification	PS-51103-007, PS-51103-024, PS-51163-001, RPS-500292-001, RPS-51103-028, RPS-51103-030, RPS-51103-031, RPS-51103-035, RPS-51103-045, RPS-51103-049, RPS-51103-057, RPS-51163-001, RPS-51163-003
Sales Drawing	SD-50752-8*00



*image - Reference only*

**EU RoHS**

**ELV and RoHS Compliant**  
**REACH SVHC Contains SVHC: No**  
**Halogen-Free Status**

**China RoHS**



**Halogen-Free**

**Need more information on product environmental compliance?**

Email [productcompliance@molex.com](mailto:productcompliance@molex.com)  
 For a multiple part number RoHS Certificate of Compliance, [click here](#)

Please visit the [Contact Us](#) section for any non-product compliance questions.

**Search Parts in this Series**

[50752Series](#)

**Application Tooling | [FAQ](#)**

*Tooling specifications and manuals are found by selecting the products below. Crimp Height Specifications are then contained in the Application Tooling Specification document.*

**Global**

Description	Product #
FineAdjust™ Applicator	<a href="#">0638605000</a>

**Japan**

Description	Product #
Applicator for M211A Bench Press, 22-28 AWG, for 50752 Crimp Terminal	<a href="#">0573853000</a>

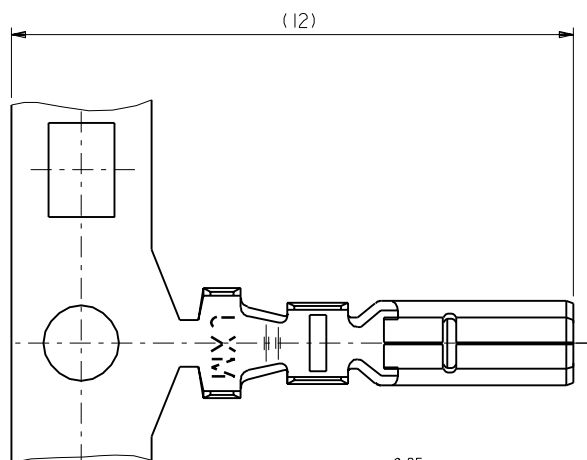
E

D

C  
DIMENSIONS IN METRIC DO NOT SCALE DRAWING

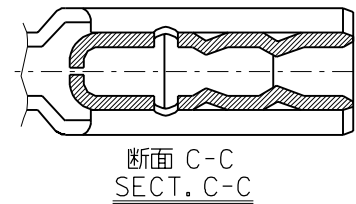
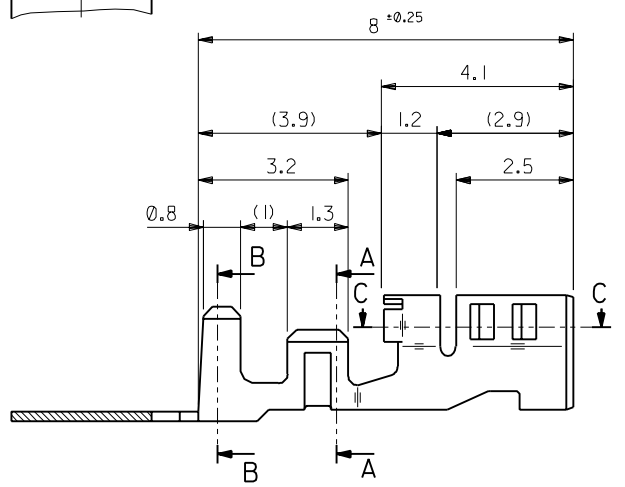
B

A

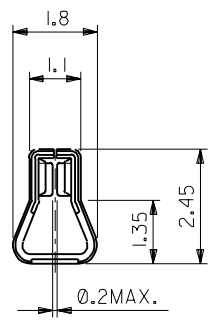


注記  
NOTES

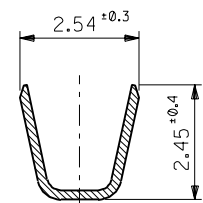
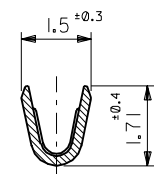
- 適合ハウジング : 51163,51103 シリーズ  
APPLICABLE HOUSING : 51163,51103 SERIES  
適合リテーナー : 51164 シリーズ  
APPLICABLE RETAINER : 51164 SERIES
- 材料 : リン青銅, 錫メッキ材 (t=0.2)  
MATERIAL : PRE-TINNED PHOSPHOR BRONZE (t=0.2)



断面 C-C  
SECT. C-C



断面 A-A  
SECT. A-A



断面 B-B  
SECT. B-B

50752-8100	バラ状 LOOSE
50752-8000	連鎖状 CHAIN
ENG. NO.	端子形状 FORM

角度 ANGLE	±3°	材料 MATERIAL	注記2 参照 SEE NOTE 2
30°以上 OVER	+0.3	仕上げ FINISH	—H—
10°以上 30°未満 UNDER	+0.25	適用電線範囲 WIRE RANGE	AWG #22-28
10°未満 UNDER	+0.2	被覆外径 INS. RANGE	Ø 1.15-1.8
一般公差 GENERAL TOLERANCES	記号 LTR	新機作成 PROPOSED	DRW'N BY '97/11/26 S.AIHARA
	変更内容 REVISION RECORD	DR. CHK.	CHK'D BY '97/11/27 T.ITO
		日付 DATE	APP'D BY '97/11/27 M.FUKUSHIMA
		尺度 SCALE	10 : 1

molex MOLEX-JAPAN CO.,LTD. 日本モレックス株式会社	
REVISE ONLY ON CAD SYSTEM	
TITLE 名称	
2.5 WIRE TO BOARD CONN. CRIMP RECEPTACLE	
DWG. NO.	REV
SD-50752-8*00	0