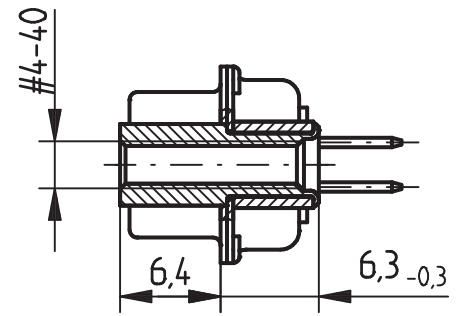


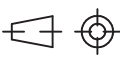

Schnitt A-A /
cross section A-A



Zubehör: Gewindebolzen/Hülse
accessories: threaded bolt/sleeve

Fehlende Masse und Angaben siehe DIN 41652 / Missing information and dimensions according to DIN 41652
Sonstige Angaben siehe Fertigungsunterlagen / Additional indications please see the production documentation

Consider protection memo from DIN 34

| | | | | |
|---|--|--|-------|-----|
| Information: | Tolerances |  All Dimensions in mm | Scale | 2:1 |
| All rights reserved. Only for information. To insure that this is the latest version of this drawing, please contact one of the ERNI companies before using. | Subject to modification without prior notice. Drawing will not be updated. | Designation TMC-S 37-TL-6.0 TMC-S 37-TL-6.0 | | |
| |  www.ERNI.com | 100100150001 | | K |
| Index | Date | M:00067048.SZA | TMC | |