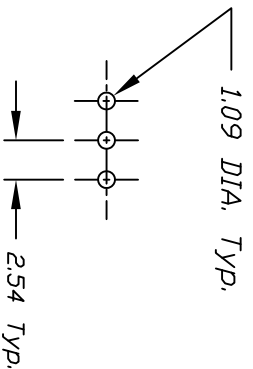
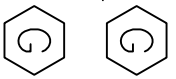
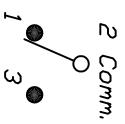
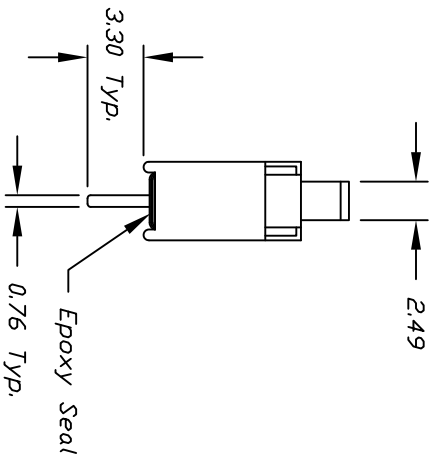
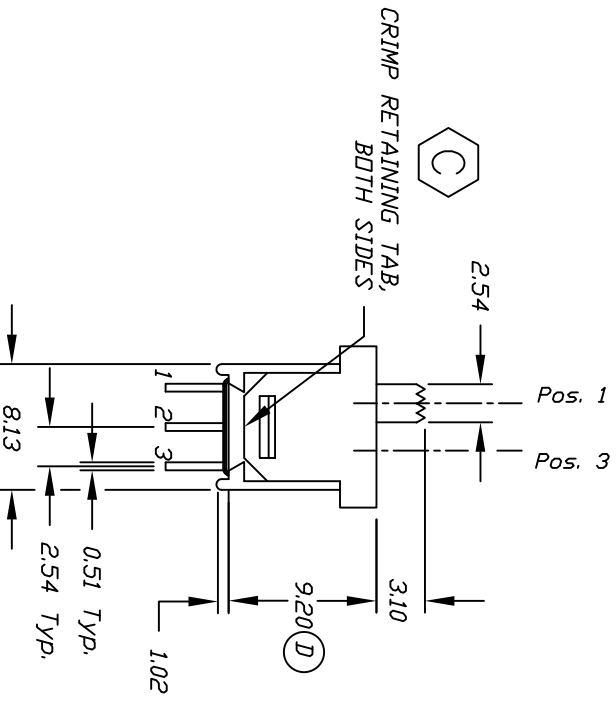


- NOTES:
1. ALL DIMENSIONS IN MM
 2. TERM. NOS. FOR REF. ONLY
 3. RATING: 3A @120VAC DR 28VDC
1A @250VAC
 4. CRIMP METAL RETAINING BRACKET
 5. 2002/95/EC (ROHS) COMPLIANT
 6. GENERAL TOLERANCE: X.XX=±0.4
X.XXX=±0.25



RECOMMEND P.C.B. LAYOUT



CIRCUIT: SPDT

CONTACT CONFIGURATION

| SWITCH FUNCTION | |
|-----------------|--------|
| POS. 1 | POS. 3 |
| DN | DN |
| 2-1 | 2-3 |

| REV. | ECN | DESCRIPTION | DATE | CHK |
|------|-------|----------------------------|----------|-----|
| G | 20794 | EDIT RATING, ADD TOLERANCE | 10/11/12 | EBP |
| F | 15955 | EDIT RATING | 4/11/06 | CT |
| E | 15823 | EDIT RATING | 2/27/06 | PH |
| D | 15427 | CHANGED FROM 8.79 | 10/21/05 | PH |
| C | | ADDED NOTES | 7/5/05 | JB |
| B | | REVISED & REDRAWN | | |
| REV. | ECN | DESCRIPTION | DATE | CHK |

THE INFORMATION CONTAINED IN THIS DOCUMENT IS PROPRIETARY TO E-SWITCH AND IS NOT TO BE COPIED OR TRANSFERRED

E-SWITCH®

500A SSP-1 M2 Q E

SCALE: 2:1 DATE: 12/12/97 DR: MM DWG: T551002 REV: G