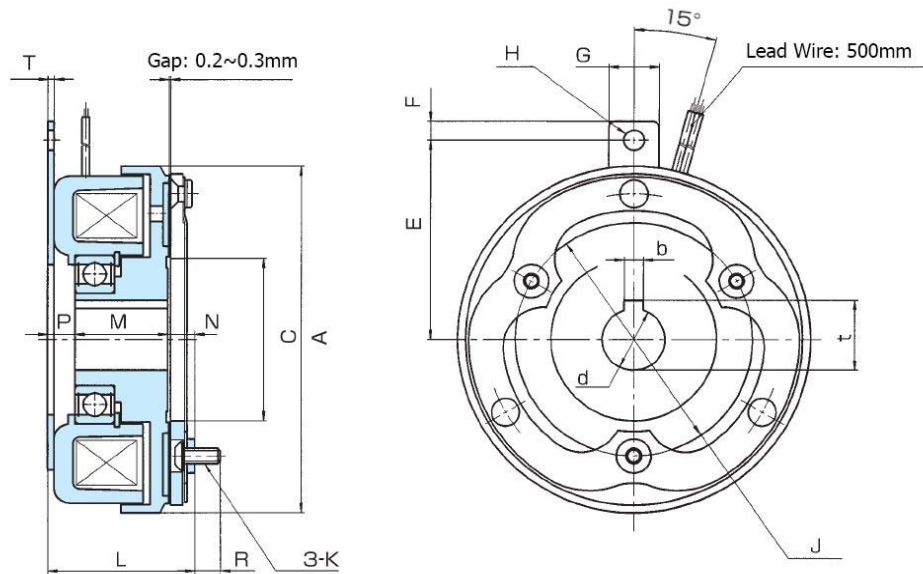


VCEH / VCSH

EM Clutch (high torque design)

Types: 0.6, 1.2, 2.5, 5

[EM: Electromagnet]



[Special Order]

VCEH / VCSH		0.6		1.2		2.5		5	
Type		VCEH	VCSH ¹	VCEH	VCSH ¹	VCEH	VCSH ¹	VCEH	VCSH ¹
Static Torque [ft-lbs / N-m]		5.2 / 7		11 / 15		22 / 30		44 / 60	
Coil (20°C)	Voltage [DC-V]	24							
	Current [A]	0.59		0.69		1.04		1.41	
	Resistance [Ω]	41		35		23		17	
	Wattage [W]	14		17		25		33	
Armature	Pull-In Time [ms]	15		15		25		40	
	Release Time [ms]	25		35		55		75	
Torque Build-Up Time [ms]		45		45		65		80	
Max Allowable Speed [rpm]		7000		6000		5500		4500	
Moment of Inertia (J) [kg-cm ²]	Rotor	0.9	1	2.6	2.9	8.1	9.1	24.1	27
	Armature	0.5	0.5	1.5	1.6	4.8	5.1	14.3	15.1
Max Air Gap Until Adjustment [mm]		0.5		0.6		0.7		0.8	
Total Energy Until Adjustment [J]		2.9 × 10 ⁷		6.6 × 10 ⁷		13 × 10 ⁷		26 × 10 ⁷	
Total Energy Until Life [J]		13 × 10 ⁷		25 × 10 ⁷		49 × 10 ⁷		88 × 10 ⁷	
Bore [mm]	dH7	12		15		20		25	
Key Way [mm]	bJs9	4		5		6		8	
	t	13.8+0.15/-0		17.3+0.15/-0		22.8+0.15/-0		28.3+0.2/-0	
Dimensions [mm]	A	70		90		113		142	
	C	35		45		53		66	
	E	41		56		65		78	
	F	5		6		6		6	
	G	14		16		16		16	
	H	4.5		5.5		6.5		6.5	
	J	46		60		76		95	
	K	M3		M4		M5		M6	
	L	37	37.5	41.1	41.6	47	47.9	50	51
	M	24		26.5		30		33.5	
	N	5.5	6	6.6	7.1	8.5	9.4	10	11
	P	7.5		8		8.5		6.5	
	R	5.8	5.4	7	6.6	8.2	7.6	10.4	9.6
T	1.6		2		2		2		
Weight [lbs / kg]		1.3 / 0.6		2.4 / 1.1		4.9 / 2.2		7.9 / 3.6	

[Included parts & accessories : bolts, washers, spacers, shims, surge protector]

[1 inch = 25.4 mm]

[Note 1 : Silent type]