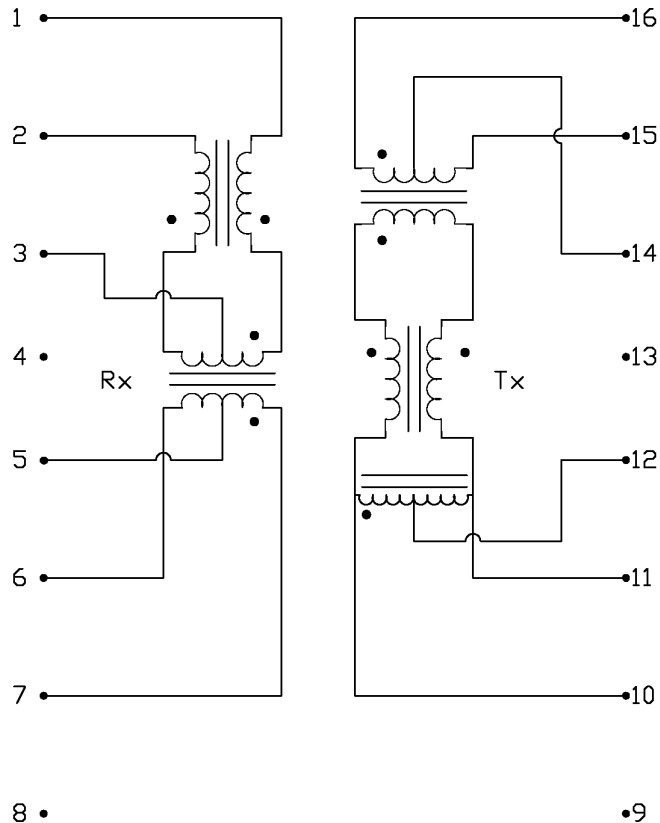


THE INFORMATION CONTAINED HEREIN IS CONSIDERED "PROPRIETARY" TO BEL FUSE INC. AND SHALL NOT BE COPIED, REPRODUCED OR DISCLOSED WITHOUT THE WRITTEN APPROVAL OF BEL FUSE INC.

ELECTRICAL CHARACTERISTICS @ 25°C



SCHEMATIC



URNS RATIO

(1-3-2) : (7-5-6)  
(16-14-15) : (10-12-11)

1CT : 1CT  
1CT : 1CT

PHASING

1 TO 7 AND 16 TO 10 IN PHASE

OCL

(7-6) OPEN 1 & 2  
(10-11) OPEN 16 & 15

420uH MIN. AT 100kHz, 100mV  
WITH 8mA DC BIAS

INSERTION LOSS

1.0dB MAX AT 100kHz TO 80MHz

RETURN LOSS

MEASURED UNDER A 100 Ω  
ENVIRONMENT (16-15) TO (10-11)  
(6-7) TO (1-2)

FREQ	2MHz	10MHz	30MHz	45MHz	60MHz	80MHz
MIN.	20dB	20dB	19dB	16dB	13dB	12dB

RETURN LOSS

MEASURED UNDER 25 AND 100 Ω  
IMPEDANCE ENVIRONMENT ACROSS  
(16-14) AND (10-11)  
RESPECTIVELY

17dB MIN AT 5MHz & 10MHz

CMDR

40dB MIN AT 100kHz TO 50MHz  
30dB MIN ABOVE 50M TO 100MHz

CROSSTALK

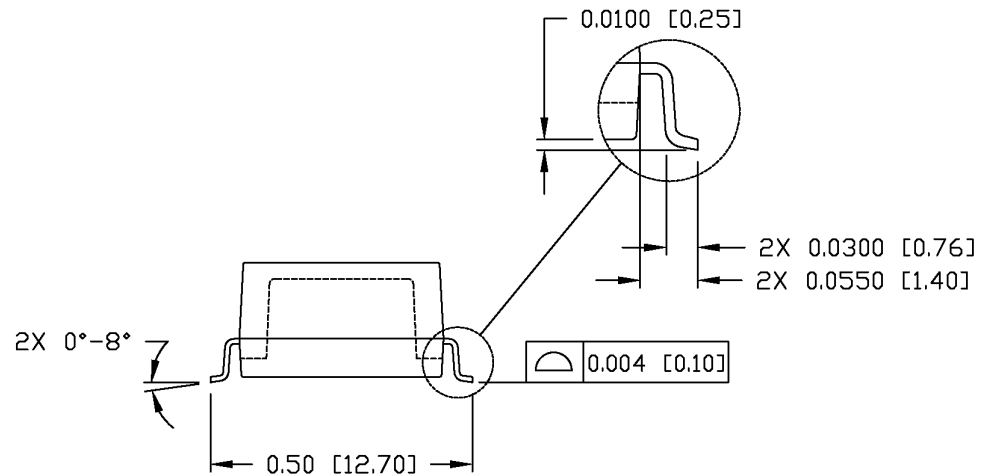
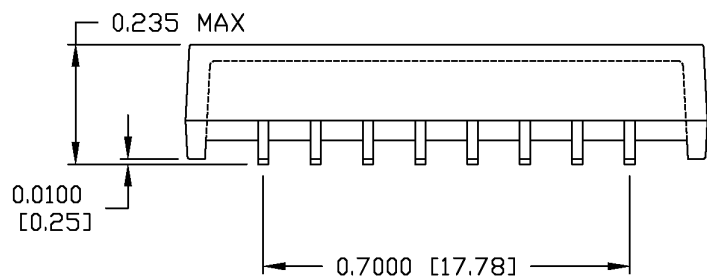
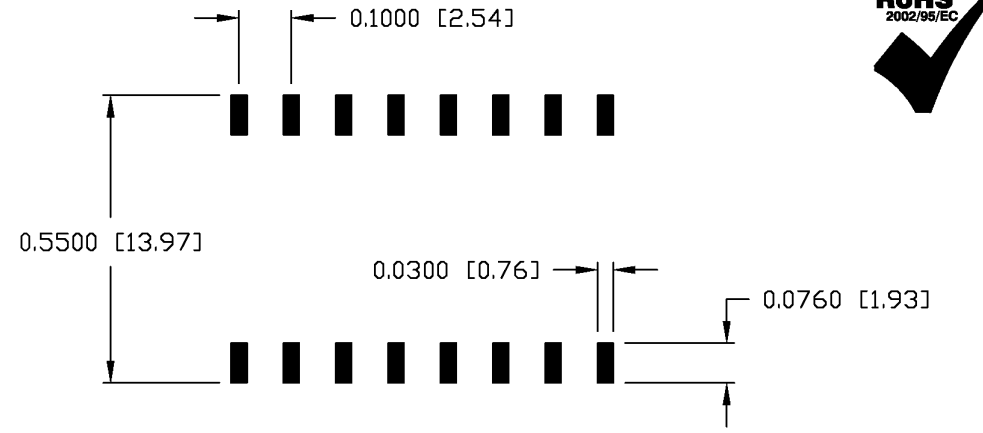
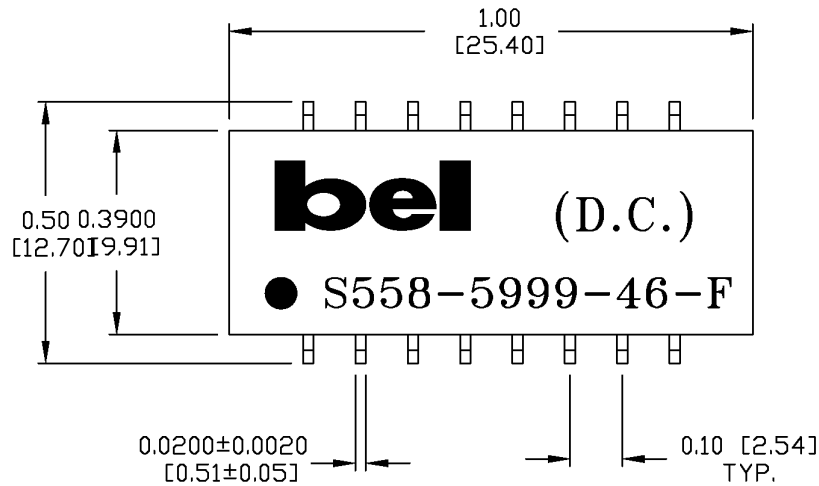
HIPOT

30dB MIN AT 100kHz TO 100MHz  
PER HAND-WORK-03

DRWN DQ Chen	DATE 01-26-05	TITLE ELECTRICAL SPECIFICATION	PART NO. / DRAWING NO. X558599946-F	STANDARD DIM. TOL. IN INCH .X .XX .XXX	[ ] METRIC DIM. AS REFERENCE UNIT : INCH [mm] SCALE : N/A	REV. : A SIZE : A4 PAGE : 2	COMPONENTS FOR A CONNECTED PLANET
CHKD HQ	DATE 01-26-05	TITLE S558-5999-46-F	FILE NAME X558599946FA.DWG				

THE INFORMATION CONTAINED HEREIN IS CONSIDERED "PROPRIETARY" TO BEL FUSE INC. AND SHALL NOT BE COPIED, REPRODUCED OR DISCLOSED WITHOUT THE WRITTEN APPROVAL OF BEL FUSE INC.

SUGGESTED PCB PAD LAYOUT



NOTES:

- STANDARD MARKING REFER TO DOC. HAND-WORK-04.
- PACKAGE CODE: "RNS001".

DRWN	DATE	TITLE	PART NO. / DRAWING NO.	STANDARD DIM. TOL. IN INCH		[ ] METRIC DIM. AS REFERENCE		REV. :	bel
				.X		UNIT : INCH [mm]	SIZE : A4		
DQ Chen	01-26-05	MECHANICAL DRAWING	X558599946-F	.XX	±0.01	SCALE : N/A	SIZE : A4		COMPONENTS FOR A CONNECTED PLANET
CHKD	DATE	S558-5999-46-F	FILE NAME	.XXX	±0.005		PAGE : 3		
HQ	01-26-05		X558599946FADWG						

FORM NO. - ENG02082001